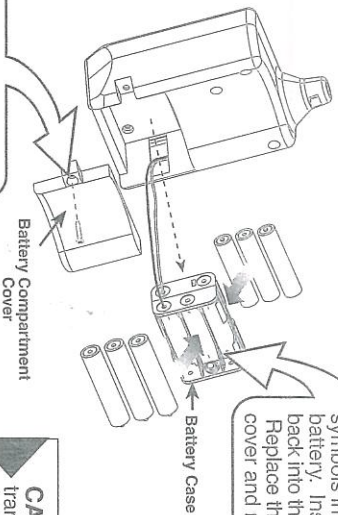


INSTALLING THE BATTERIES

TRANSMITTER (Requires 6-'AAA' Alkaline Batteries - Sold Separately)

NOTE:

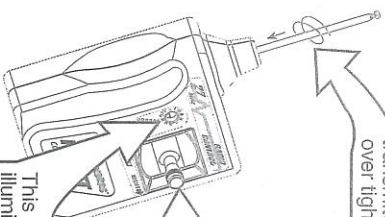
The Sky Rangers™ transmitter does not have an 'on/off' switch. The transmitter turns 'ON' when the control stick is moved left or right and is always 'OFF' when the stick is centered.



Insert six new 'AAA' Alkaline batteries into the battery case as shown. Match the '+' and '-' symbols in the case with each battery. Insert the battery case back into the battery compartment. Replace the battery compartment cover and reinstall the screw.

Remove the screw and battery compartment cover from the back of the transmitter case. Pull out the battery case from the battery compartment.

CAUTION: When operating the transmitter, always have the antenna fully extended. Be careful when the antenna is extended - DO NOT bend or break. KEEP AWAY from face and eyes. When not in use, fully collapse the antenna.

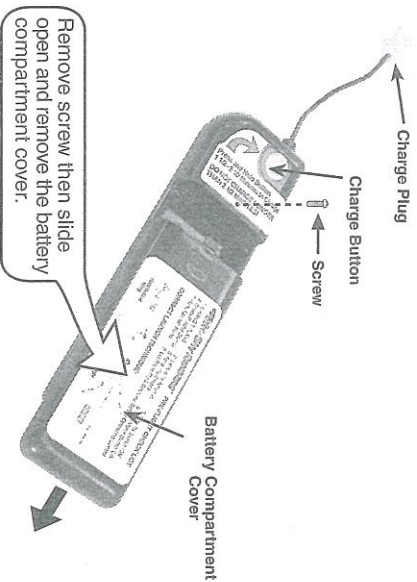


Screw the antenna into the top of the transmitter. Tighten finger tight - DO NOT over tighten.

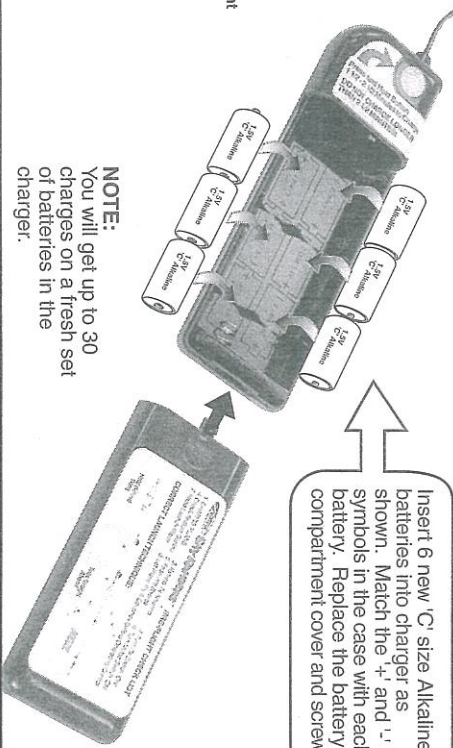
This Control Stick moves only left or right. You will be using it to control the flight path of your Sky Rangers™ Plane. We show you how this control works in this Instruction Manual.

This LED (indicating power is 'on') will illuminate when the control stick is moved left or right. If it fails to light, DO NOT attempt to operate your Sky Rangers™ Plane. Check the batteries for correct polarity, replacing the batteries if required. If the LED fails to light after checking or replacing the batteries call Pappy's Flight School at 1-800-451-0339.

BATTERY CHARGER (Requires 6-'C' Alkaline Batteries - Sold Separately)

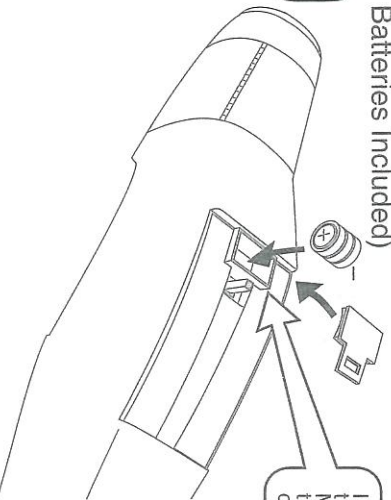
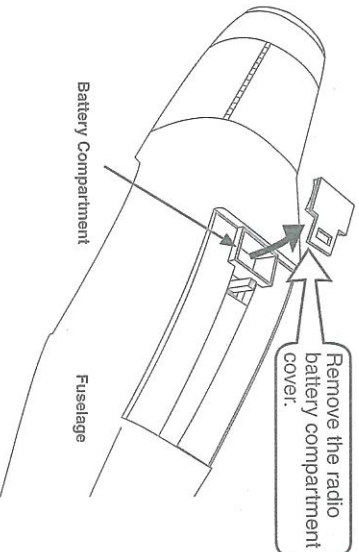


NOTE:
You will get up to 30 charges on a fresh set of batteries in the charger.



Insert 6 new 'C' size Alkaline batteries into charger as shown. Match the '+' and '-' symbols in the case with each battery. Replace the battery compartment cover and screw.

SKY RANGERS™ PLANE (6-Button Cell Batteries Included)



Insert the 3 button cell batteries into the battery compartment as shown. Match the '+' and '-' symbols located in the compartment. Replace the battery compartment cover.

REPLACEMENT BATTERIES:

Eveready: 375
Duracell: D375
Rayovac: R375

NOTE:

These batteries will provide up to 20 flights before requiring replacement. Keep a flight log to track the number of flights and replace batteries after 20 flights.

Battery Caution:

Always insert batteries in the correct polarity. Do not use rechargeable batteries. Do not mix Alkaline, standard (carbon - zinc) or rechargeable batteries.

Do not recharge non-rechargeable batteries. Do not mix old and new batteries. Always remove old or dead batteries.

If Sky Rangers™ will be stored for long periods, remove batteries from plane, transmitter and charger.