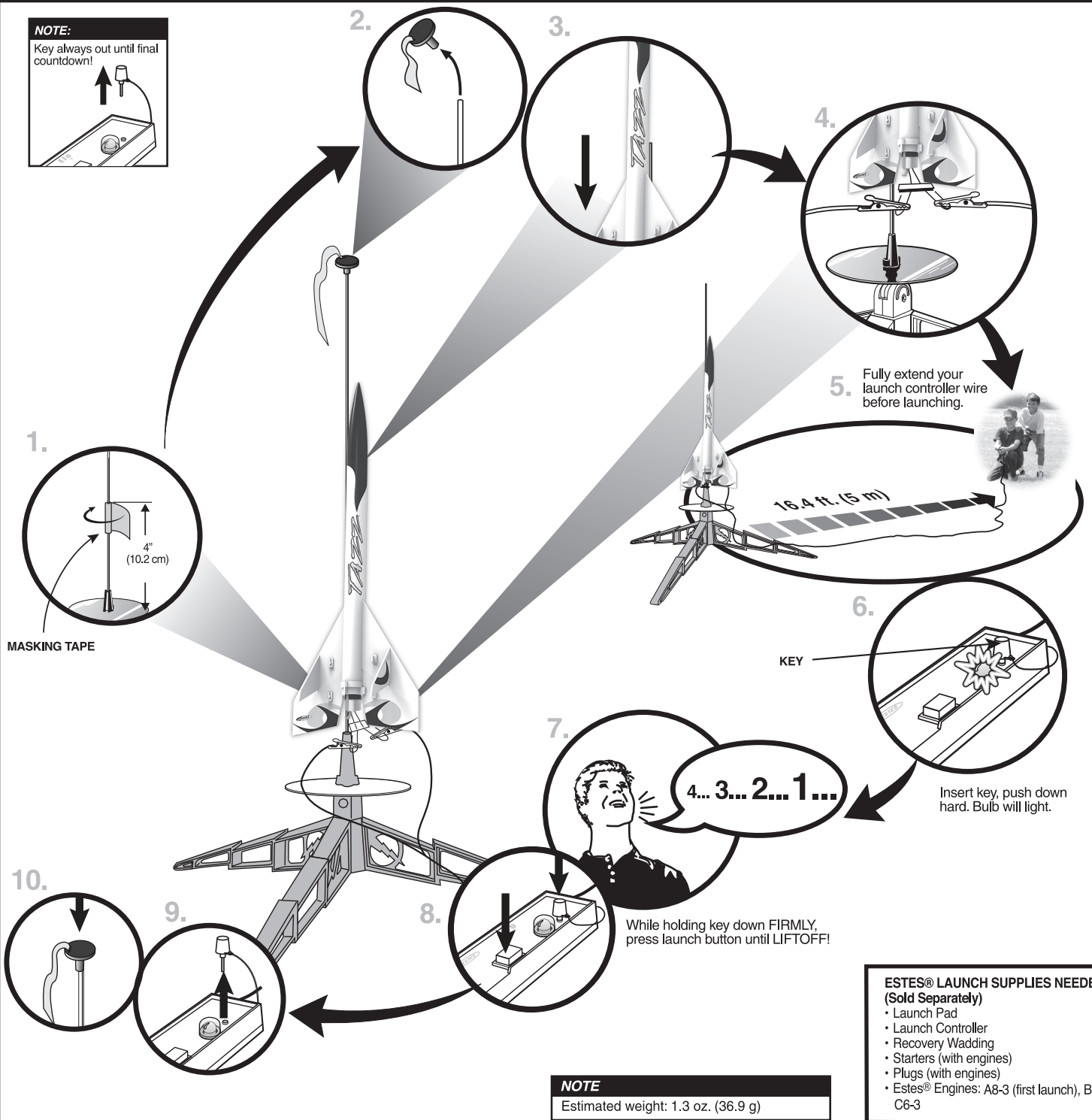


NOTE:
Key always out until final countdown!



NOTE
Estimated weight: 1.3 oz. (36.9 g)

- ESTES® LAUNCH SUPPLIES NEEDED (Sold Separately)**
- Launch Pad
 - Launch Controller
 - Recovery Wadding
 - Starters (with engines)
 - Plugs (with engines)
 - Estes® Engines: A8-3 (first launch), B6-4, C6-3

PRECAUTIONS



PRE-LAUNCH CHECK For safety, never launch a damaged rocket. Check the rocket's body, nose cone and fins. Also, check the engine mount, recovery system and launch lug(s). Repair any damage before launching the rocket.
FLYING YOUR ROCKET Choose a large field (500 ft. [152 m] square) free of dry weeds and brown grass. The larger the launch area, the better your chance of recovering your rocket. Football fields and playgrounds are great. Launch only with little or no wind and good visibility. Always follow the National Association of Rocketry (NAR) SAFETY CODE (enclosed).
MISFIRES TAKE THE KEY OUT OF THE CONTROLLER. WAIT ONE MINUTE BEFORE GOING NEAR THE ROCKET! Disconnect the starter clips and remove the engine. Take the plug and starter out of the engine. If the starter has burned, it worked but did not ignite the engine because it was not touching the propellant inside the engine. Put a new starter all the way inside the engine without bending it. Push the plug in place. Repeat the steps under Countdown and Launch.



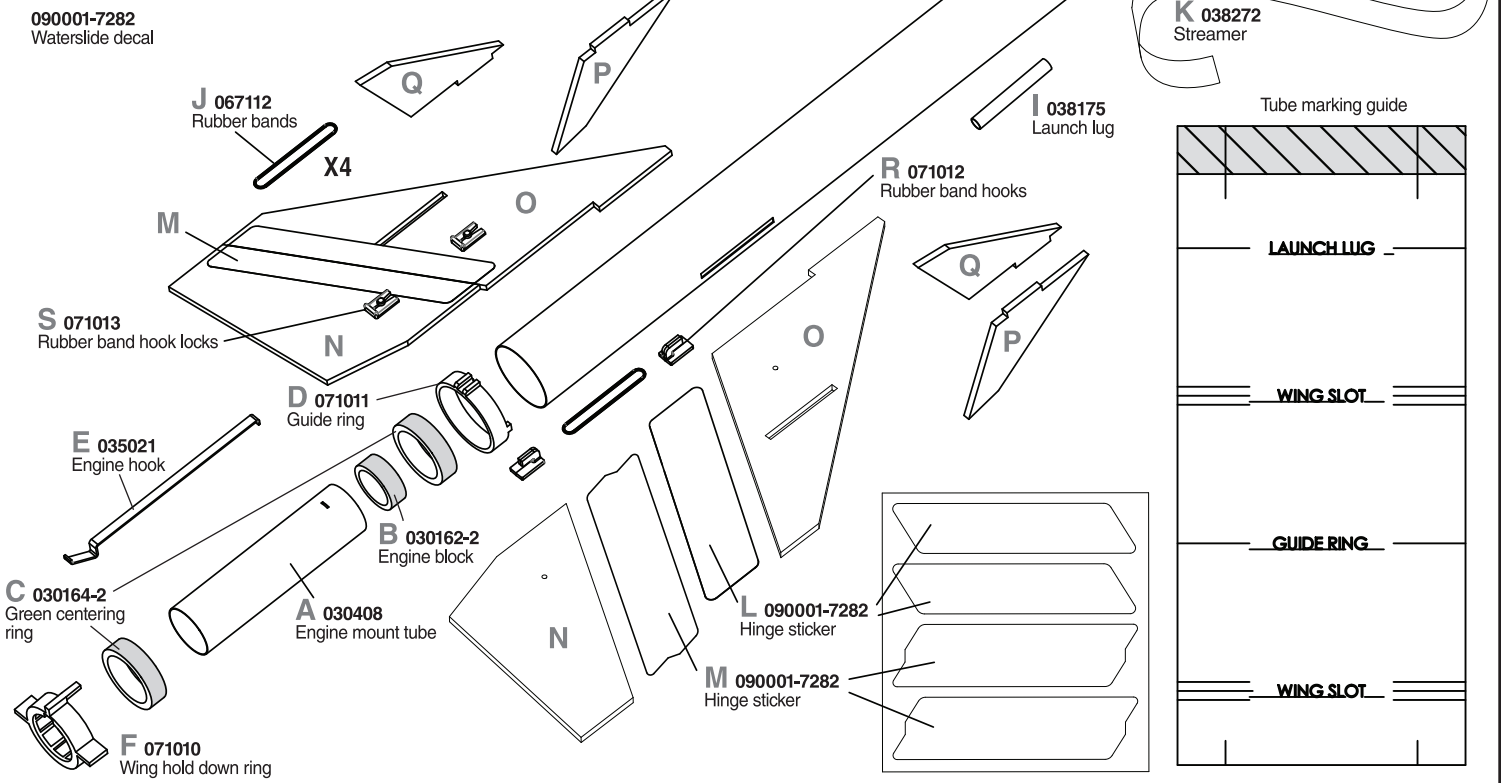
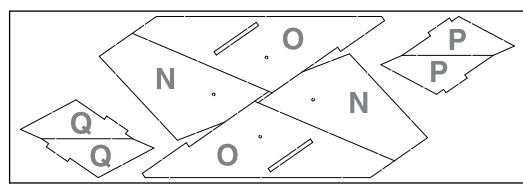
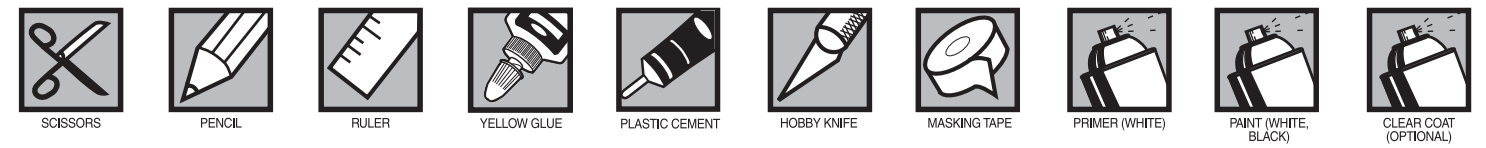
MODEL ROCKET INSTRUCTIONS

KEEP FOR FUTURE REFERENCE

IMPORTANT: Please record date found on decal and keep for future reference. _____

READ ALL INSTRUCTIONS. Make sure you have all parts and supplies. Test fit all parts before applying glue.

SUPPLIES



ASSEMBLE ENGINE MOUNT

1. Measure and mark **A**.
Glue **B** into end of **A**.
 2. Stretch the inside diameter of the 2 **C**'s by pushing down and twisting them back and forth over **H**.
 - 3.
 - 4.
 - 5.
 6. Apply glue fillets. Smooth with Finger. Let dry.
-

ASSEMBLE WING HOLD DOWN RING

- 1.
 2. Rotate **F** so plastic tabs are aligned as shown.
- Plastic tab
- Plastic tab
- Let dry.
-

ATTACH NOSE CONE AND MARK BODY TUBE

1. Let dry.
 - 2.
 - 3.
 4. Remove guide. Use door frame to extend all lines. Mark lightly.
- Let dry.
- TAPE
- DOOR FRAME
-

NOTE:
Cut from page 1.

PREPARE SPIN TABS FOR RECOVERY

1. Loop **J** around **R**.
 2. Loop another **J** around **R** on opposite side of rocket.
 3. Check if spin tabs activate properly when engine mount is removed from rocket.
-

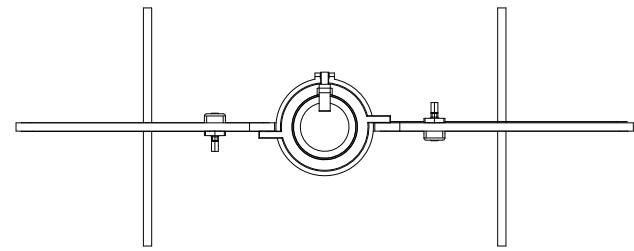
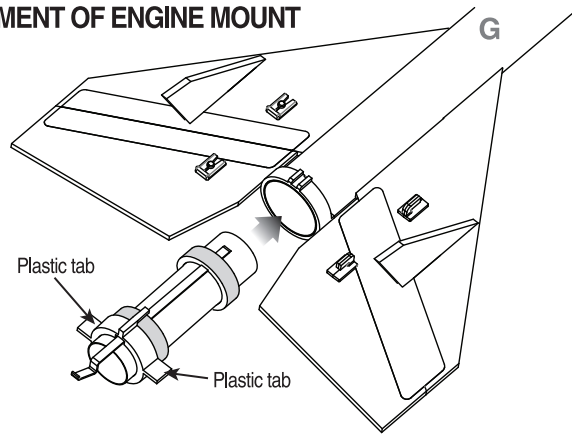
PREPARE ENGINE

1. STARTER
PLUG
Use 1 each.
 - 2.
 3. TIP MUST TOUCH PROPELLANT!
 - 4.
 - 5.
-

WARNING: FLAMMABLE

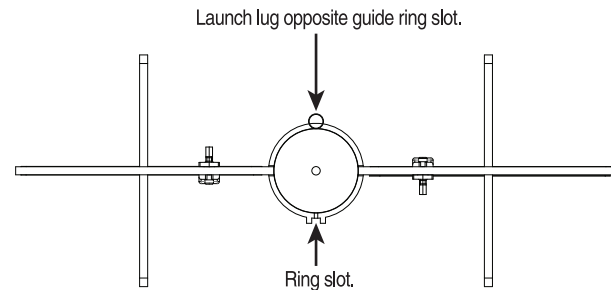
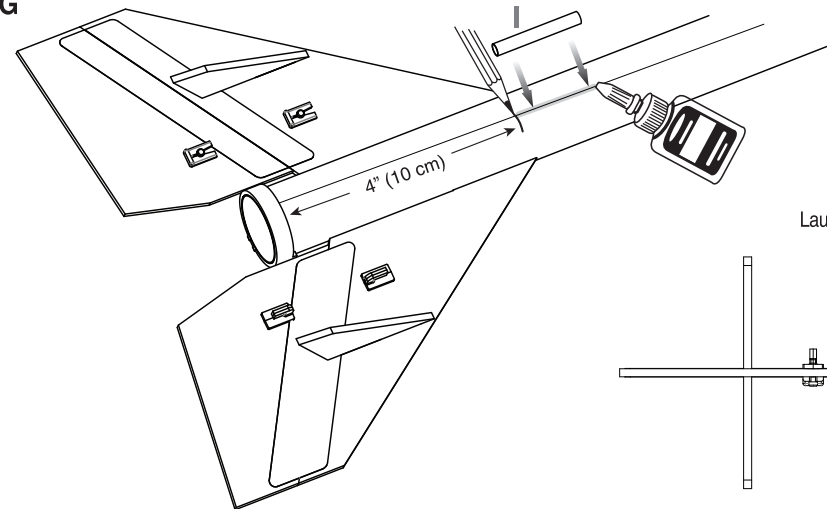
To avoid serious injury, read instructions & NAR Safety Code included with engines. **PREPARE YOUR ENGINE ONLY WHEN YOU ARE OUTSIDE AT THE LAUNCH SITE PREPARING TO LAUNCH.** If you do not use your prepared engine, remove the starter before storing your engine.

CHECK ALIGNMENT OF ENGINE MOUNT

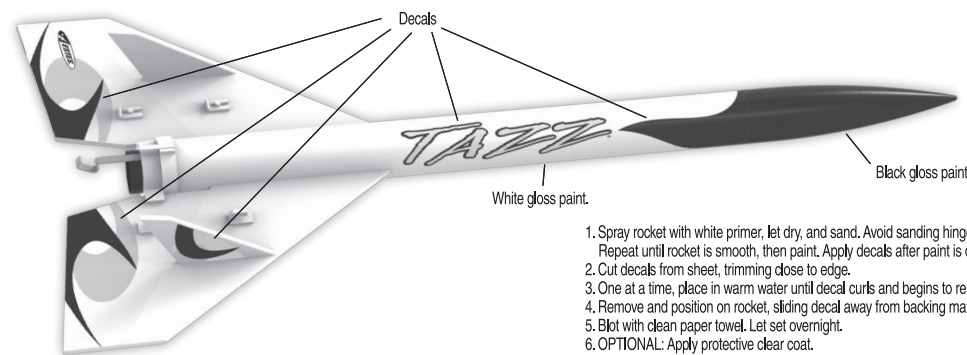


Slide Engine Mount into **G** and check alignment of wings and plastic tabs as shown.

ATTACH LAUNCH LUG

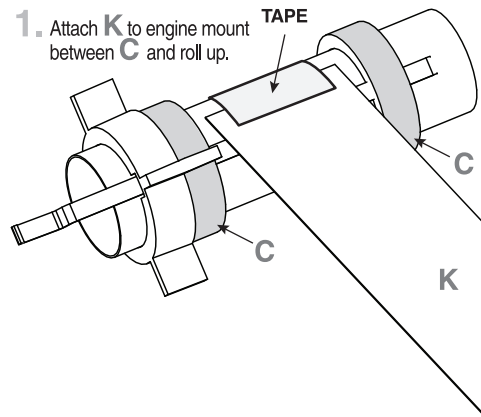


ROCKET FINISHING

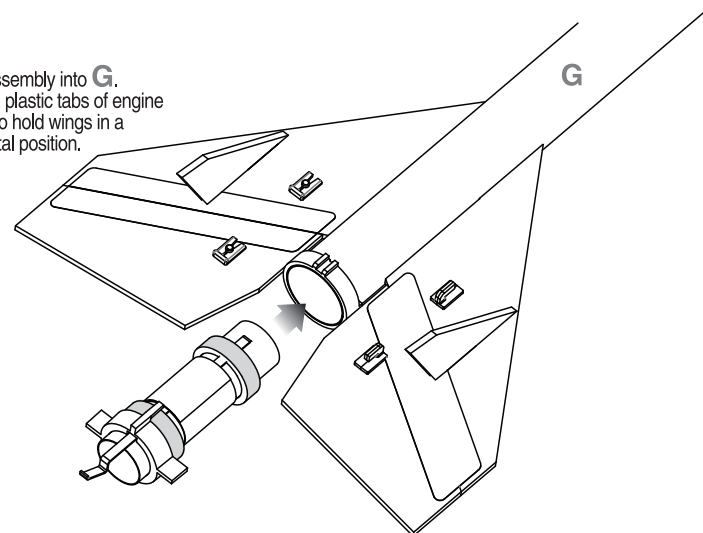


1. Spray rocket with white primer, let dry, and sand. Avoid sanding hinges as much as possible. Repeat until rocket is smooth, then paint. Apply decals after paint is dry.
2. Cut decals from sheet, trimming close to edge.
3. One at a time, place in warm water until decal curls and begins to relax.
4. Remove and position on rocket, sliding decal away from backing material.
5. Blot with clean paper towel. Let set overnight.
6. OPTIONAL: Apply protective clear coat.

PREPARE RECOVERY SYSTEM



1. Attach **K** to engine mount between **C** and roll up.
2. Slide assembly into **G**. Position plastic tabs of engine mount to hold wings in a horizontal position.



ASSEMBLE WING AND SPIN TAB ASSEMBLIES

1. Align edge of **O** with the edge of the **N** as shown.
2. Center **L** over joint as shown. Press firmly into place. Rub **L** down smoothly with cloth or paper towel to remove any and all trapped air bubbles.
3. Carefully trim **L** around slot.
4. Fold **N** and **L** over by firmly pressing **O** together with **N**.
5. Center **M** over joint as shown. Press firmly into place.
6. Fold **M** over opposite side of **N** and press firmly onto wing.
7. Fold back to its original position. Make sure **M** is firmly attached to both surfaces. Rub **M** down smoothly with cloth or paper towel to remove any and all trapped air bubbles.

NOTE:
Do not trim **M** around slot.

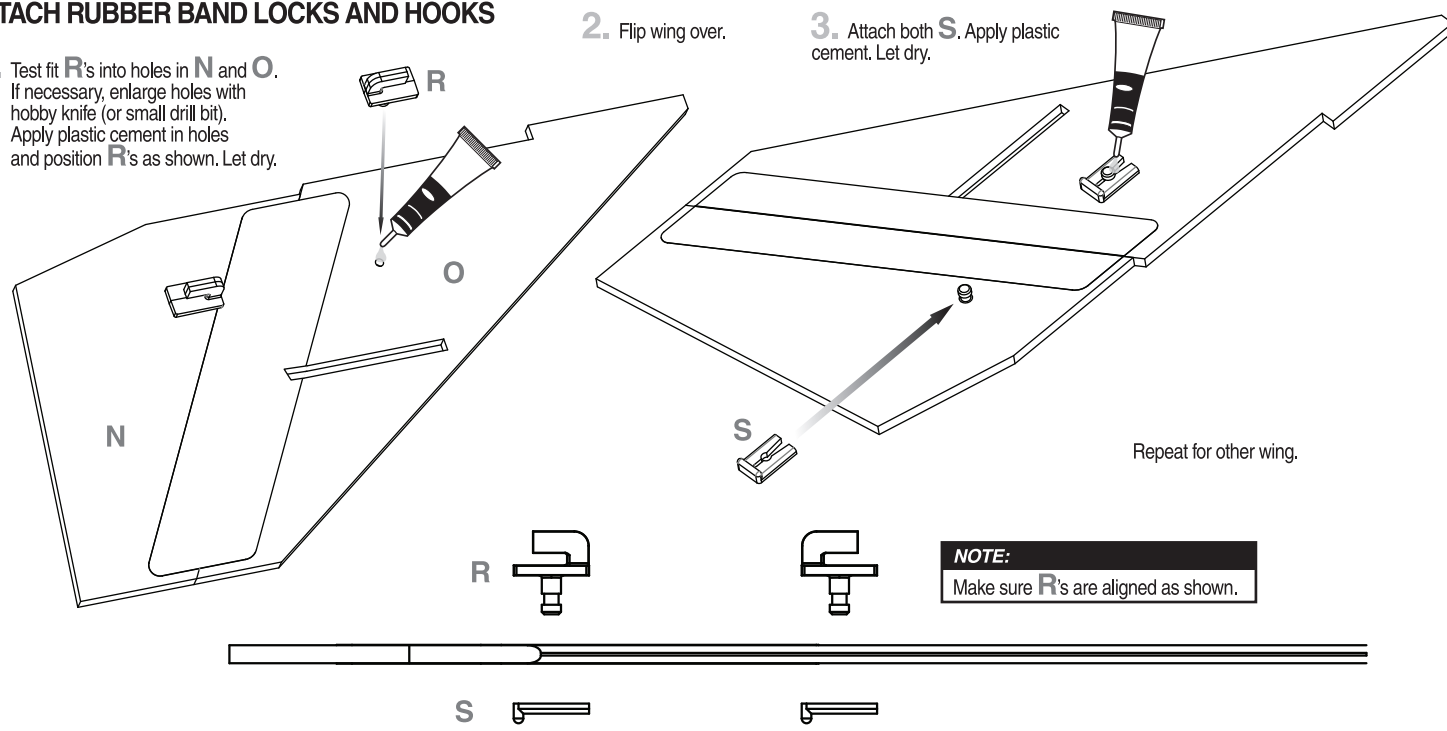
Make two identical wing assemblies.
DO NOT make them mirror each other.

ATTACH RUBBER BAND LOCKS AND HOOKS

1. Test fit **R**'s into holes in **N** and **O**. If necessary, enlarge holes with hobby knife (or small drill bit). Apply plastic cement in holes and position **R**'s as shown. Let dry.

2. Flip wing over.

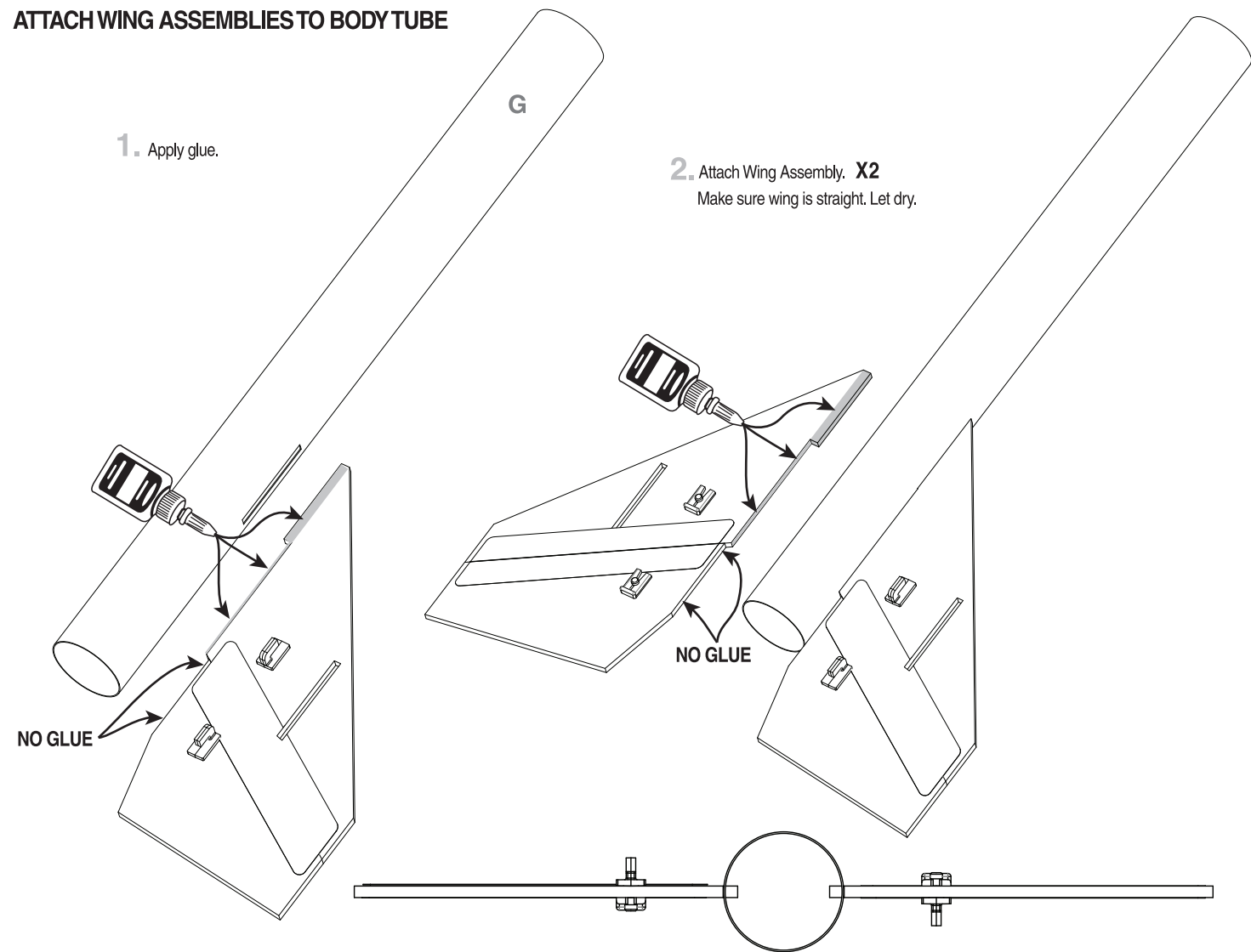
3. Attach both **S**. Apply plastic cement. Let dry.



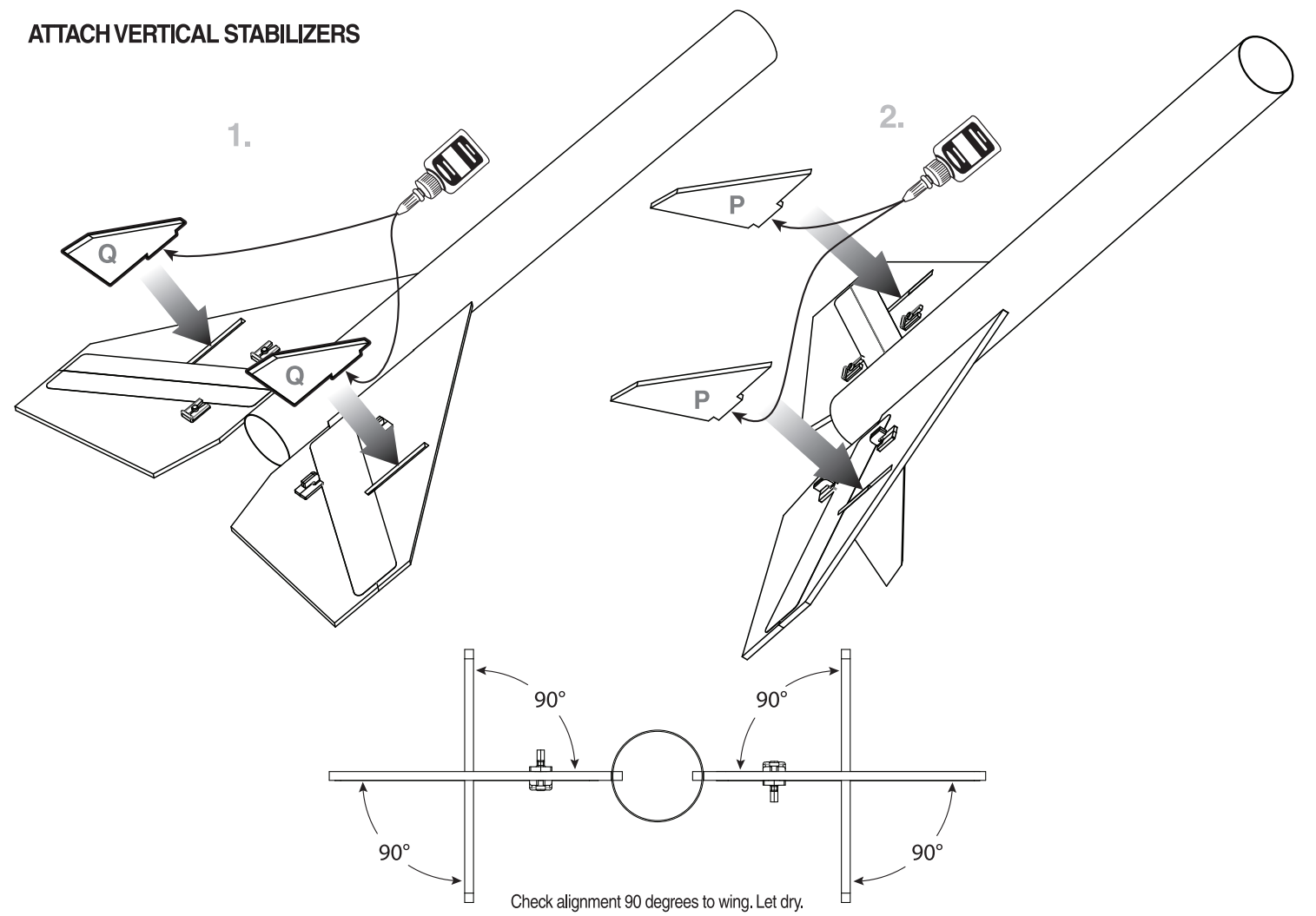
ATTACH WING ASSEMBLIES TO BODY TUBE

1. Apply glue.

2. Attach Wing Assembly. **X2**
Make sure wing is straight. Let dry.



ATTACH VERTICAL STABILIZERS



ATTACH GUIDE RING

