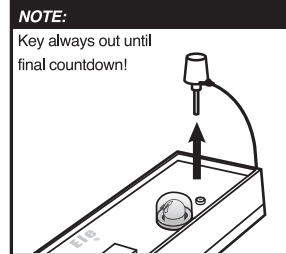
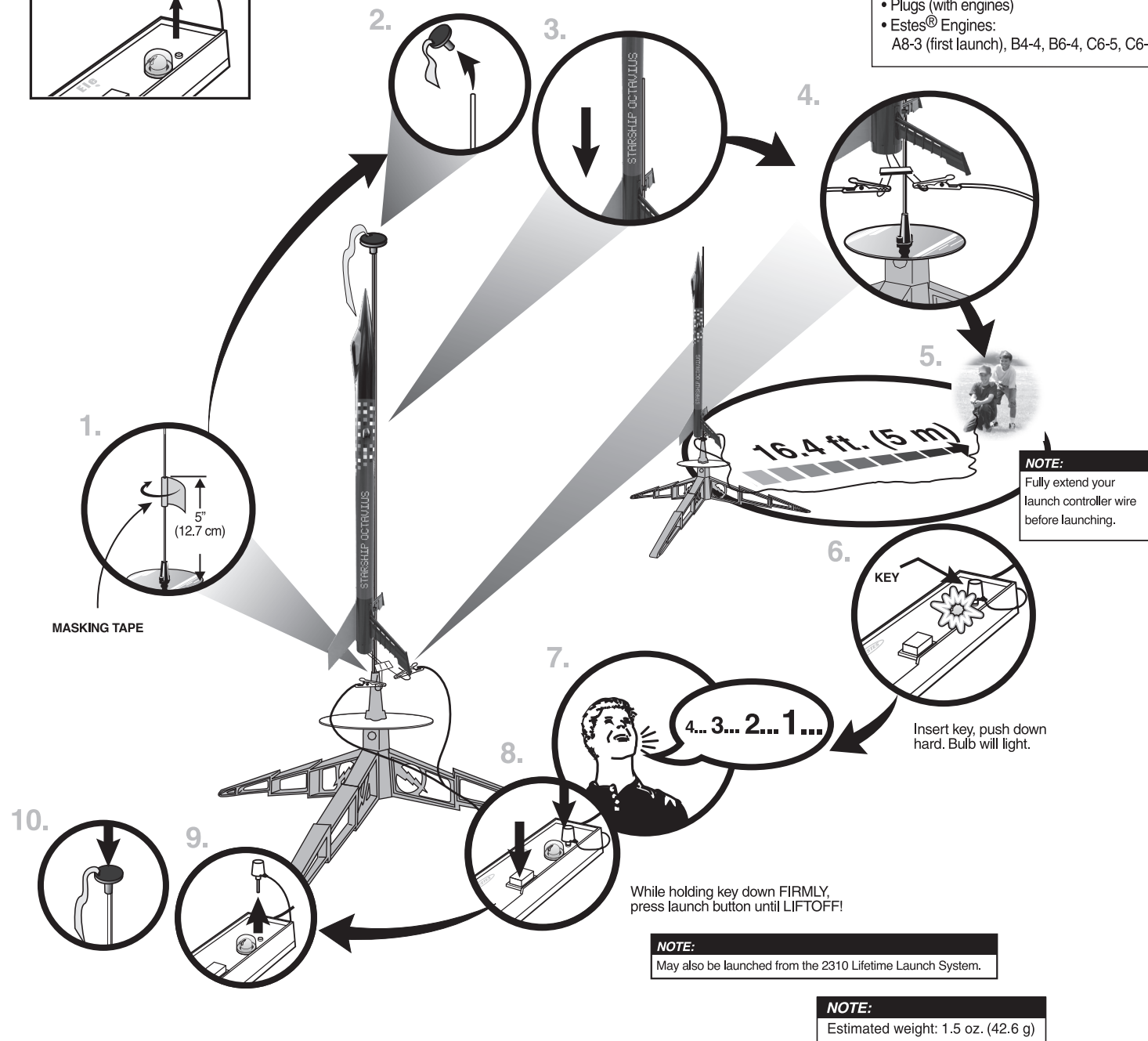


**COUNTDOWN AND LAUNCH**



- ESTES® LAUNCH SUPPLIES NEEDED (Sold Separately)**
- Launch Pad
  - Launch Controller
  - Recovery Wadding
  - Starters (with engines)
  - Plugs (with engines)
  - Estes® Engines: A8-3 (first launch), B4-4, B6-4, C6-5, C6-7



**PRECAUTIONS**



NAR SAFETY CODE



NO DRY GRASS OR WEEDS

**PRE-LAUNCH CHECK** For safety, never launch a damaged rocket. Check the rocket's body, nose cone and fins. Also, check the engine mount, recovery system and launch lug(s). Repair any damage before launching the rocket.

**FLYING YOUR ROCKET** Choose a large field (500 ft. [152 m] square) free of dry weeds and brown grass. The larger the launch area, the better your chance of recovering your rocket. Football fields and playgrounds are great. Launch only with little or no wind and good visibility. Always follow the National Association of Rocketry (NAR) SAFETY CODE (enclosed).

**MISFIRES** TAKE THE KEY OUT OF THE CONTROLLER. WAIT ONE MINUTE BEFORE GOING NEAR THE ROCKET! Disconnect the micro clips and remove the engine. Take the plug and starter out of the engine. A burned starter means the starter tip was not touching engine propellant. Install a new starter; be sure the tip is touching propellant inside engine. Repeat the steps under Countdown and Launch.



**Starship Octavius™**

7284

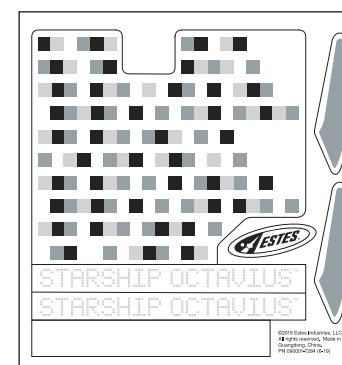


**MODEL ROCKET INSTRUCTIONS**

**KEEP FOR FUTURE REFERENCE**

**IMPORTANT:** Please record date found on package and keep for future reference.

**READ ALL INSTRUCTIONS.** Make sure you have all parts and supplies.



090001-7284  
Self-stick decal

072700  
Fin

073211/212  
Engine mount fin can unit (1 fin slot)

031684  
Body tube

061299  
Nose cone

073209/210  
Shock cord mount/anchor

038364  
Shock cord

(2 fin slots)

033630  
Fins X2

035801  
Parachute

072697  
Engine retainer cap

**ASSEMBLE ENGINE MOUNT FIN CAN UNIT**

1. Press firmly together.

2.

3. Insert fin into slot.

4. Slide fin forward until it stops.

5.

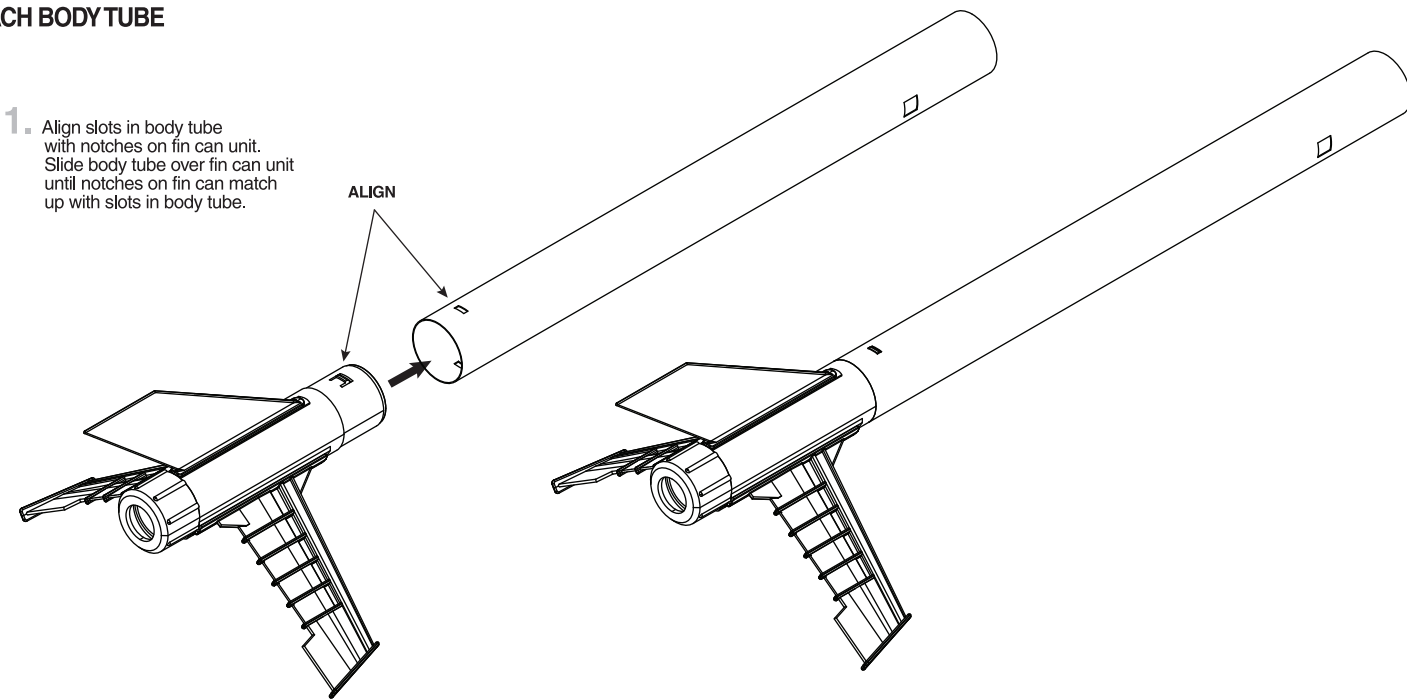
6.

7. Screw engine retainer cap onto fin can unit.

Repeat for remaining fins.

### ATTACH BODY TUBE

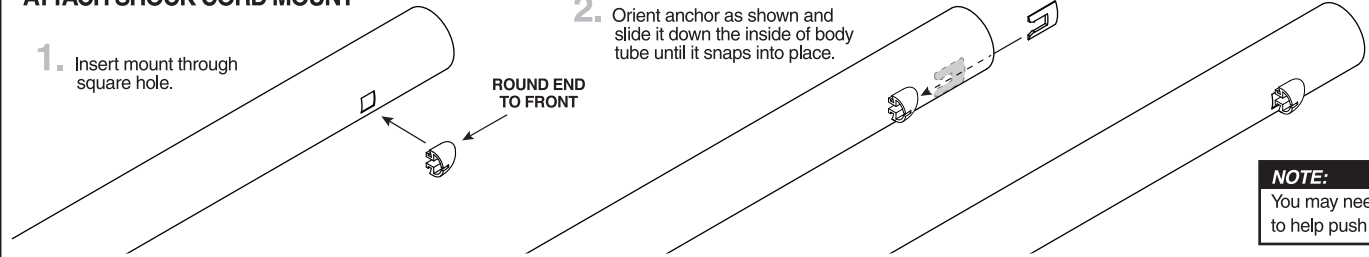
1. Align slots in body tube with notches on fin can unit. Slide body tube over fin can unit until notches on fin can match up with slots in body tube.



### ATTACH SHOCK CORD MOUNT

1. Insert mount through square hole.

2. Orient anchor as shown and slide it down the inside of body tube until it snaps into place.



**NOTE:**  
You may need a pen or pencil to help push anchor in place.

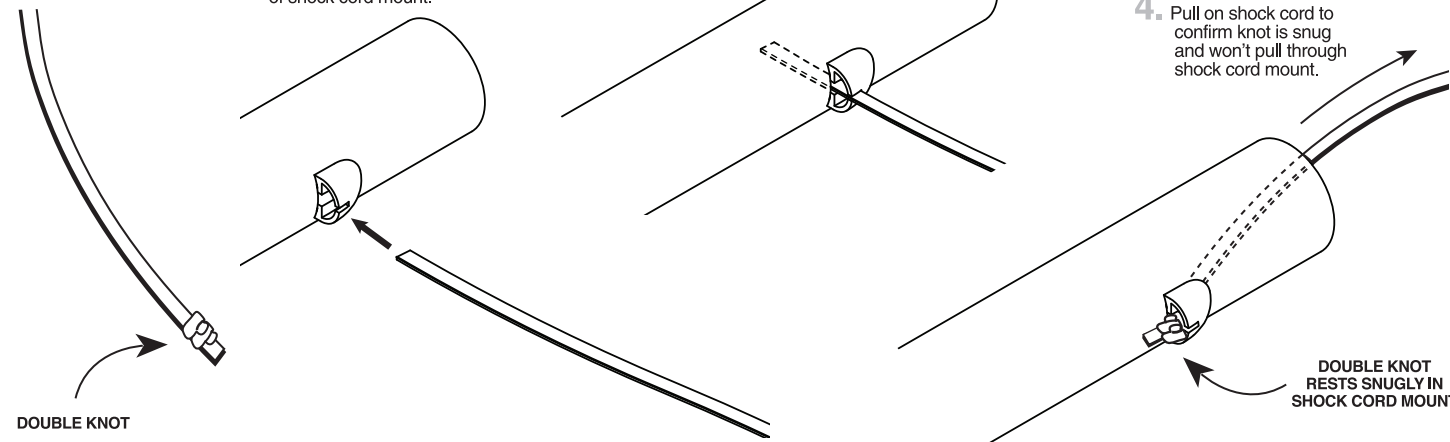
### INSTALL SHOCK CORD

1. Tie double knot in end of shock cord.

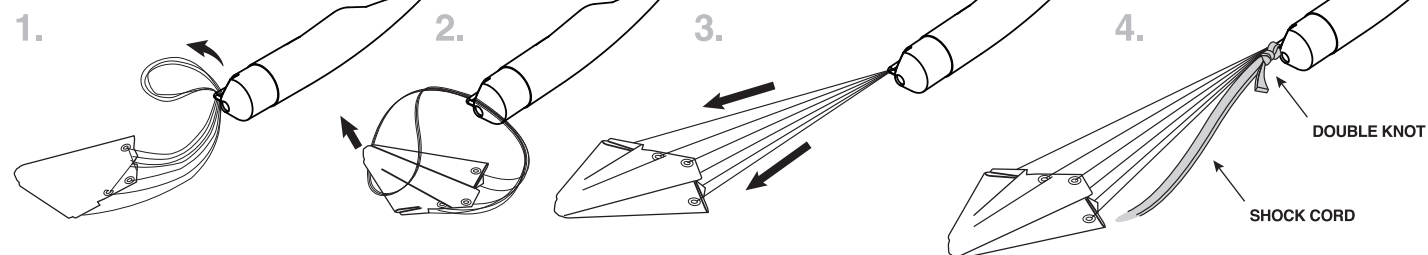
2. Insert **unknotted** end of shock cord through opening of shock cord mount.

3.

4. Pull on shock cord to confirm knot is snug and won't pull through shock cord mount.



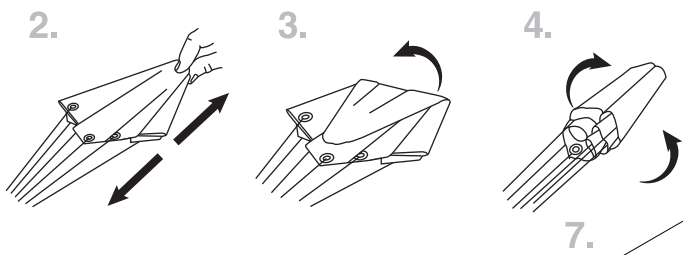
### ATTACH PARACHUTE AND SHOCK CORD



### PREPARE FLIGHT RECOVERY

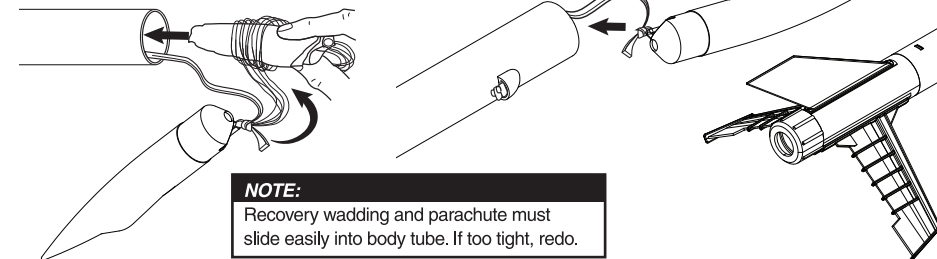
1. Push recovery wadding down towards end of body tube.

3-4 SQUARES  
ESTES®  
RECOVERY WADDING



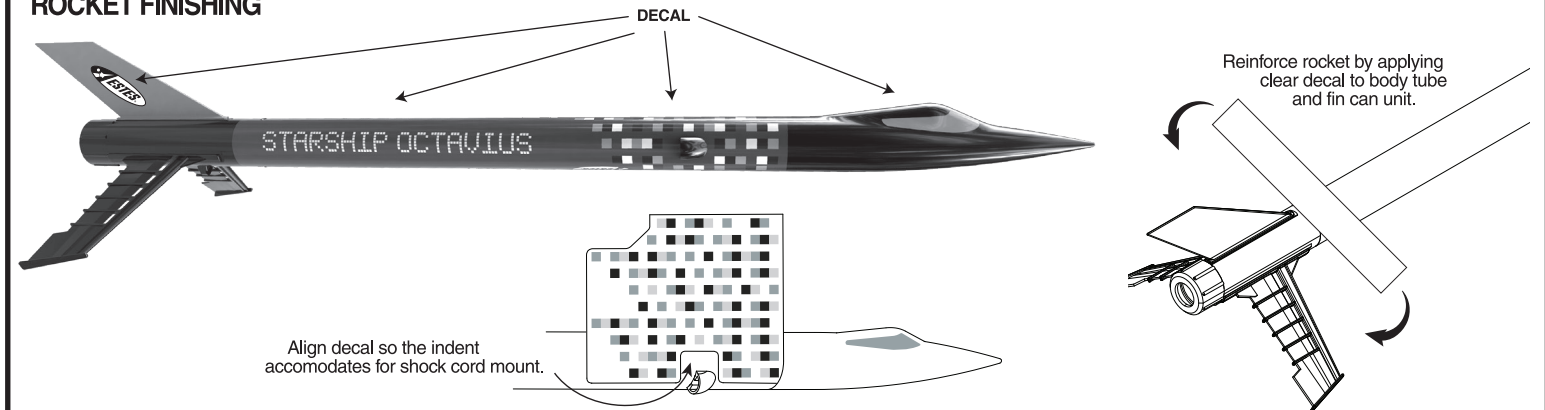
5. Wrap shroud lines loosely and insert parachute into body tube.

6. Insert nose cone into body tube.

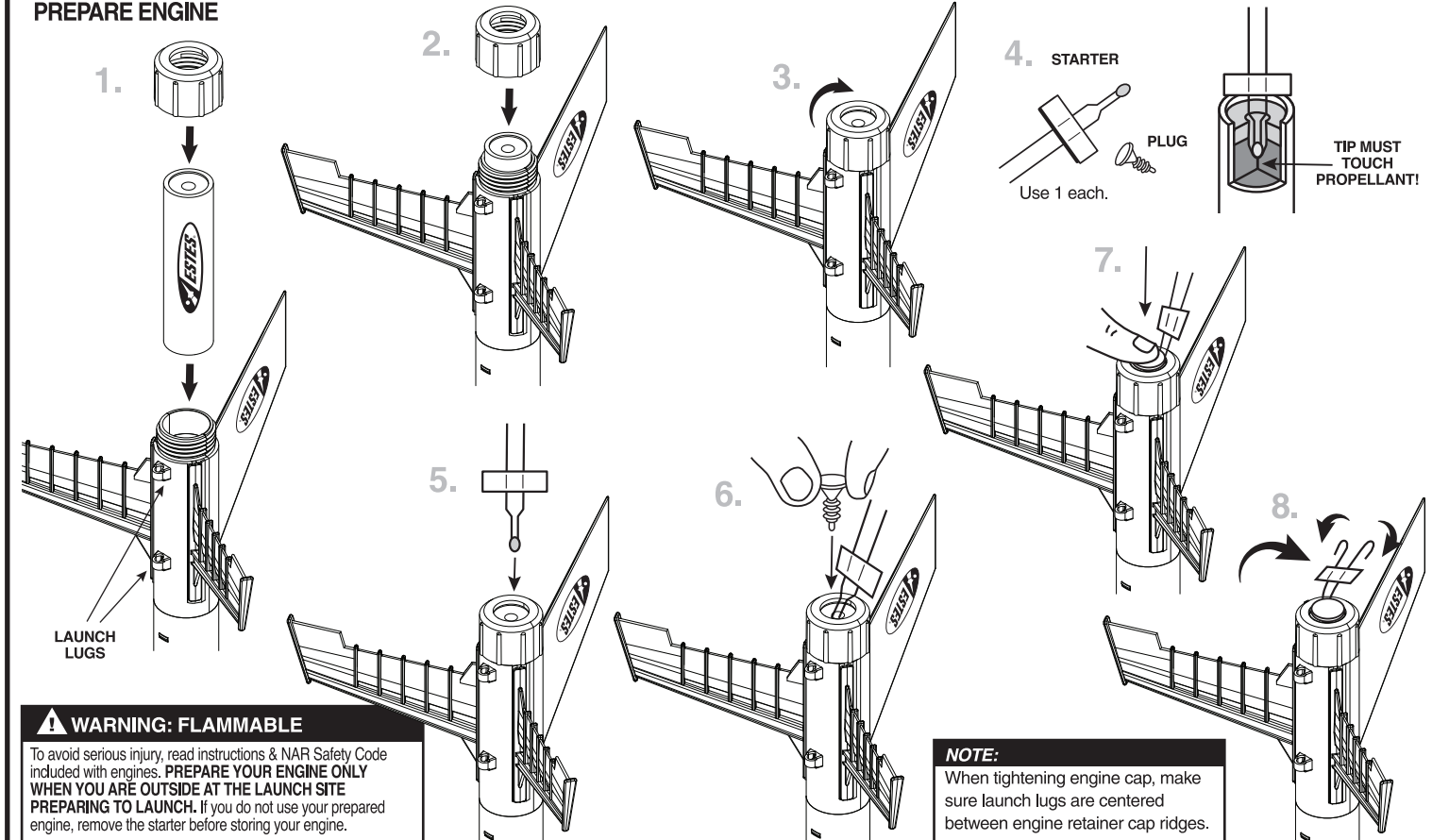


**NOTE:**  
Recovery wadding and parachute must slide easily into body tube. If too tight, redo.

### ROCKET FINISHING



### PREPARE ENGINE



#### ⚠ WARNING: FLAMMABLE

To avoid serious injury, read instructions & NAR Safety Code included with engines. **PREPARE YOUR ENGINE ONLY WHEN YOU ARE OUTSIDE AT THE LAUNCH SITE PREPARING TO LAUNCH.** If you do not use your prepared engine, remove the starter before storing your engine.

**NOTE:**  
When tightening engine cap, make sure launch lugs are centered between engine retainer cap ridges.