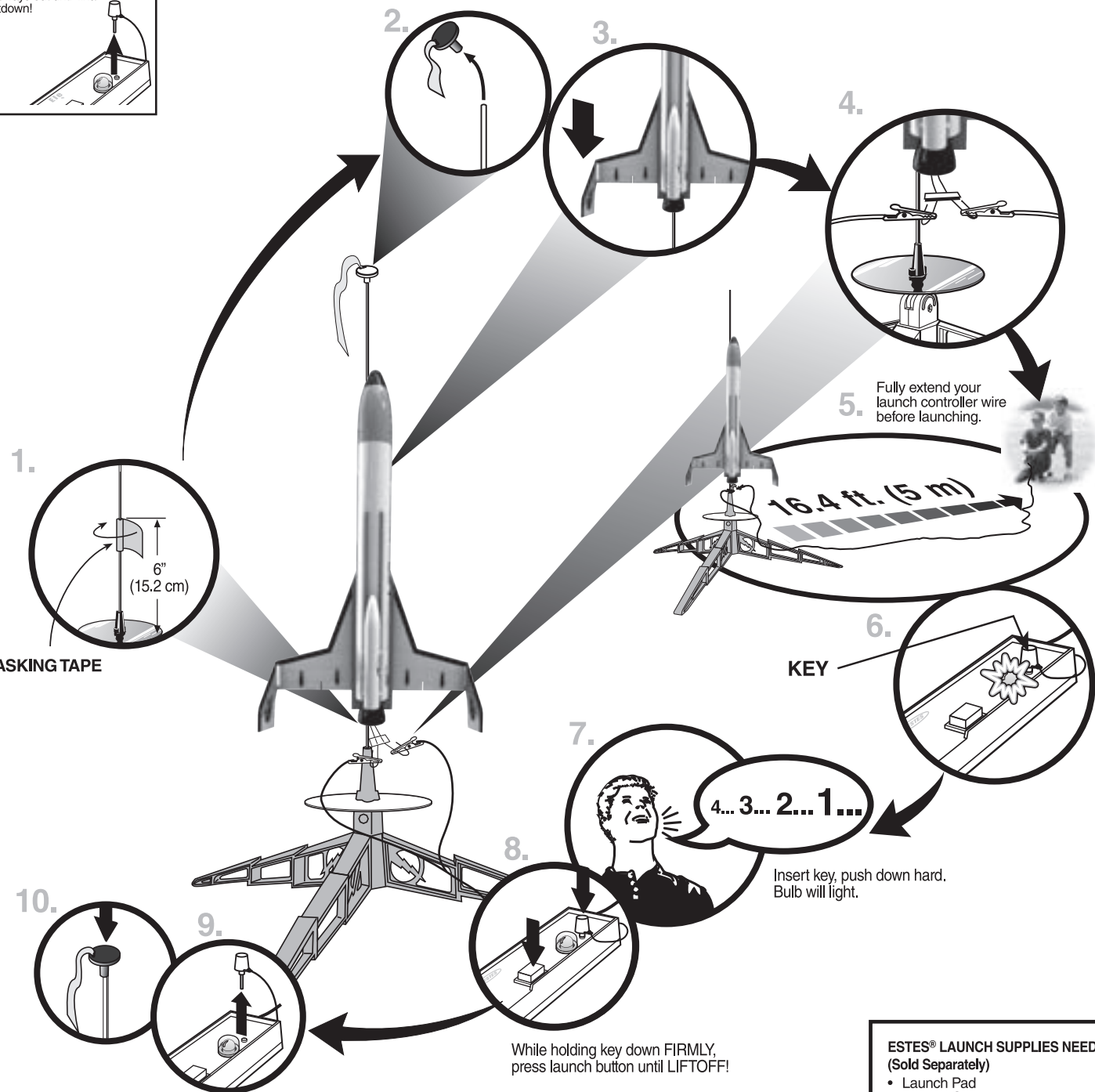
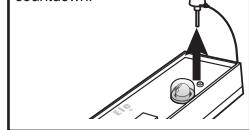


NOTE:

Key always out until final countdown!



NOTE:
Estimated weight: 3.4 oz. (96.4 g)

- ESTES® LAUNCH SUPPLIES NEEDED (Sold Separately)**
- Launch Pad
 - Launch Controller
 - Recovery Wadding
 - Starters (with engines)
 - Plugs (with engines)
 - Estes® Engines: C6-3

PRECAUTIONS



NAR SAFETY CODE



NO DRY GRASS OR WEEDS

PRE-LAUNCH CHECK For safety, never launch a damaged rocket. Check the rocket's body, nose cone and fins. Also, check the engine mount, recovery system and launch lug(s). Repair any damage before launching the rocket.
FLYING YOUR ROCKET Choose a large field (500 ft. [152 m] square) free of dry weeds and brown grass. The larger the launch area, the better your chance of recovering your rocket. Football fields and playgrounds are great. Launch only with little or no wind and good visibility. Always follow the National Association of Rocketry (NAR) SAFETY CODE (enclosed).
MISFIRES TAKE THE KEY OUT OF THE CONTROLLER. WAIT ONE MINUTE BEFORE GOING NEAR THE ROCKET. Disconnect the micro-clips and remove the engine. Take the plug and starter out of the engine. A burned starter means the starter tip was not touching engine propellant. Install a new starter; be sure the tip is touching propellant inside the engine. Push the plug in place. Repeat steps under Countdown and Launch.



EstesRockets.com

LEO SPACE TRAIN™

7285



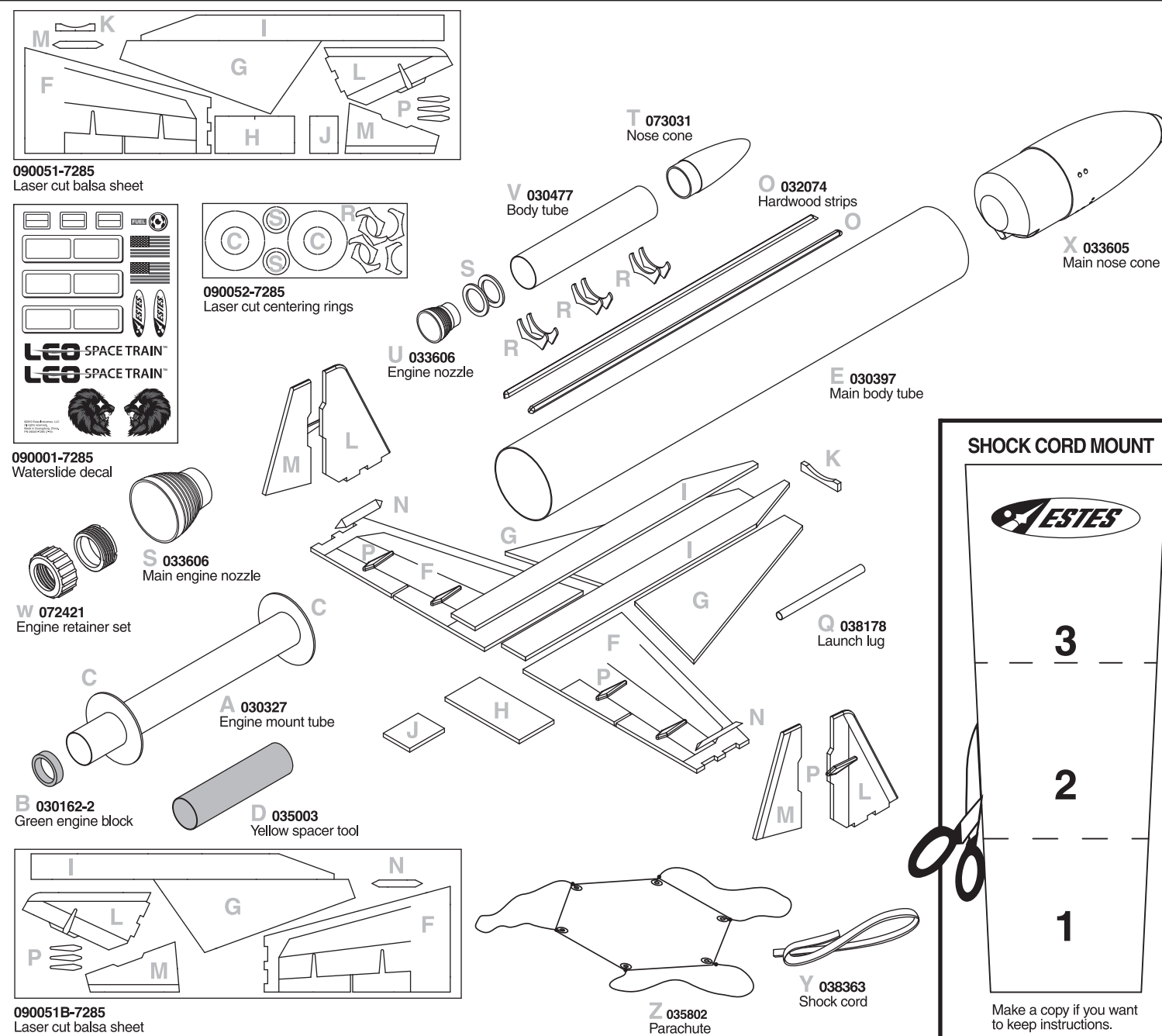
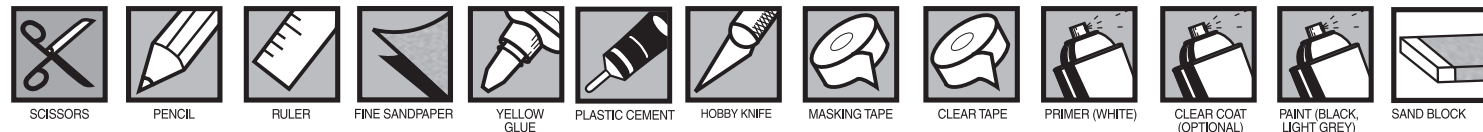
MODEL ROCKET INSTRUCTIONS

KEEP FOR FUTURE REFERENCE

IMPORTANT: Please record date found on decal and keep for future reference. _____

READ ALL INSTRUCTIONS. Make sure you have all parts and supplies. Test fit all parts before applying glue.

SUPPLIES



SHOCK CORD MOUNT



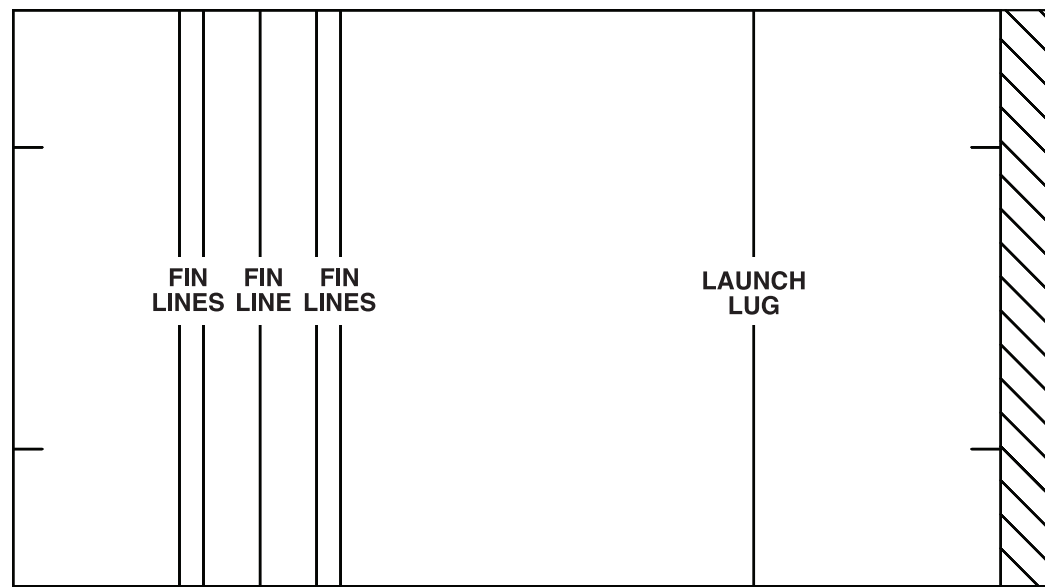
3

2

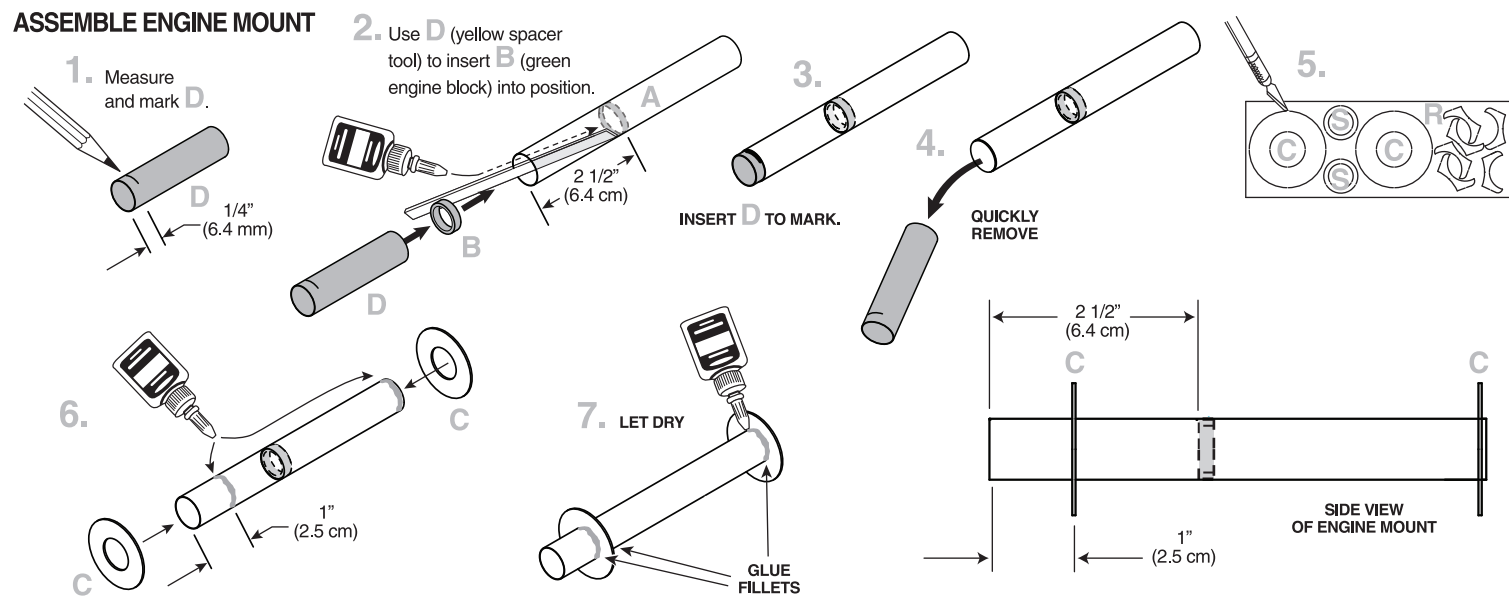
1

Make a copy if you want to keep instructions.

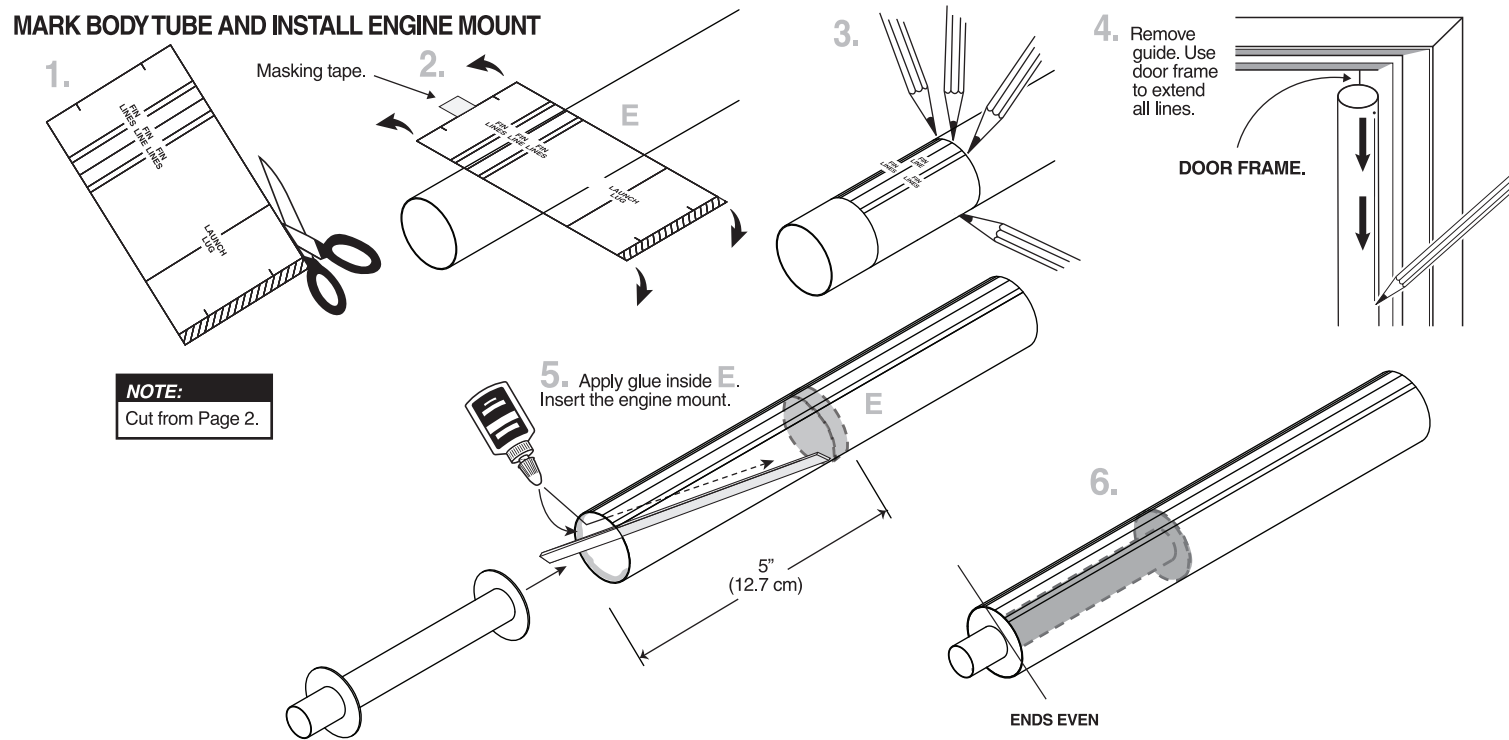
TUBE MARKING GUIDE



ASSEMBLE ENGINE MOUNT

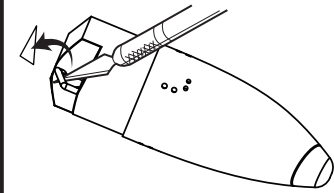


MARK BODY TUBE AND INSTALL ENGINE MOUNT



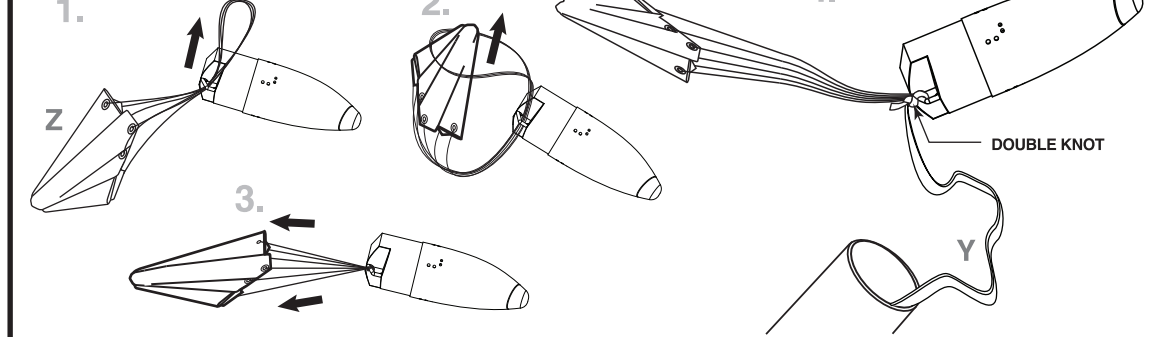
PREPARE NOSE CONE

1. Remove plastic from inside eyelet.

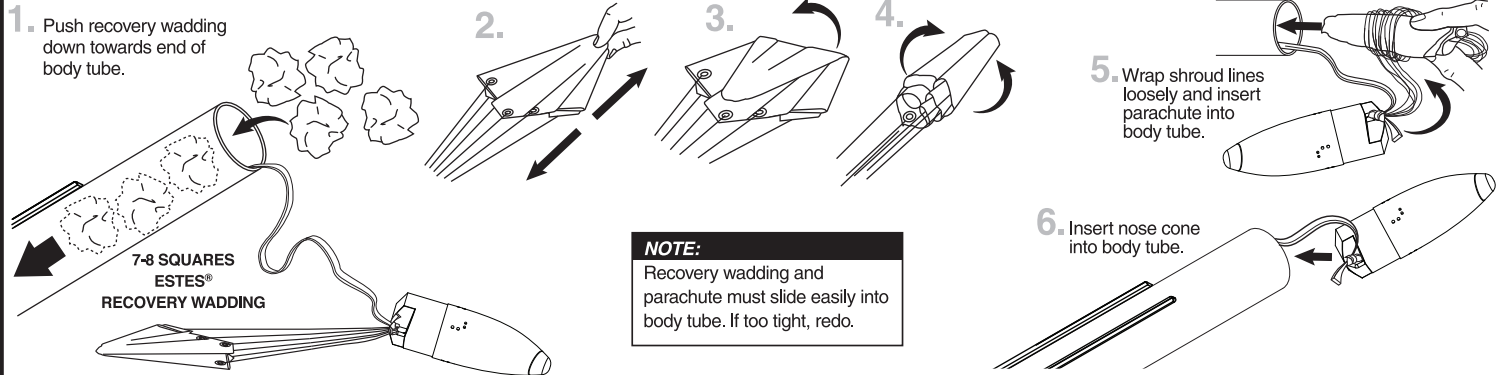


NOTE: Do not cut off eyelet.

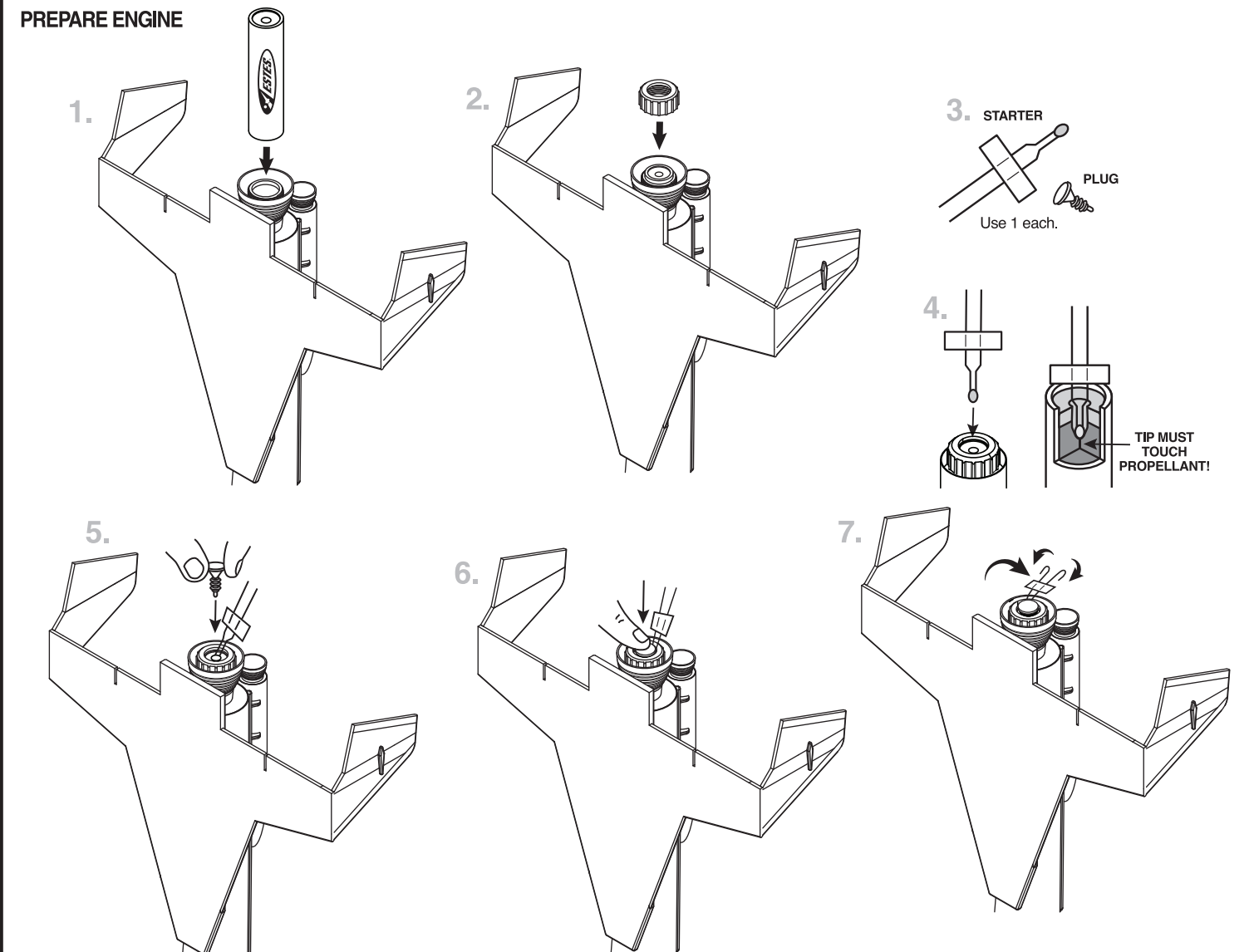
ATTACH PARACHUTE AND SHOCK CORD



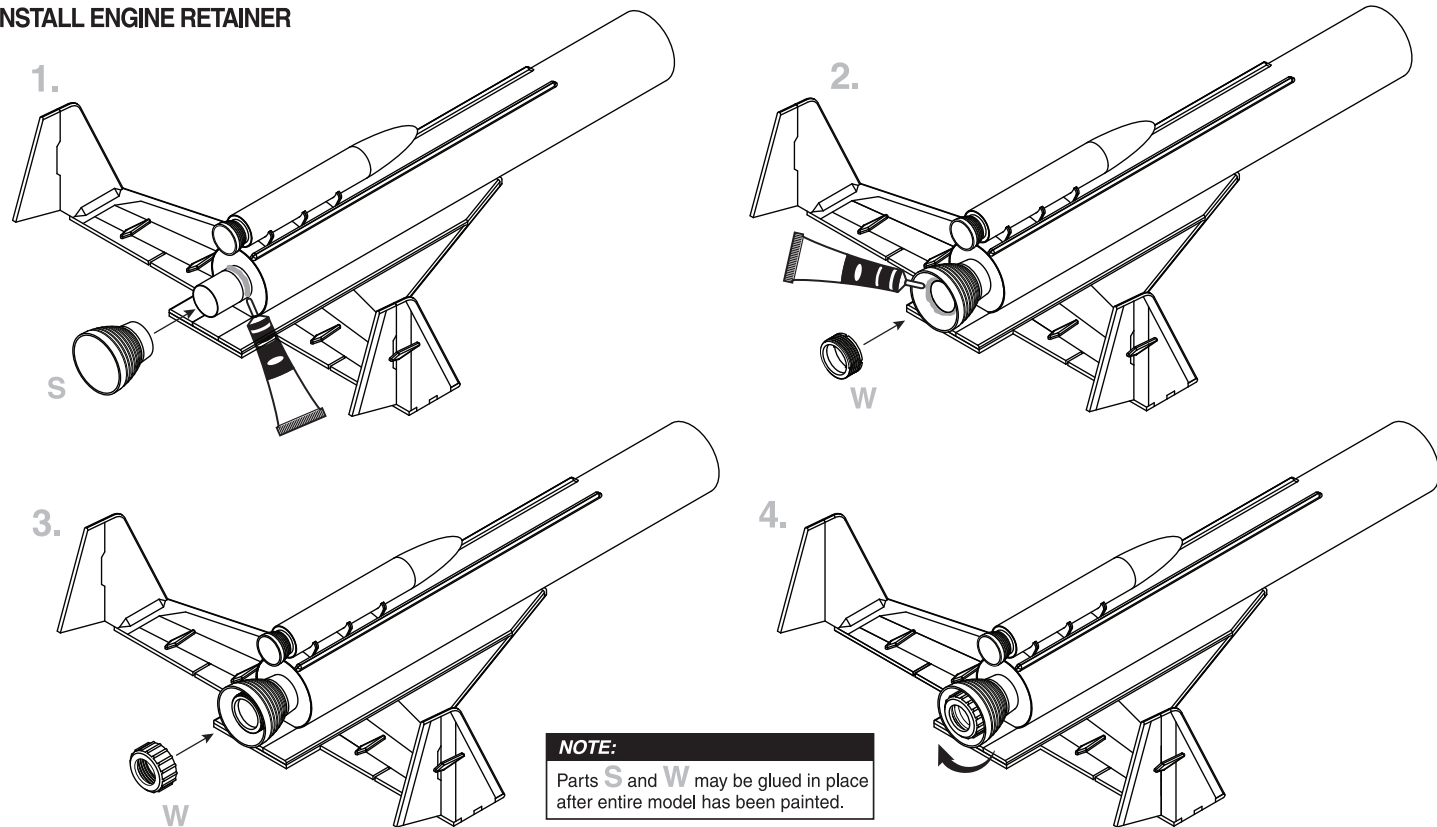
PREPARE FLIGHT RECOVERY



PREPARE ENGINE

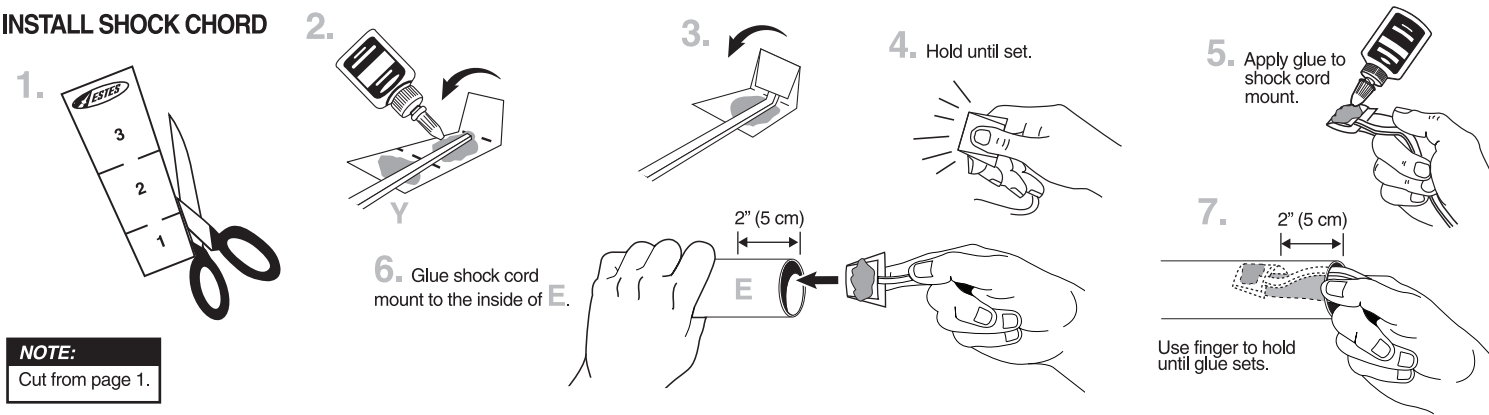


INSTALL ENGINE RETAINER



NOTE:
Parts **S** and **W** may be glued in place after entire model has been painted.

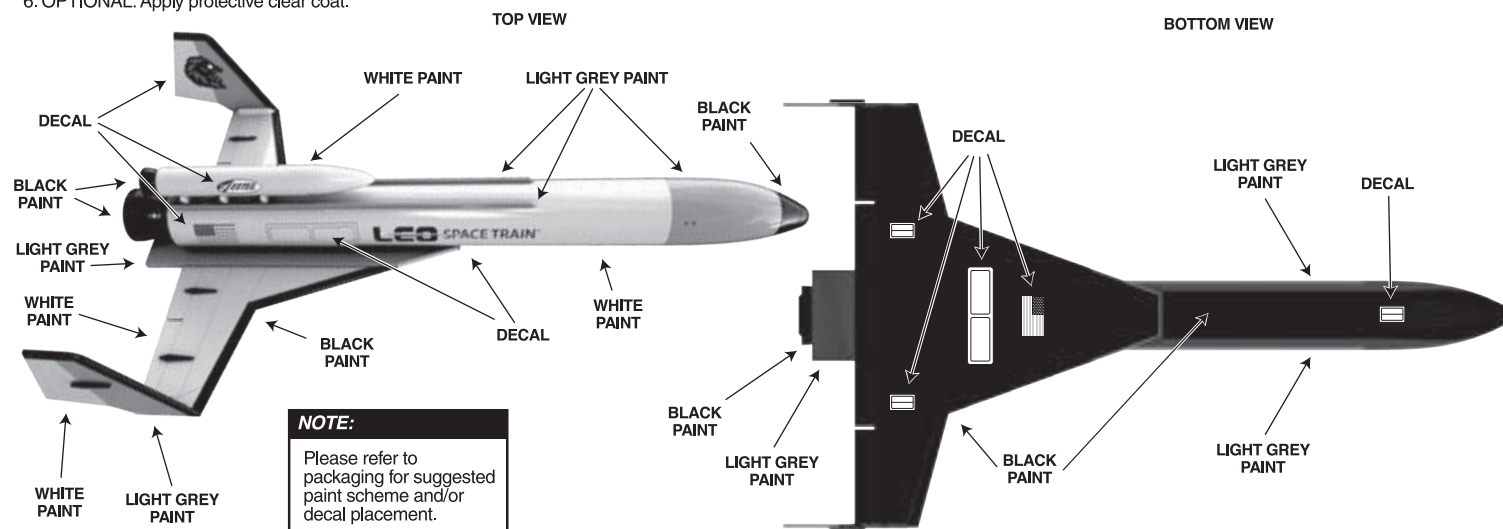
INSTALL SHOCK CHORD



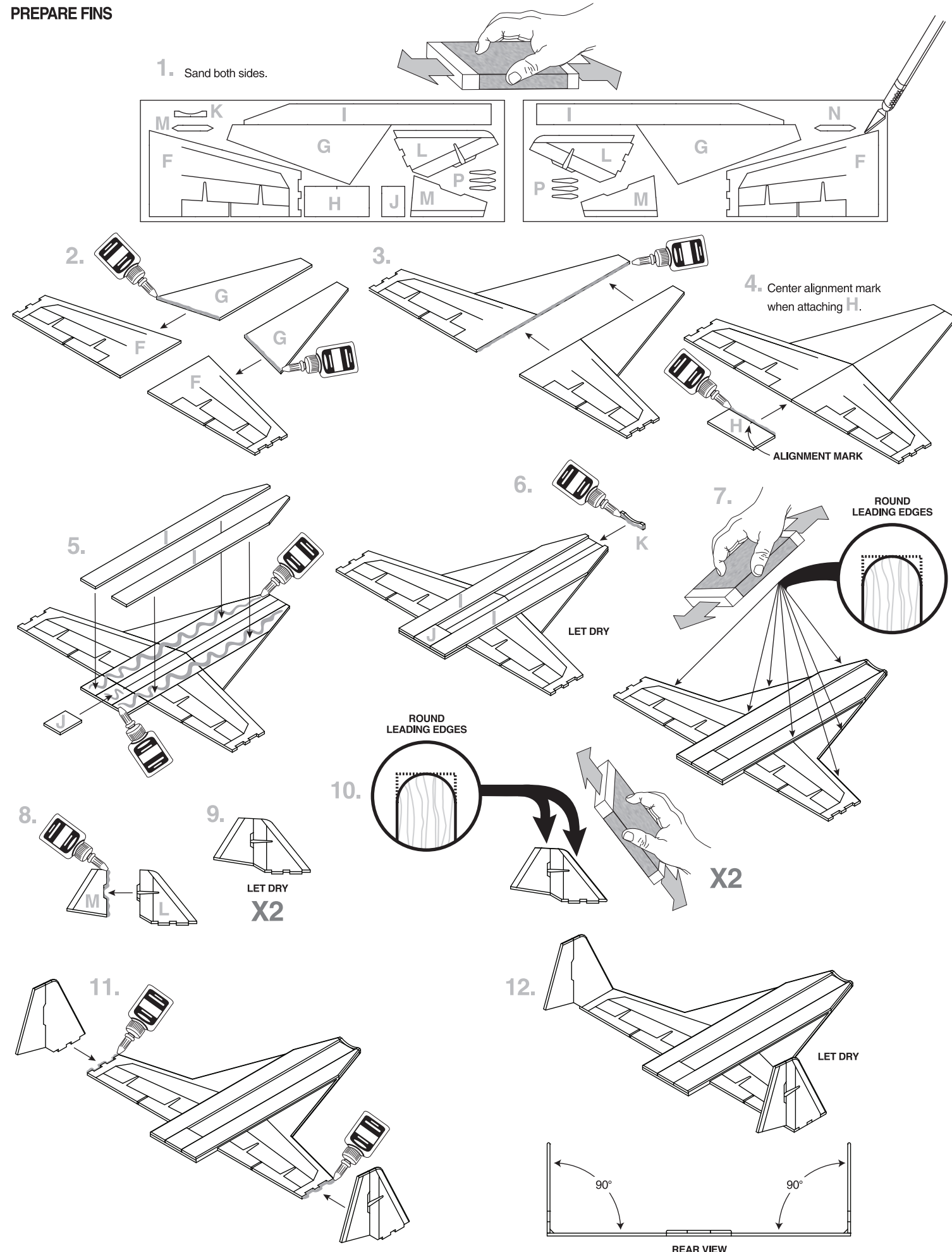
NOTE:
Cut from page 1.

ROCKET FINISHING

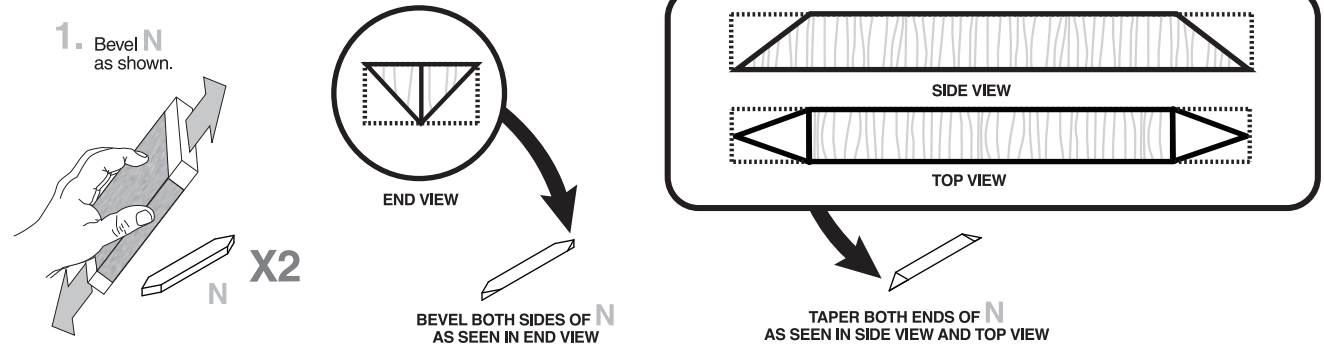
1. Spray rocket with white primer, let dry, and sand. Repeat until rocket is smooth, then paint. Apply decals only after paint is dry.
2. Cut decals from sheet, trimming close to edge.
3. One at a time, place in warm water until decal curls and begins to relax.
4. Remove and position on rocket, sliding decal away from backing material.
5. Blot with clean paper towel. Let set overnight.
6. OPTIONAL: Apply protective clear coat.



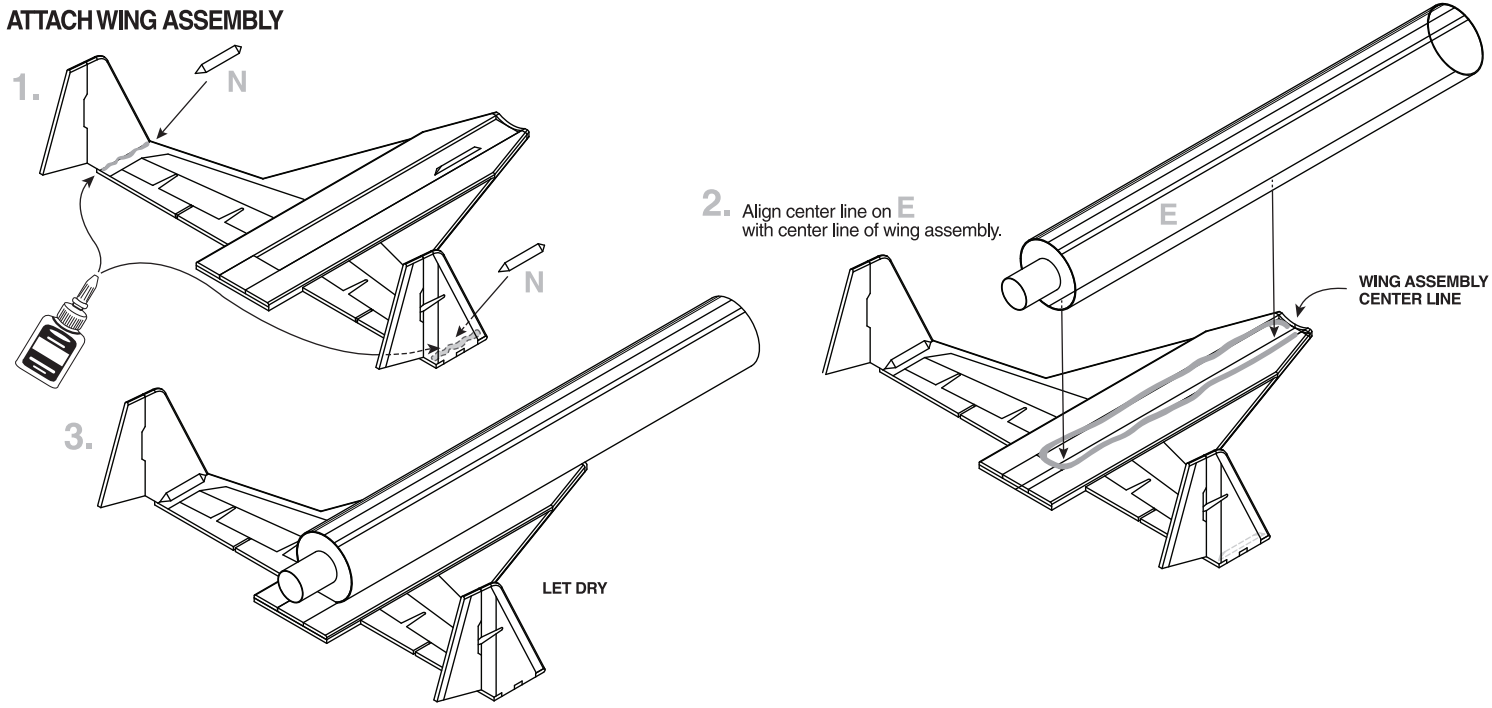
PREPARE FINS



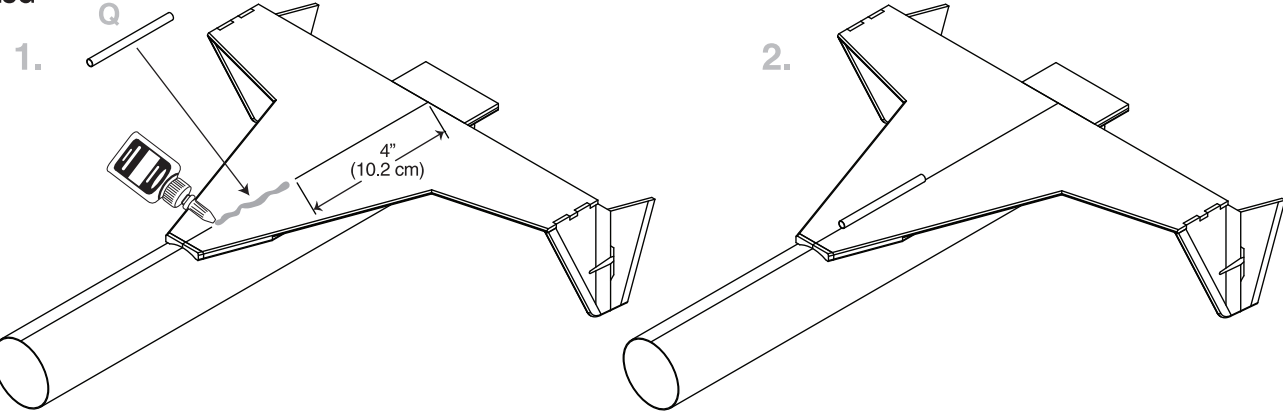
BEVEL WING JOINT REINFORCEMENTS



ATTACH WING ASSEMBLY

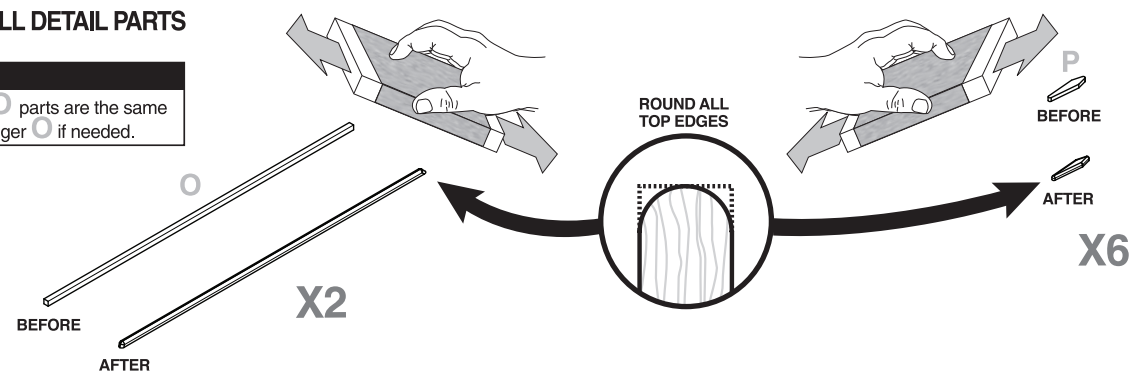


ATTACH LAUNCH LUG

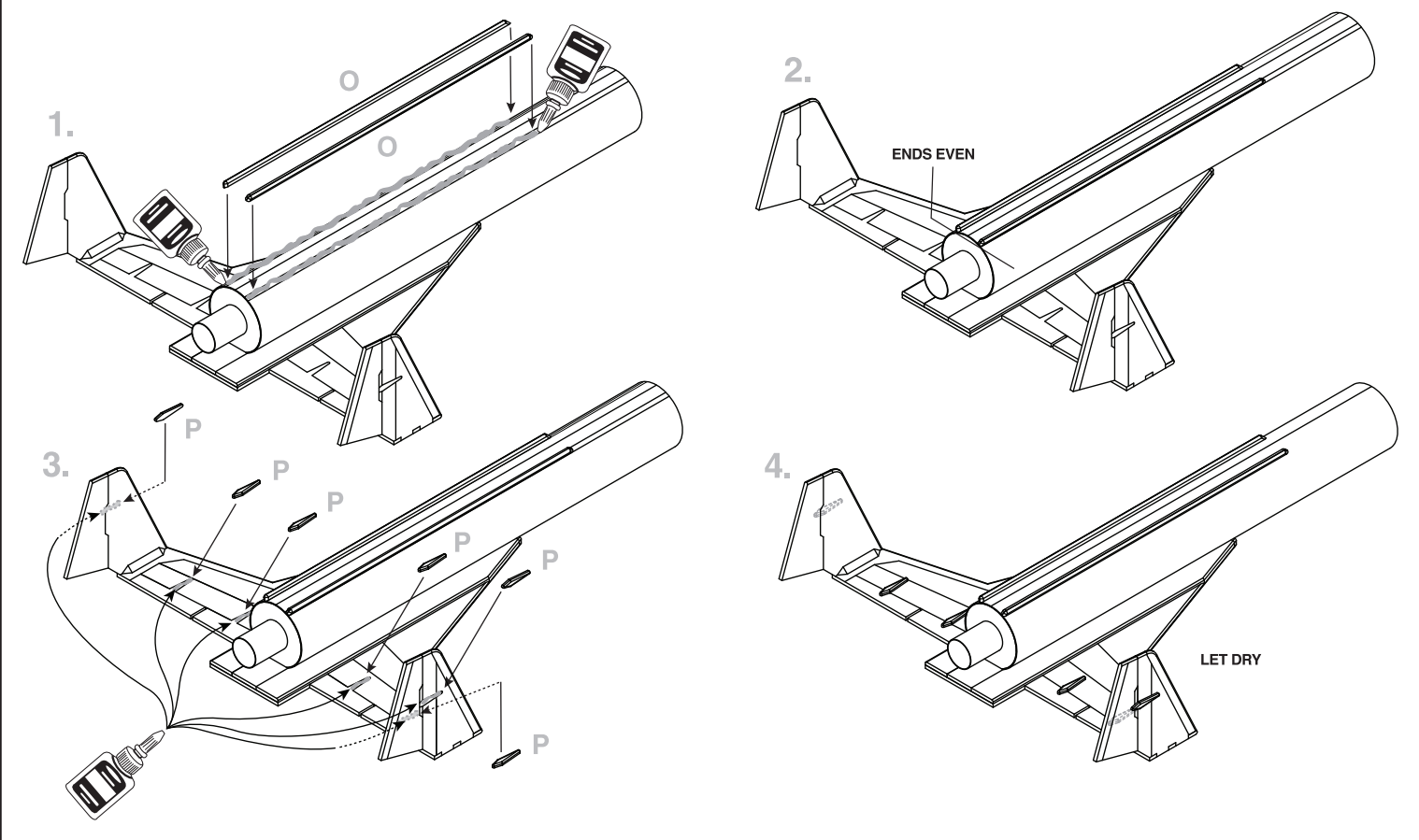


PREPARE SMALL DETAIL PARTS

NOTE:
Confirm both \circ parts are the same length. Trim longer \circ if needed.



INSTALL SMALL DETAIL PARTS



ASSEMBLE AND INSTALL UPPER ENGINE POD

