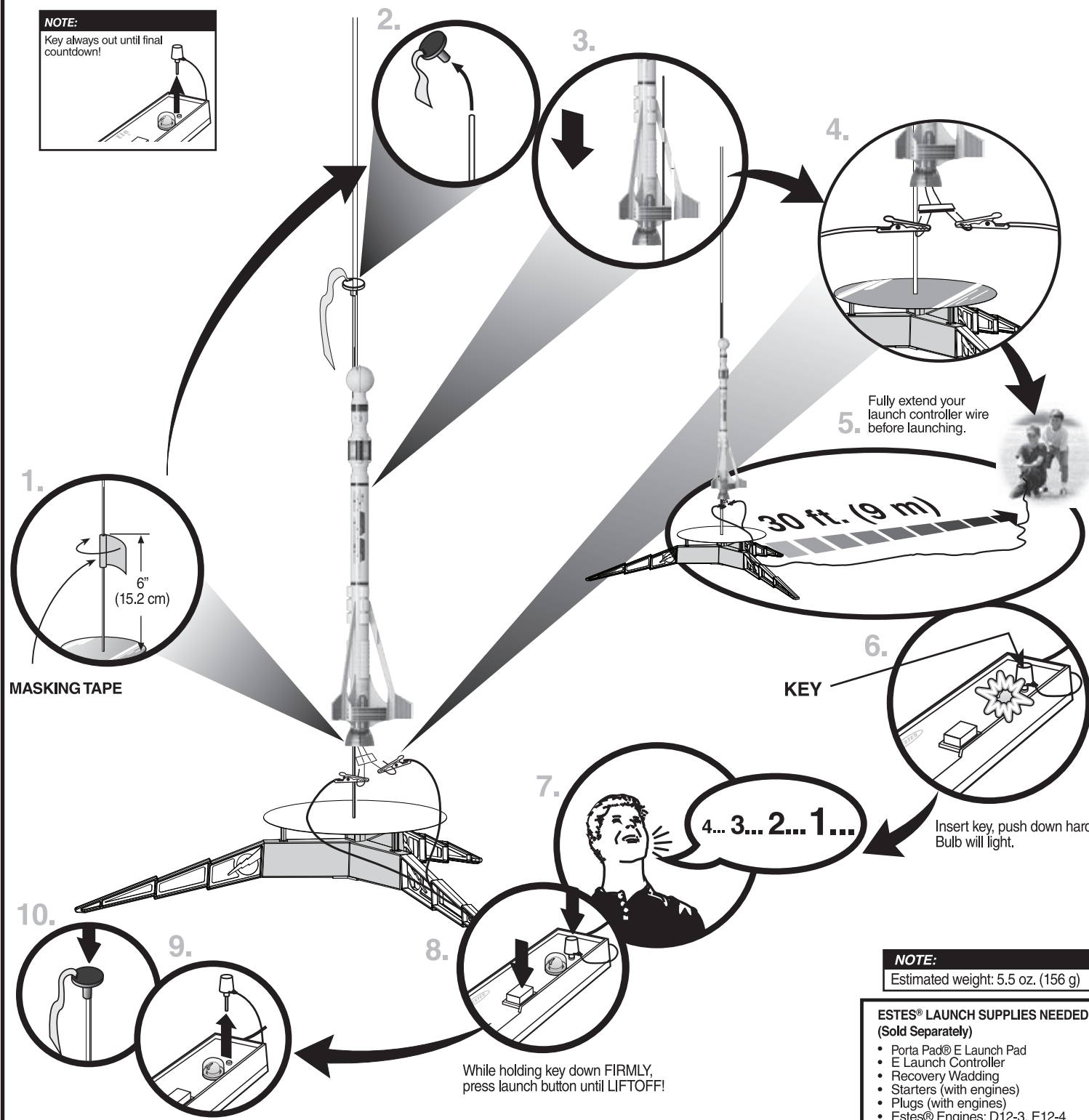


COUNTDOWN AND LAUNCH

NOTE:
Key always out until final countdown!



NOTE:
Estimated weight: 5.5 oz. (156 g)

- ESTES® LAUNCH SUPPLIES NEEDED (Sold Separately)**
- Porta Pad® E Launch Pad
 - E Launch Controller
 - Recovery Wadding
 - Starters (with engines)
 - Plugs (with engines)
 - Estes® Engines: D12-3, E12-4

PRECAUTIONS



NAR SAFETY CODE



NO DRY GRASS OR WEEDS

PRE-LAUNCH CHECK For safety, never launch a damaged rocket. Check the rocket's body, nose cone and fins. Also, check the engine mount, recovery system and launch lug(s). Repair any damage before launching the rocket.

FLYING YOUR ROCKET Choose a large field (500 ft. [152 m] square) free of dry weeds and brown grass. The larger the launch area, the better your chance of recovering your rocket. Football fields and playgrounds are great. Launch only with little or no wind and good visibility. Always follow the National Association of Rocketry (NAR) SAFETY CODE (enclosed).

MISFIRES TAKE THE KEY OUT OF THE CONTROLLER. WAIT ONE MINUTE BEFORE GOING NEAR THE ROCKET. Disconnect the micro-clips and remove the engine. Take the plug and starter out of the engine. A burned starter means the starter tip was not touching engine propellant. Install a new starter; be sure the tip is touching propellant inside the engine. Push the plug in place. Repeat steps under Countdown and Launch.



EstesRockets.com

MARS LONGSHIP™

7296



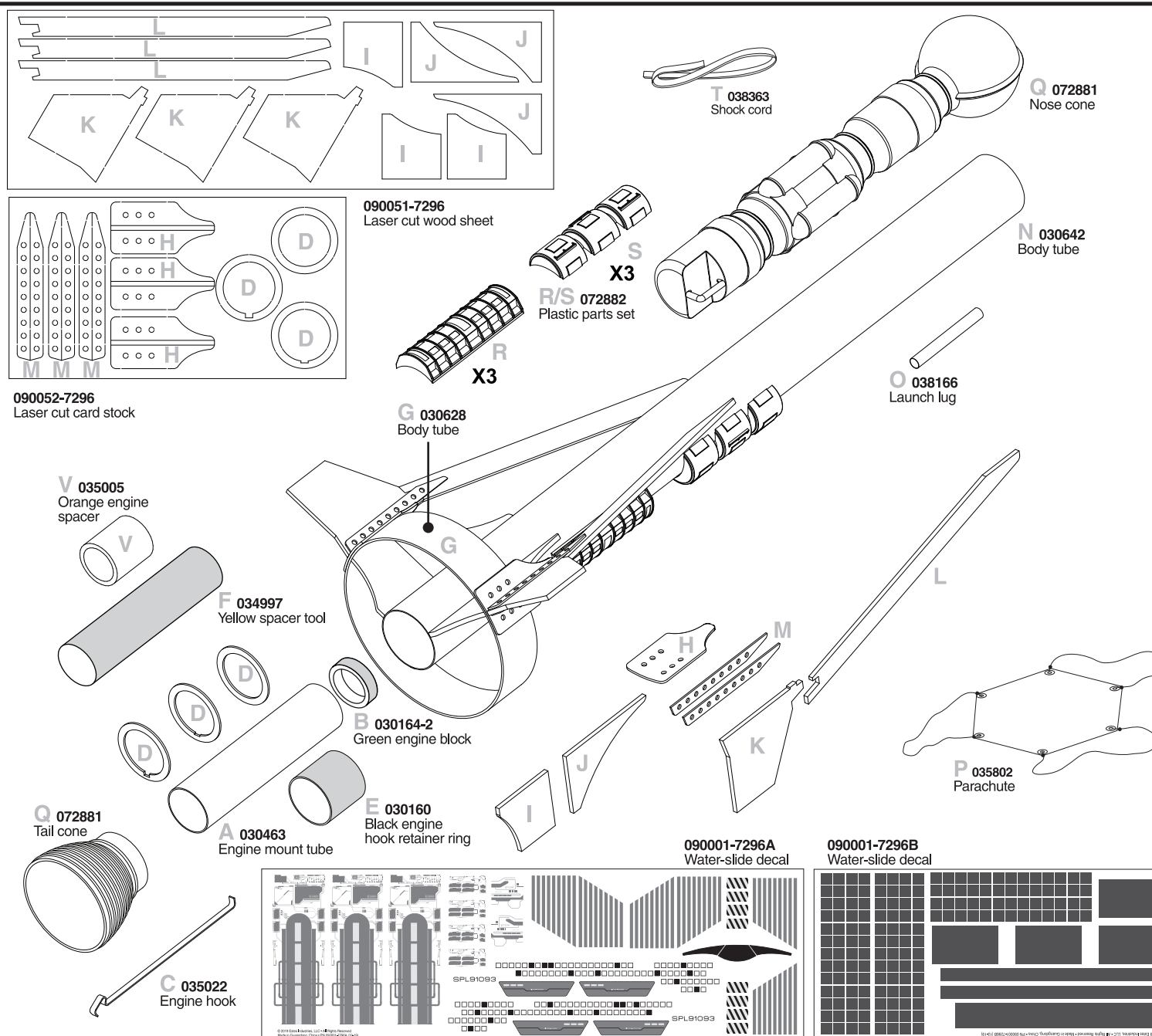
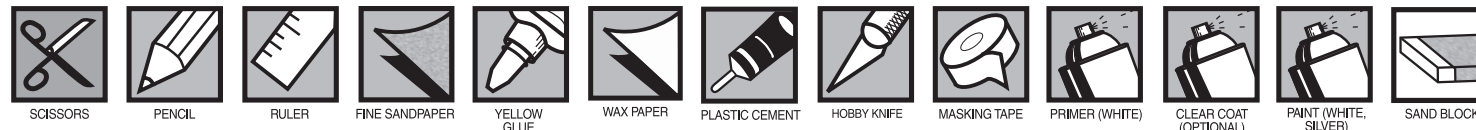
MODEL ROCKET INSTRUCTIONS

KEEP FOR FUTURE REFERENCE

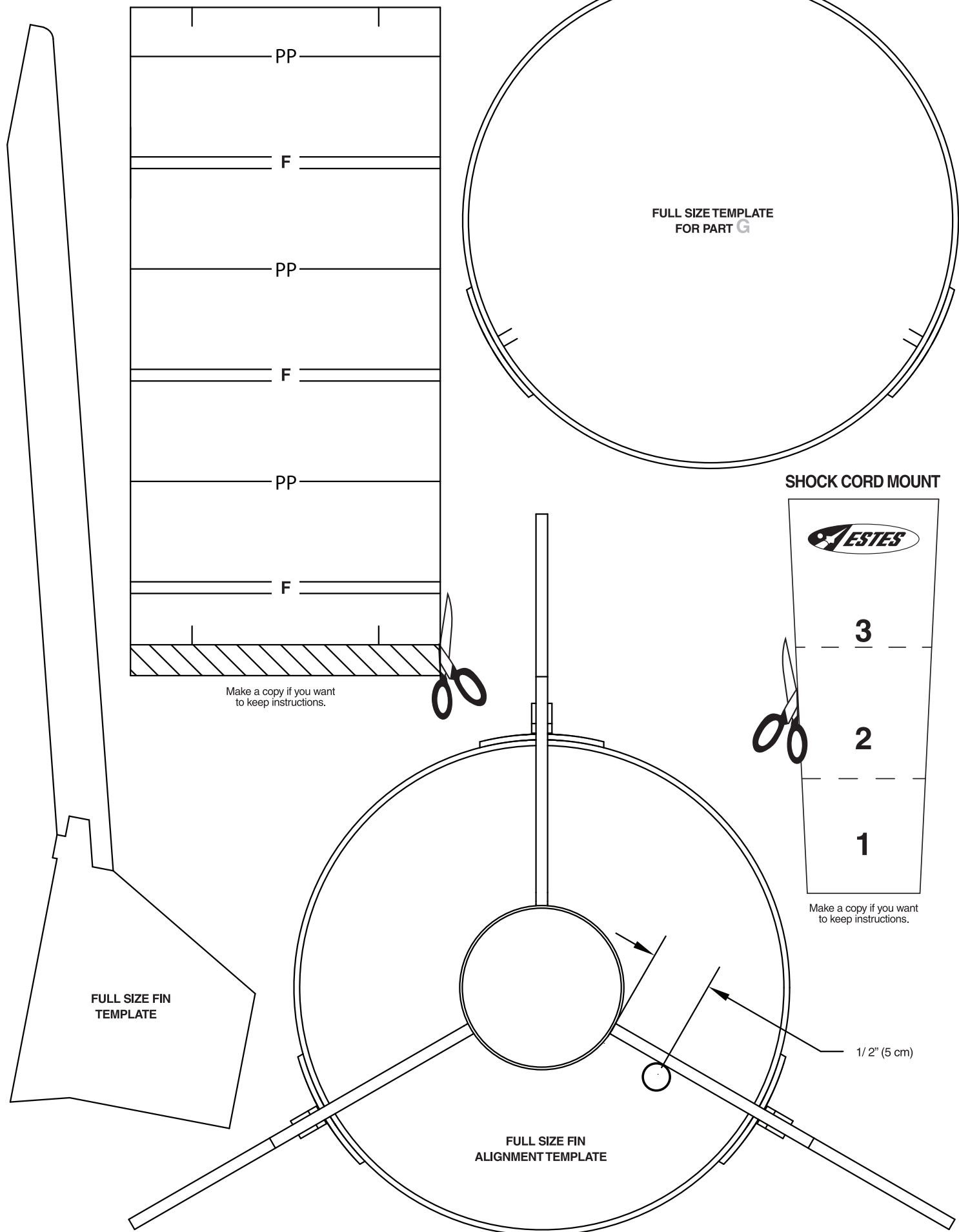
IMPORTANT: Please record date found on decal and keep for future reference. _____

READ ALL INSTRUCTIONS. Make sure you have all parts and supplies. Test fit all parts before applying glue.

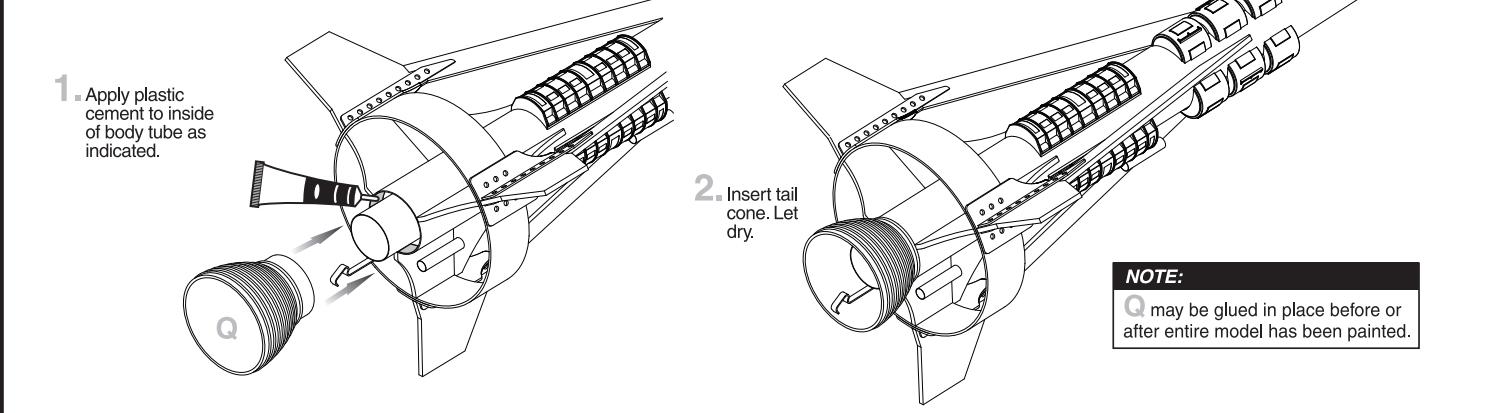
SUPPLIES



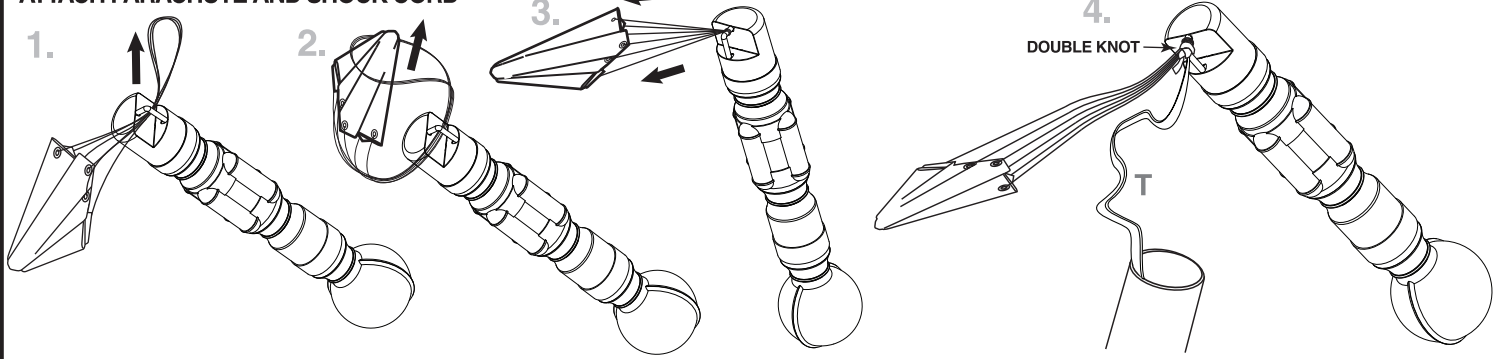
TUBE MARKING GUIDE, SHOCK CORD MOUNT AND FULL SIZE TEMPLATES



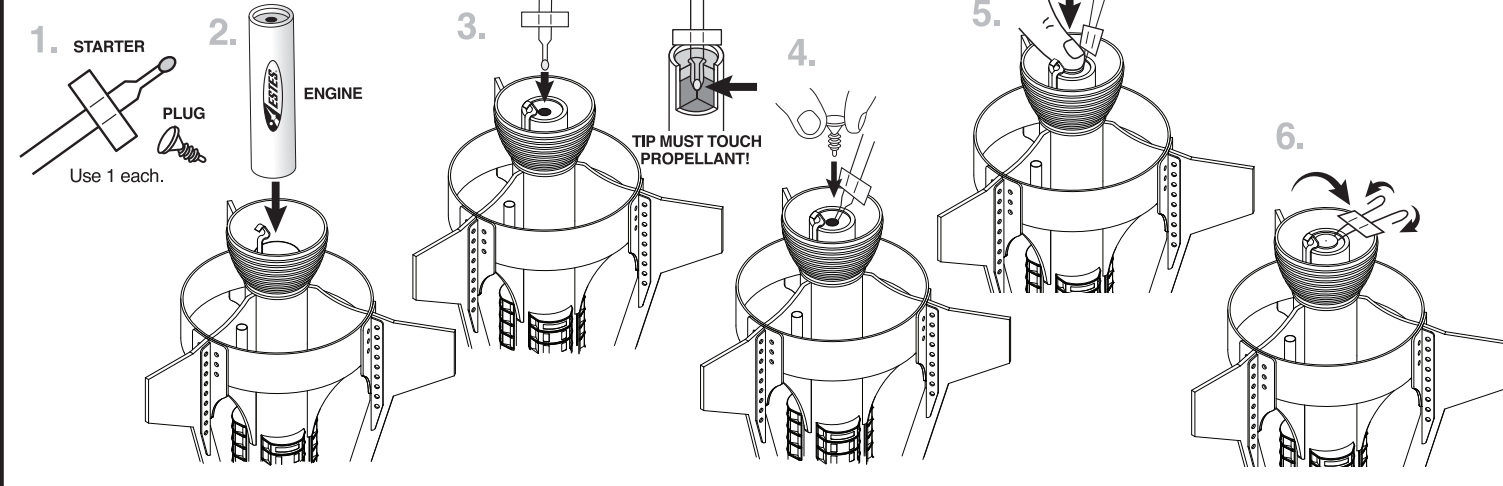
ATTACH TAIL CONE



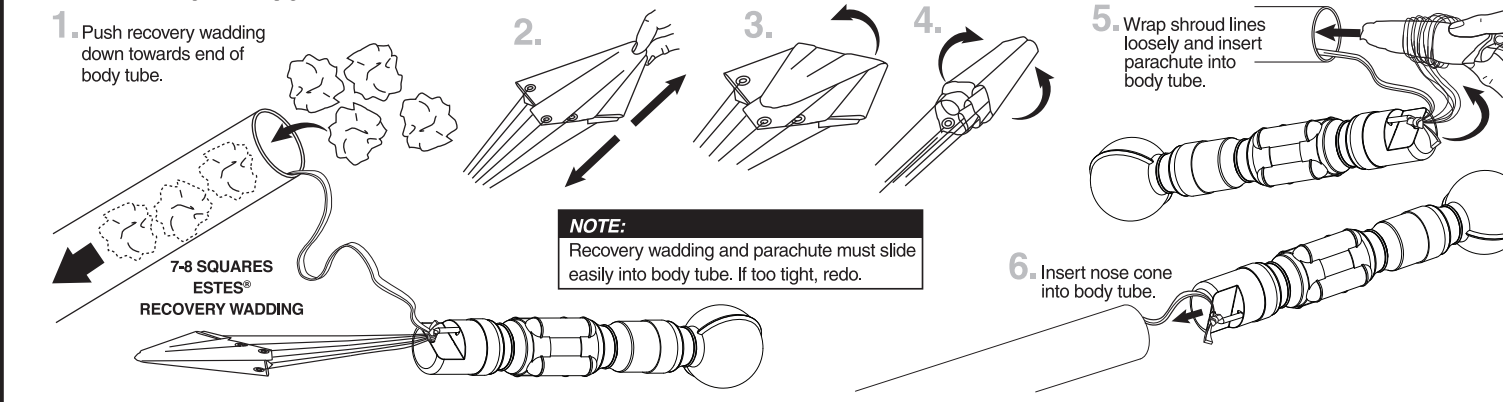
ATTACH PARACHUTE AND SHOCK CORD



PREPARE ENGINE



PREPARE FLIGHT RECOVERY



ATTACH PLASTIC DETAIL PARTS

1. Mark **N** as indicated. Apply plastic cement to bottom of **R** and **S**. Attach **R** and **S** to **N** on marks.
2. Center **R** and **S** on pencil line.

X3
LET DRY

ATTACH LAUNCH LUGS

1. Cut **O** in half.
2. Glue both **O** in place as indicated.

NOTE:
Use full size template on bottom of page 2 for proper alignment of launch lugs. A launch rod can be used to ensure alignment.

ATTACH SHOCK CORD

1. **NOTE:** Cut from page 2.
- 2.
- 3.
4. Hold until set.
5. Apply glue to shock cord mount.
6. Glue shock cord mount to the inside of body tube.
7. 2" (5 cm). Hold until set, let dry.

INSTALL ENGINE MOUNT

1. Apply glue to inside of body tube as indicated.
2. Use **Q** to set distance of engine mount assembly.
3. Insert **Q** until it stops. Remove **Q**. Let dry.

SCRAP BALS

ASSEMBLE ENGINE MOUNT

1. Mark and make slit in **A** as indicated. Dimensions: 3 1/4" (8.3 cm), 2 1/2" (6.4 cm), 1" (25 mm), 1/8" (3 mm) slit.
2. Mark **F** as indicated. Dimension: 1/2" (13 mm).
3. Use **F** (yellow spacer tool) to insert **B** (green engine block) into position. Insert **F** to mark.
4. REMOVE **F** IMMEDIATELY.
5. **C**
6. Carefully remove **D** from laser-cut card stock.
7. DEEP NOTCH.
- 8.
9. SHALLOW NOTCH. Let dry.

MARK AND ASSEMBLE BODY TUBE RING

1. Align **G** with full size marking template on top of Page 2.
2. Mark inside and outside of tube as indicated.
3. Carefully remove **H** from laser-cut card stock.
4. Press **H** down over a round cylinder (such as a broom stick handle) to form a slight curve in part.
5. **NOTE:** Glue goes on the outside of **G**.
6. Ends even. **X3** LET DRY.

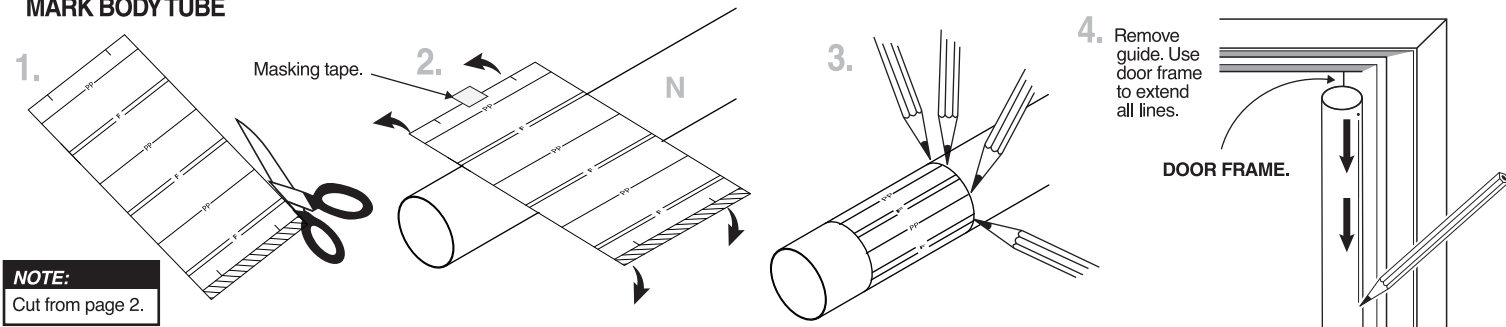
NOTE:
Glue goes on the outside of **G**.

PLACE ON FLAT SURFACE TO ALIGN ENDS OF PARTS

PREPARE OUTER FINS

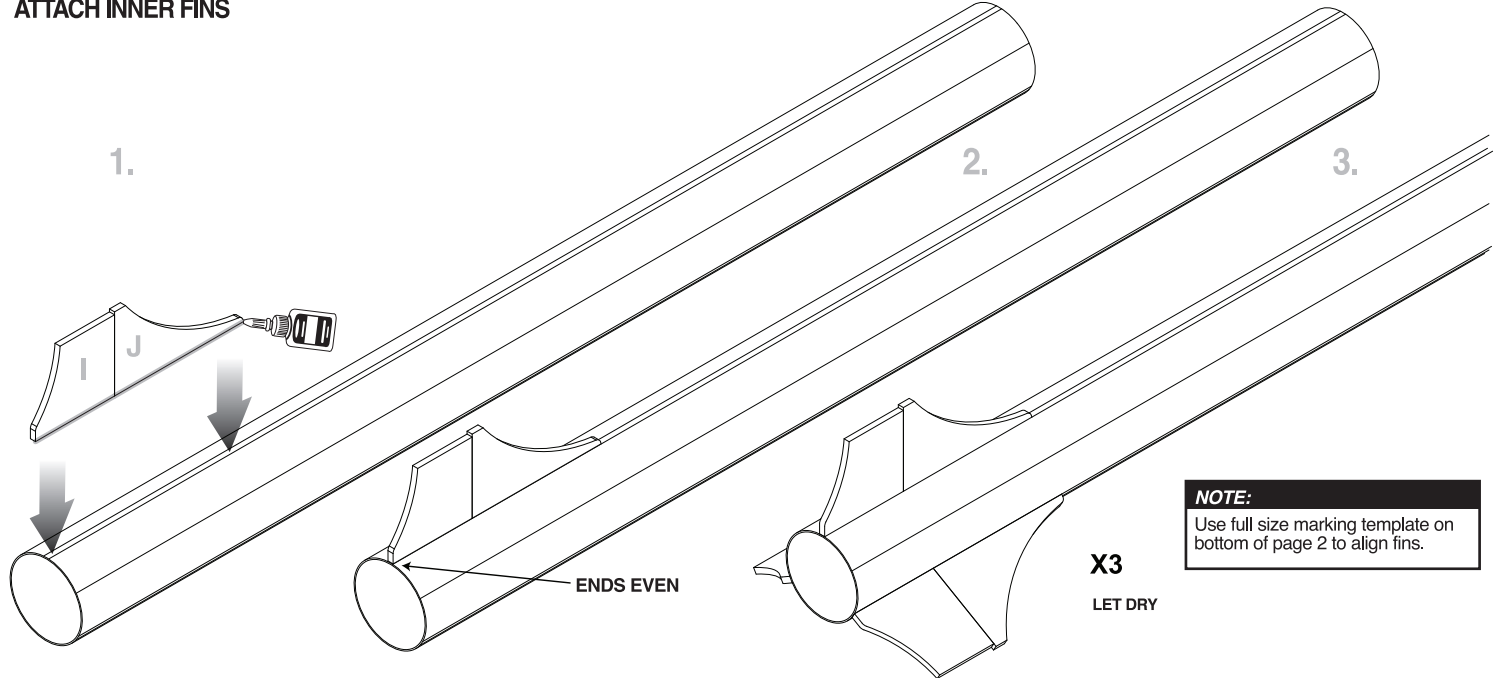
1. Sand both sides.
2. Carefully remove with hobby knife.
3. **NOTE:** Assemble and glue on flat surface covered with wax paper.
4. **X3** LET DRY.
5. Use full size fin template on Page 2 to align **K** and **L**.
6. **X3** LET DRY.

MARK BODY TUBE



NOTE:
Cut from page 2.

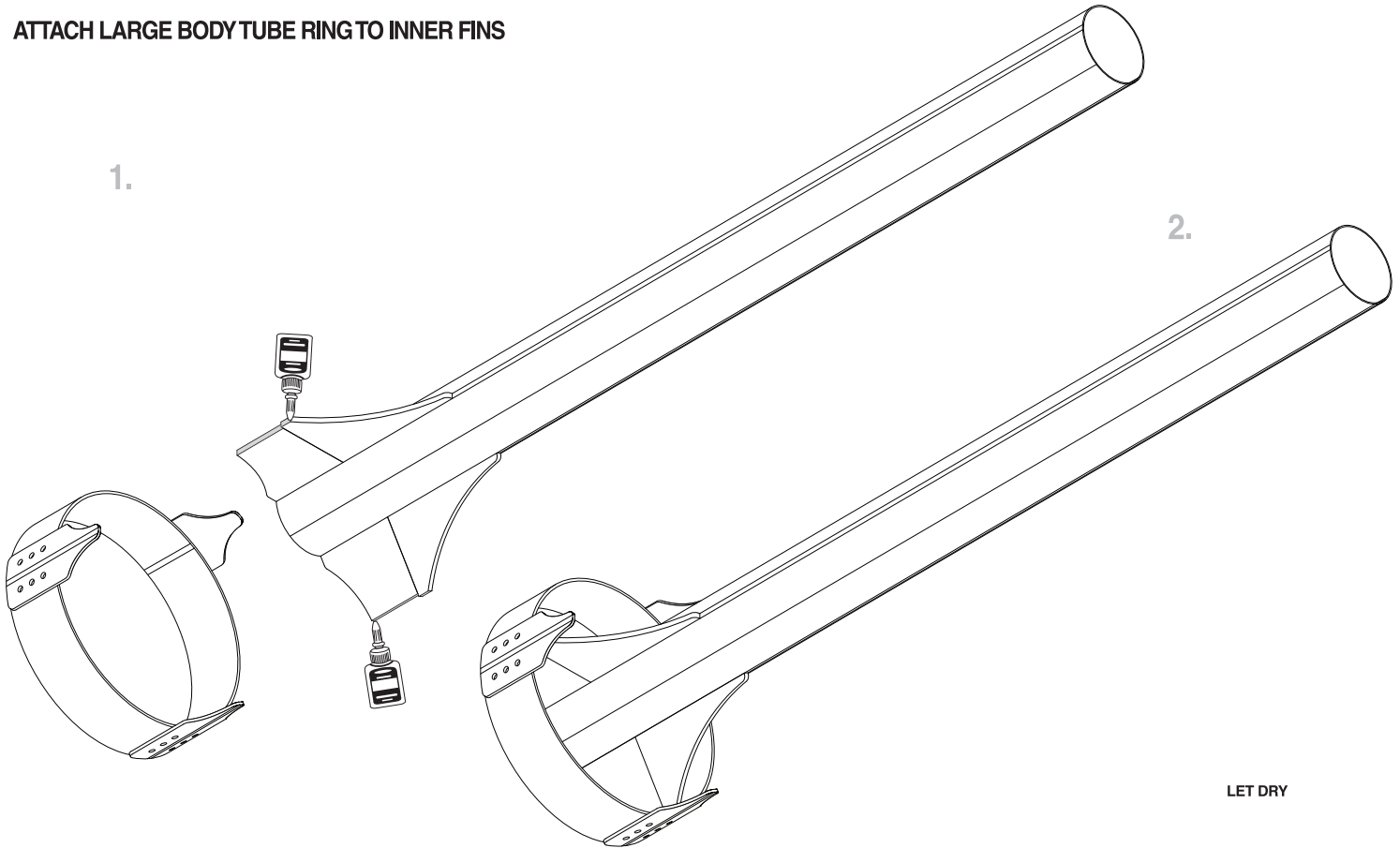
ATTACH INNER FINS



NOTE:
Use full size marking template on bottom of page 2 to align fins.

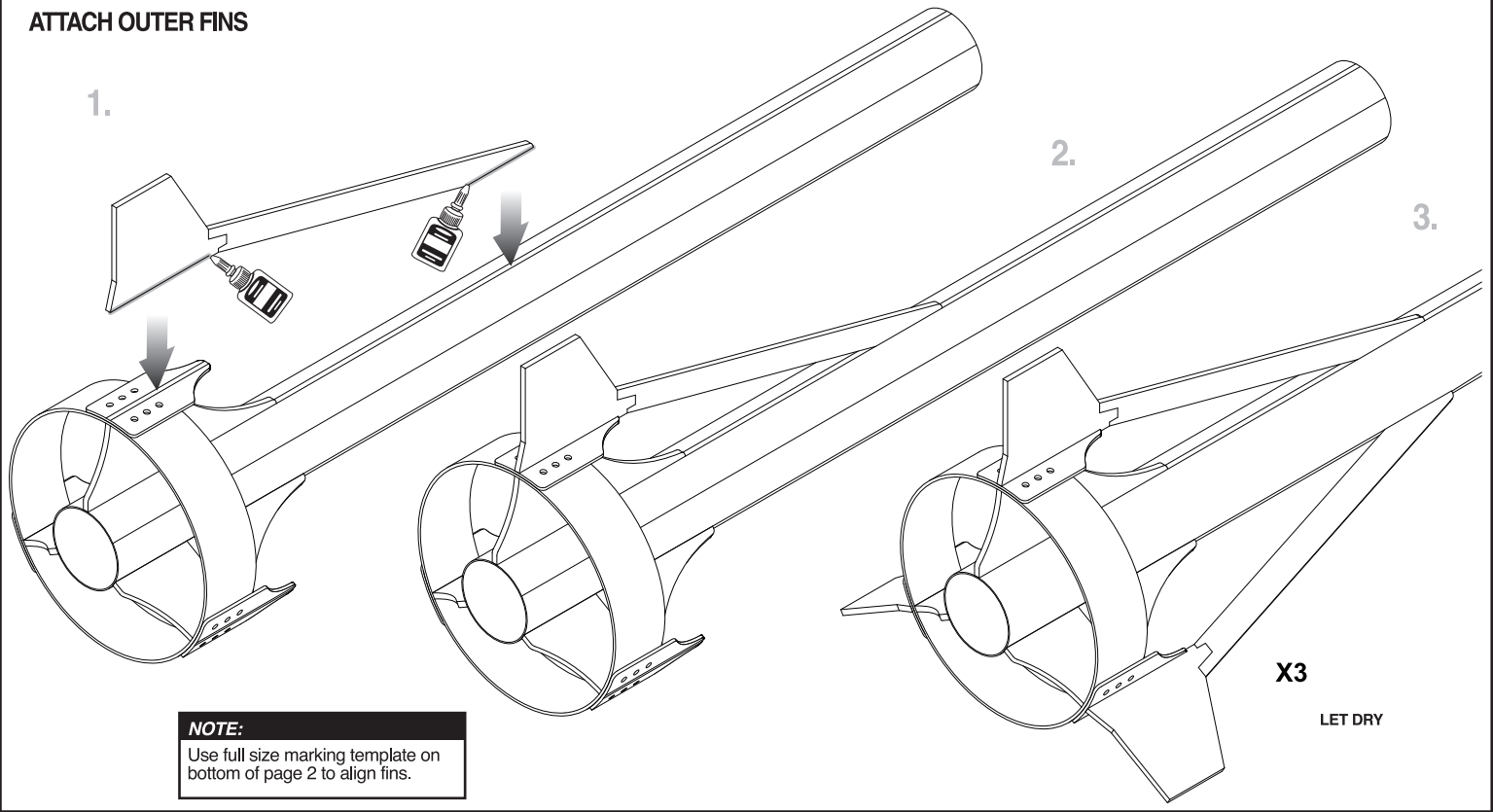
X3
LET DRY

ATTACH LARGE BODY TUBE RING TO INNER FINS



LET DRY

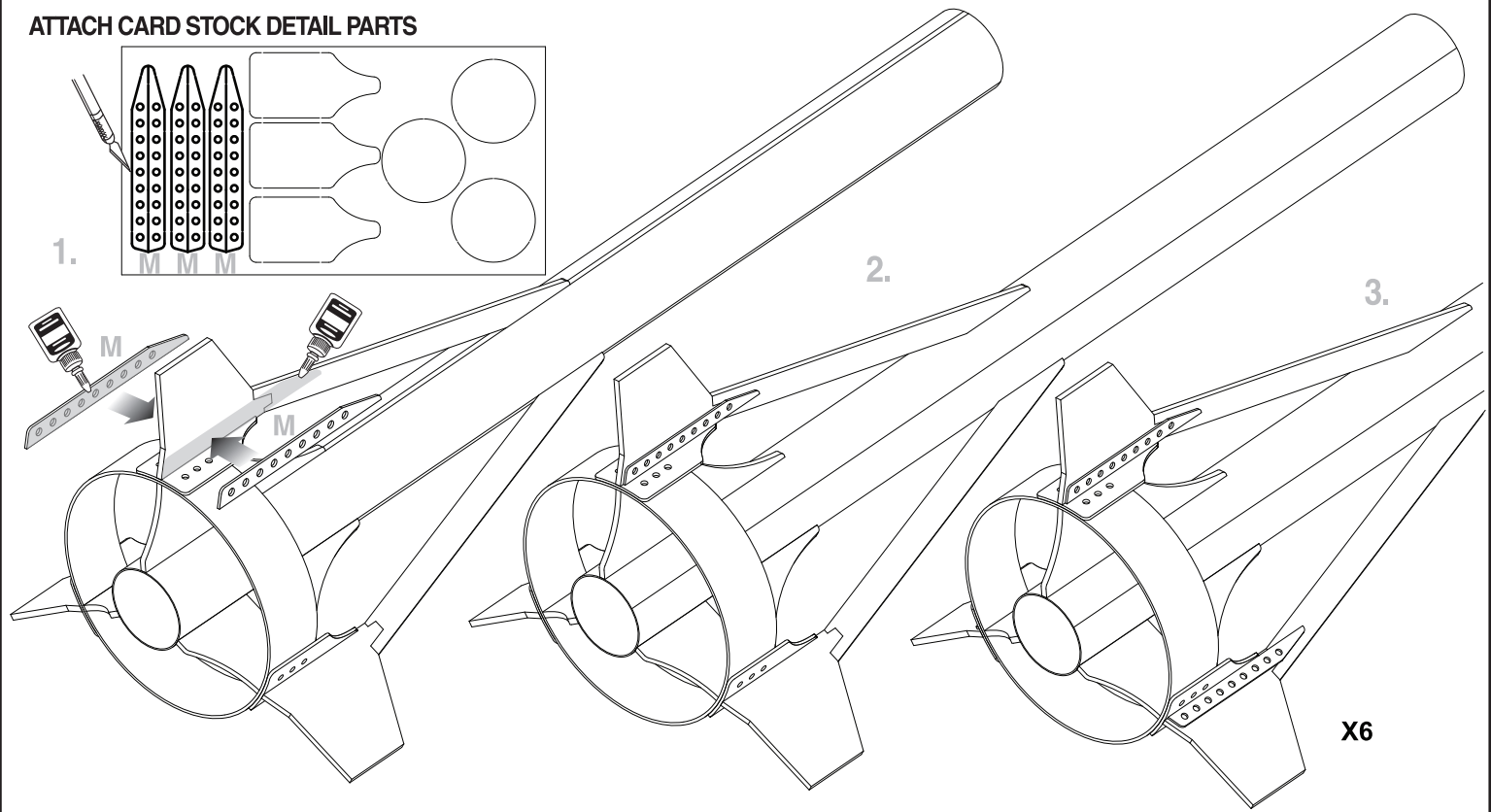
ATTACH OUTER FINS



NOTE:
Use full size marking template on bottom of page 2 to align fins.

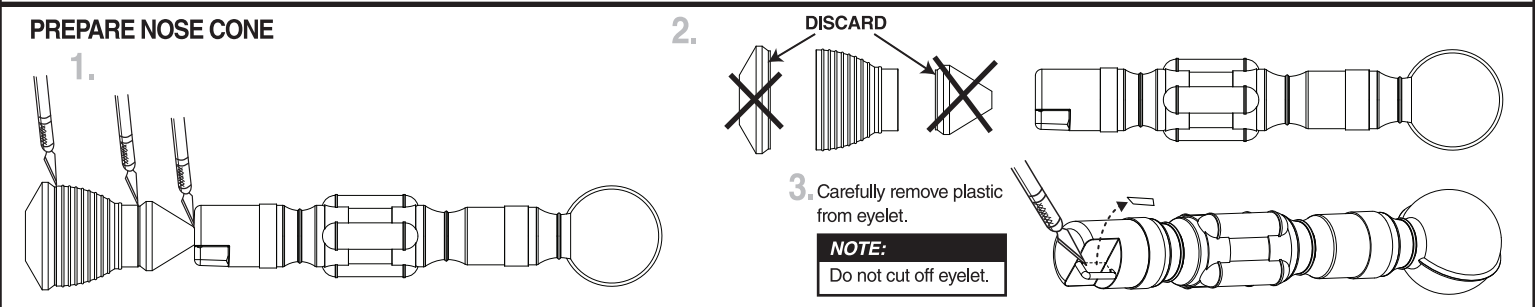
X3
LET DRY

ATTACH CARD STOCK DETAIL PARTS



X6

PREPARE NOSE CONE



NOTE:
Do not cut off eyelet.



EstesRockets.com

MARS LONGSHIP™

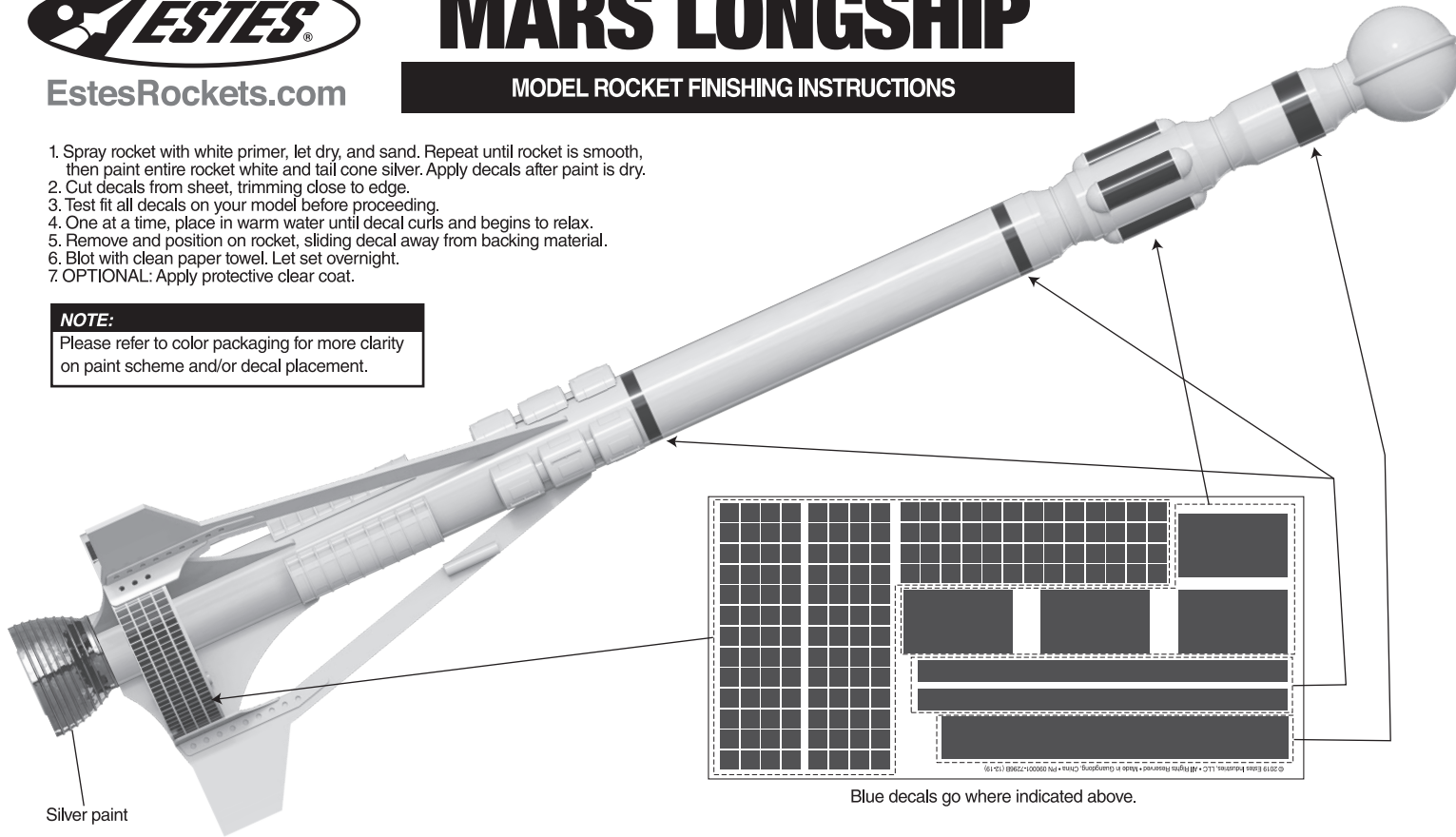
7296

MODEL ROCKET FINISHING INSTRUCTIONS

1. Spray rocket with white primer, let dry, and sand. Repeat until rocket is smooth, then paint entire rocket white and tail cone silver. Apply decals after paint is dry.
2. Cut decals from sheet, trimming close to edge.
3. Test fit all decals on your model before proceeding.
4. One at a time, place in warm water until decal curls and begins to relax.
5. Remove and position on rocket, sliding decal away from backing material.
6. Blot with clean paper towel. Let set overnight.
7. OPTIONAL: Apply protective clear coat.

NOTE:

Please refer to color packaging for more clarity on paint scheme and/or decal placement.



Silver paint

Blue decals go where indicated above.



EstesRockets.com

MARS LONGSHIP™

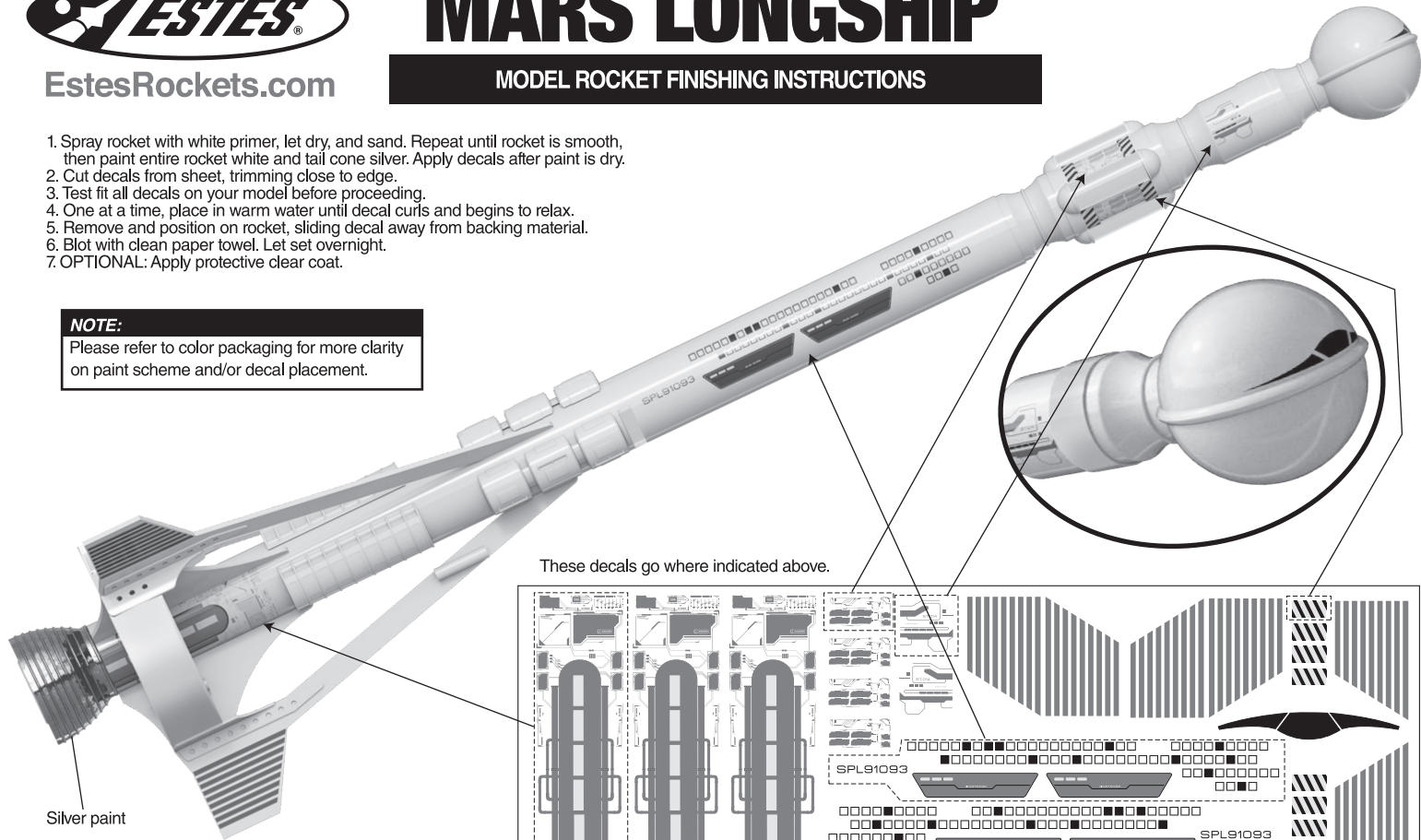
7296

MODEL ROCKET FINISHING INSTRUCTIONS

1. Spray rocket with white primer, let dry, and sand. Repeat until rocket is smooth, then paint entire rocket white and tail cone silver. Apply decals after paint is dry.
2. Cut decals from sheet, trimming close to edge.
3. Test fit all decals on your model before proceeding.
4. One at a time, place in warm water until decal curls and begins to relax.
5. Remove and position on rocket, sliding decal away from backing material.
6. Blot with clean paper towel. Let set overnight.
7. OPTIONAL: Apply protective clear coat.

NOTE:

Please refer to color packaging for more clarity on paint scheme and/or decal placement.



Silver paint

These decals go where indicated above.

