



EstesRockets.com

# DESTINATION MARS™ LEAPER™

7297



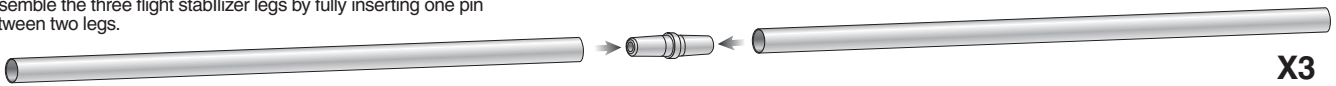
## MODEL ROCKET INSTRUCTIONS

### KEEP FOR FUTURE REFERENCE

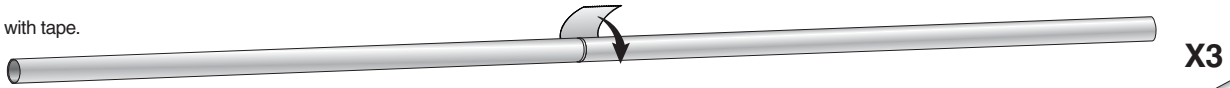
**IMPORTANT:** Please record date found on box and keep for future reference. \_\_\_\_\_

**READ ALL INSTRUCTIONS.** Make sure you have all parts and launch supplies.

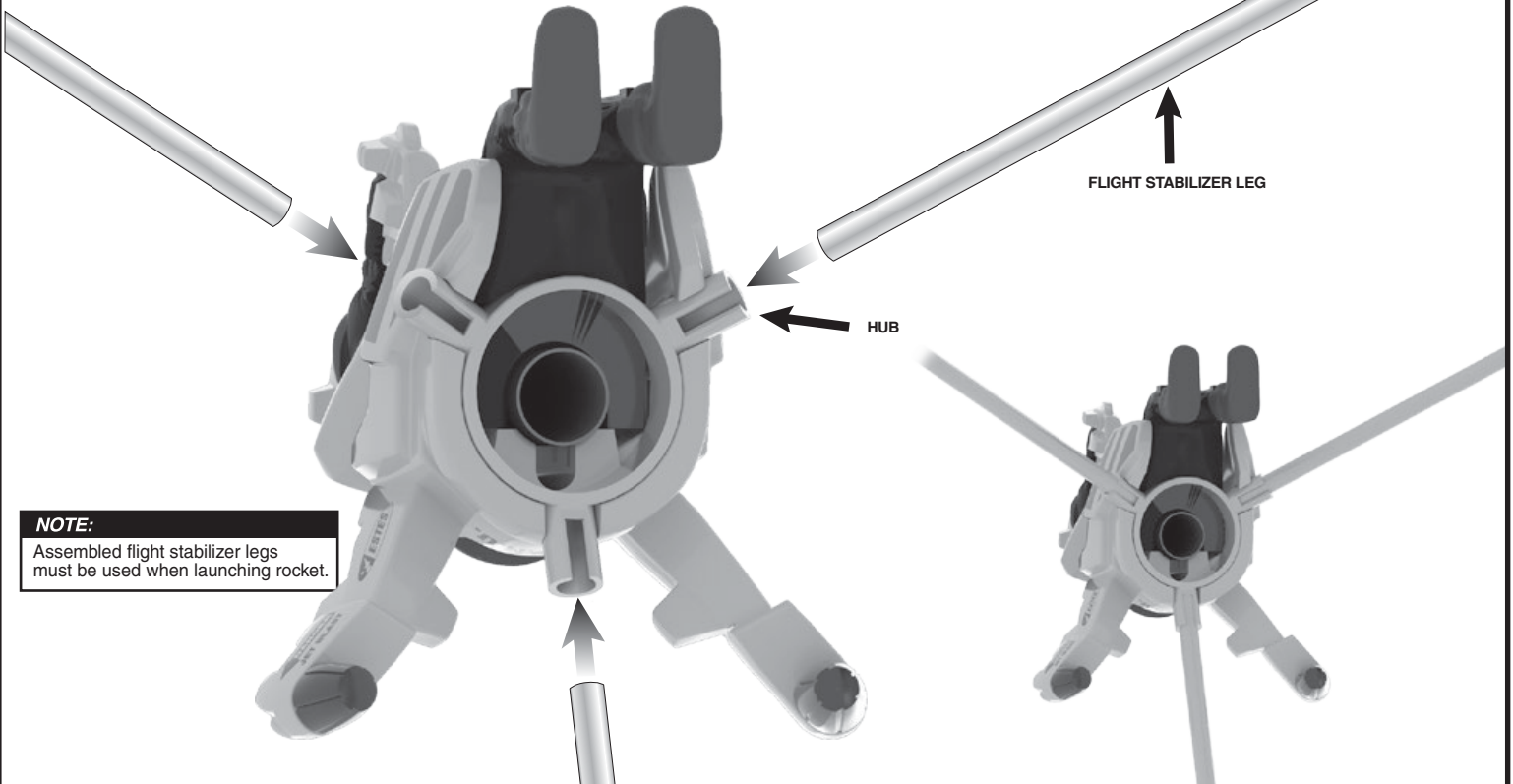
1. Assemble the three flight stabilizer legs by fully inserting one pin between two legs.



2. Wrap the joint with tape.



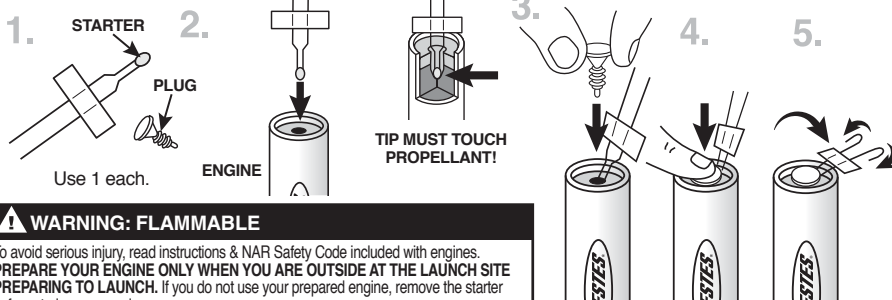
3. Insert the three assembled flight stabilizer legs fully into the hubs.



**NOTE:**

Assembled flight stabilizer legs must be used when launching rocket.

### PREPARE ENGINE



**NOTE:**

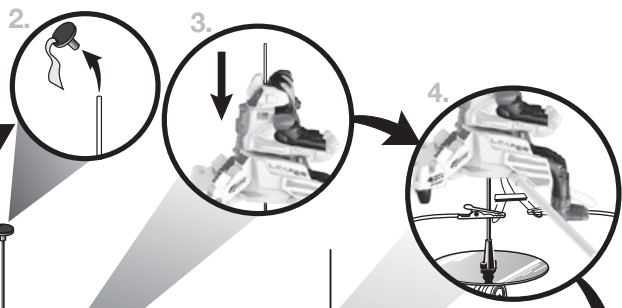
Engine must "friction fit" in the rocket. If necessary, apply masking tape. Engine needs to eject from the rocket, so the "friction fit" can't be too tight

**⚠ WARNING: FLAMMABLE**

To avoid serious injury, read instructions & NAR Safety Code included with engines. **PREPARE YOUR ENGINE ONLY WHEN YOU ARE OUTSIDE AT THE LAUNCH SITE PREPARING TO LAUNCH.** If you do not use your prepared engine, remove the starter before closing your engine.

- ESTES® LAUNCH SUPPLIES NEEDED (Sold Separately)**
- Launch Pad
  - Launch Controller
  - Starters (with engines)
  - Plugs (with engines)
  - Estes® Engines: A10-0T

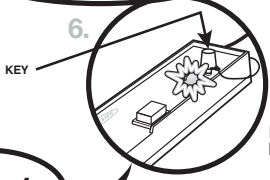
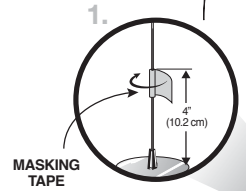
**NOTE:**  
Key always out until final countdown!



Fully extend your launch controller wire before launching.



**NOTE:**  
Flight stabilizer legs must be used when launching rocket.

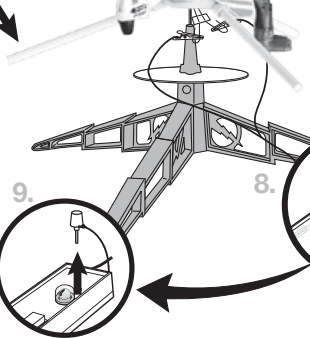
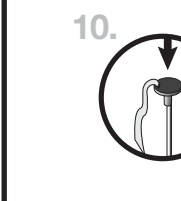


Insert key, push down hard. Bulb will light.



**NOTE:**  
Estimated weight: .8 oz (22.7 g)

**NOTE:**  
If your rocket needs repaired, you will need to use foam safe glue.



While holding key down FIRMLY, press launch button until LIFTOFF!

**FULL ONE-YEAR WARRANTY**

Your Estes product is warranted against defects in materials or workmanship for one year from the date of the original purchase. If this Estes product, because of a manufacturing mistake, malfunctions or proves to be defective within the one-year warranty period, it will be repaired or replaced, at Estes' option and at no charge to you.

This warranty does not cover incidental or consequential damage to persons or property caused by the use, abuse, misuse, failure to comply with operating instructions or improper storage of the warranted products. Some states do not allow the exclusion or limitation of incidental or consequential damages, so the above exclusion may not apply to you. This warranty gives you specific legal rights and you may also have other rights which vary from state to state.

For repair or replacement under this warranty, please contact us at [www.estesrockets.com](http://www.estesrockets.com) or by mail at Estes-Cox Corp., Customer Service Department, 1295 H Street, PO Box 227, Penrose, Colorado 81240-0227.

**National Association of Rocketry MODEL ROCKET SAFETY CODE (Basic Version, Eff. August 2012)**



- Materials.** I will use only lightweight, non-metal parts for the nose, body, and fins of my rocket.
- Motors.** I will use only certified, commercially-made model rocket motors, and will not tamper with these motors or use them for any purposes except those recommended by the manufacturer.
- Ignition System.** I will launch my rockets with an electrical launch system and electrical motor igniters. My launch system will have a safety interlock in series with the launch switch, and will use a launch switch that returns to the "off" position when released.
- Misfires.** If my rocket does not launch when I press the button of my electrical launch system, I will remove the launcher's safety interlock or disconnect its battery, and will wait 60 seconds after the last launch attempt before allowing anyone to approach the rocket.
- Launch Safety.** I will use a countdown before launch, and will ensure that everyone is paying attention and is a safe distance of at least 15 feet away when I launch rockets with D motors or smaller, and 30 feet when I launch larger rockets. If I am uncertain about the safety or stability of an untested rocket, I will check the stability before flight and will fly it only after warning spectators and clearing them away to a safe distance. When conducting a simultaneous launch of more than ten rockets I will observe a safe distance of 1.5 times the maximum expected altitude of any launched rocket.
- Launcher.** I will launch my rocket from a launch rod, tower, or rail that is pointed to within 30 degrees of the vertical to ensure that the rocket flies nearly straight up, and I will use a blast deflector to prevent the motor's exhaust from hitting the ground. To prevent accidental eye injury, I will place launchers so that the end of the launch rod is above eye level or will cap the end of the rod when it is not in use.
- Size.** My model rocket will not weigh more than 1,500 grams (53 ounces) at liftoff and will not contain more than 125 grams (4.4 ounces) of propellant or 320 N-sec (71.9 pound-seconds) of total impulse.
- Flight Safety.** I will not launch my rocket at targets, into clouds, or near airplanes, and will not put any flammable or explosive payload in my rocket.
- Launch Site.** I will launch my rocket outdoors, in an open area at least as large as shown in the accompanying table, and in safe weather conditions with wind speeds no greater than 20 miles per hour. I will ensure that there is no dry grass close to the launch pad, and that the launch site does not present risk of grass fires.
- Recovery System.** I will use a recovery system such as a streamer or parachute in my rocket so that it returns safely and undamaged and can be flown again, and I will use only flame-resistant or fireproof recovery system wadding in my rocket.
- Recovery Safety.** I will not attempt to recover my rocket from power lines, tall trees, or other dangerous places.

**LAUNCH SITE DIMENSIONS**

Installed Total Impulse (N-sec)	Equivalent Motor Type	Minimum Site Dimensions (ft.)
0.00-1.25	1/4A, 1/2A	50
1.26-2.50	A	100
2.51-5.00	B	200
5.01-10.00	C	400
10.01-20.00	D	500
20.01-40.00	E	1,000
40.01-80.00	F	1,000
80.01-160.00	G	1,000
160.01- 320.00	Two Gs	1,500

**PRECAUTIONS**



**PRE-LAUNCH CHECK** For safety, never launch a damaged rocket. Check the rocket's body, nose cone and fins. Also, check the engine mount, recovery system and launch lug(s). Repair any damage before launching the rocket.

**FLYING YOUR ROCKET** Choose a large field (500 ft [152 m] square) free of dry weeds and brown grass. The larger the launch area, the better your chance of recovering your rocket. Football fields and playgrounds are great. Launch only with little or no wind and good visibility. Always follow the National Association of Rocketry (NAR) SAFETY CODE.

**MISFIRES TAKE THE KEY OUT OF THE CONTROLLER. WAIT ONE MINUTE BEFORE GOING NEAR THE ROCKET.** Disconnect the micro-clips and remove the engine. Take the plug and starter out of the engine. A burned starter means the starter tip was not touching engine propellant. Install a new starter; be sure the tip is touching propellant inside the engine. Push the plug in place. Repeat steps under Countdown and Launch.