



EstesRockets.com

CELESTIAL EXPLORER™

0689

AGES
10+



Skill Level

BEGINNER

MODEL ROCKET INSTRUCTIONS

KEEP FOR FUTURE REFERENCE

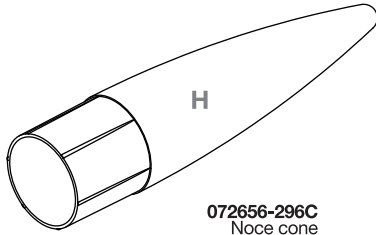
IMPORTANT: Please record date found on decal and keep for future reference. _____

Read all instructions. Make sure you have all parts and supplies.

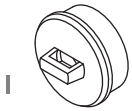
SUPPLIES



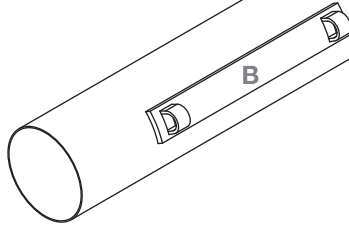
PLASTIC CEMENT



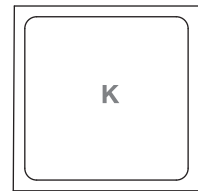
072656-296C
Noce cone



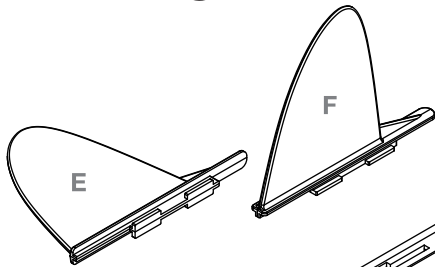
072654-CLEAR
Nose cone pin



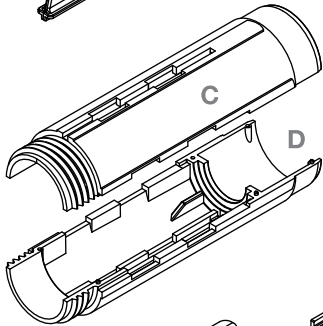
085900
11.5 in Body tube



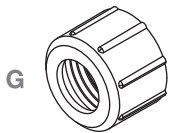
066459
Clear reinforcement tape



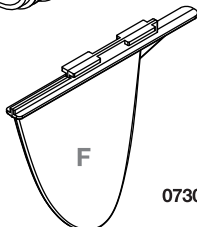
073057-296C
Engine mount



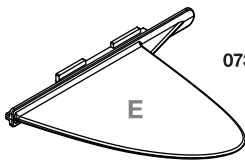
073058-296C
Engine mount



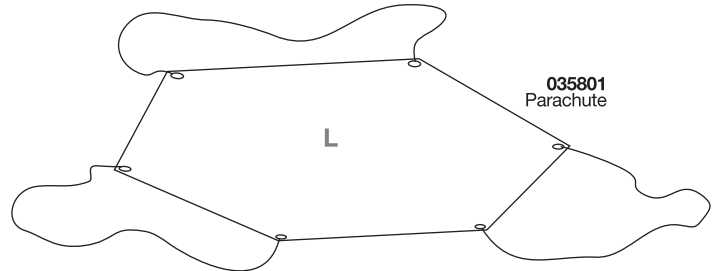
068231-Cool Grey 6 C
Engine retainer cap



073061-Cool Grey 6 C
Fins **x2**



073061t-2197C
Fins **x2**



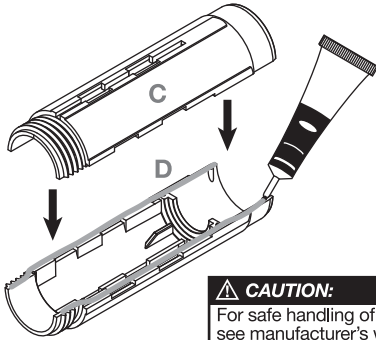
035801
Parachute

090001-0689
Self stick decals

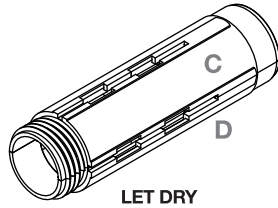


ASSEMBLE ENGINE MOUNT AND FINS

1. Apply plastic cement to the edges of **D**.

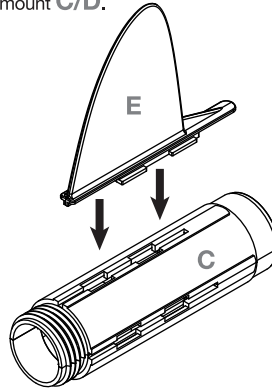


2. Press **C** and **D** together.

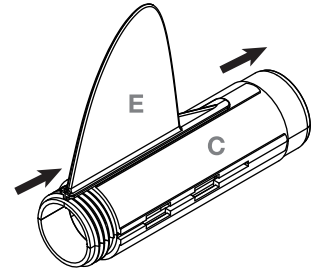


CAUTION:
For safe handling of plastic cement, see manufacturer's warnings and follow instructions for use.

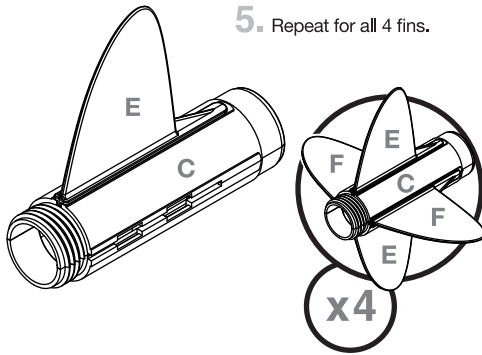
3. Insert fin **E** into slot in engine mount **C/D**.



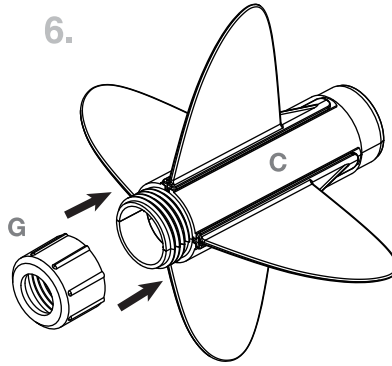
4. Slide fin forward to lock into place.



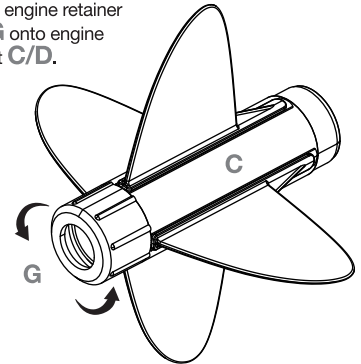
5. Repeat for all 4 fins.



6.

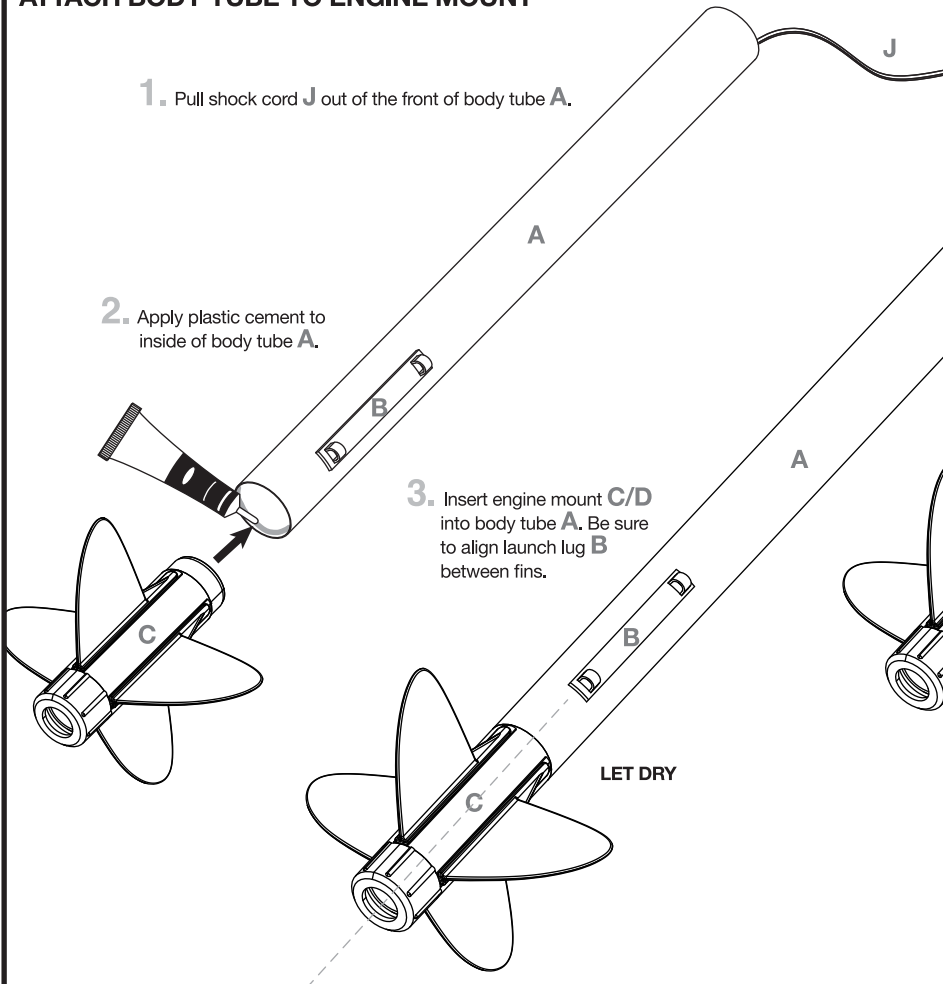


7. Screw engine retainer cap **G** onto engine mount **C/D**.



ATTACH BODY TUBE TO ENGINE MOUNT

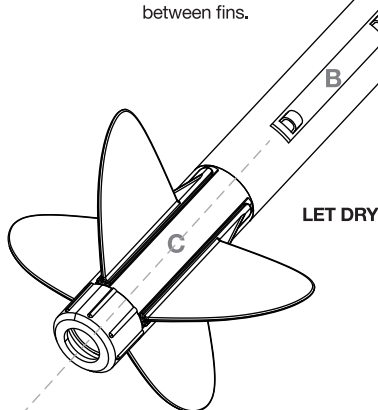
1. Pull shock cord **J** out of the front of body tube **A**.



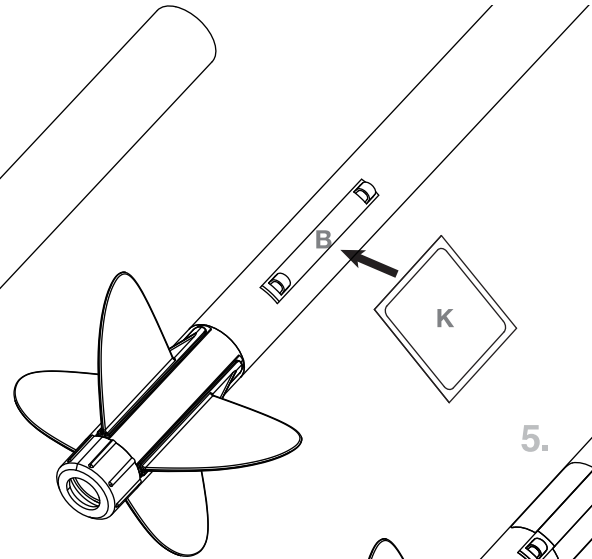
2. Apply plastic cement to inside of body tube **A**.



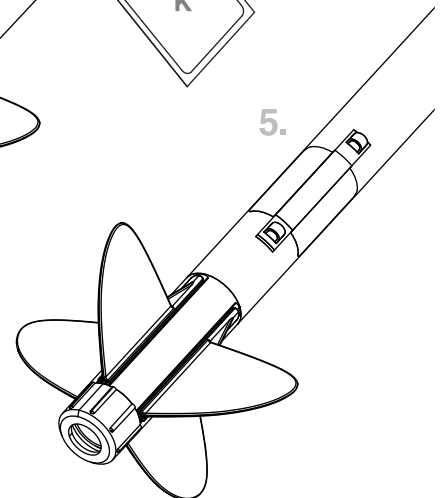
3. Insert engine mount **C/D** into body tube **A**. Be sure to align launch lug **B** between fins.



4. Place clear reinforcement tape **K** over launch lug **B**.

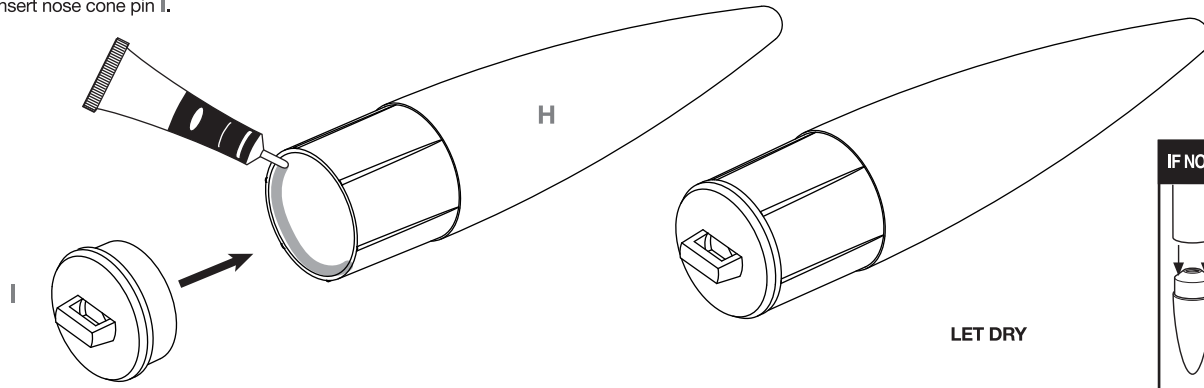


5.

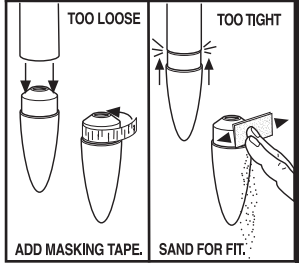


ASSEMBLE NOSE CONE

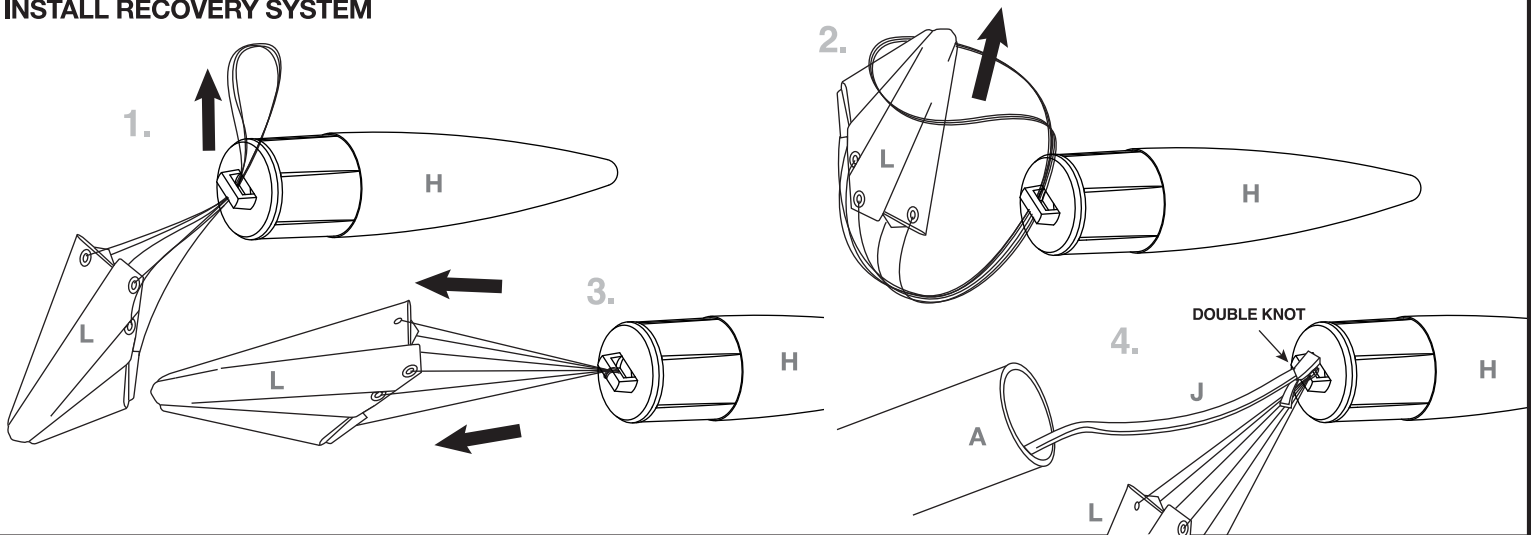
1. Apply plastic cement to the inside of nose cone **H** and insert nose cone pin **I**.



IF NOSE CONE FIT IS...

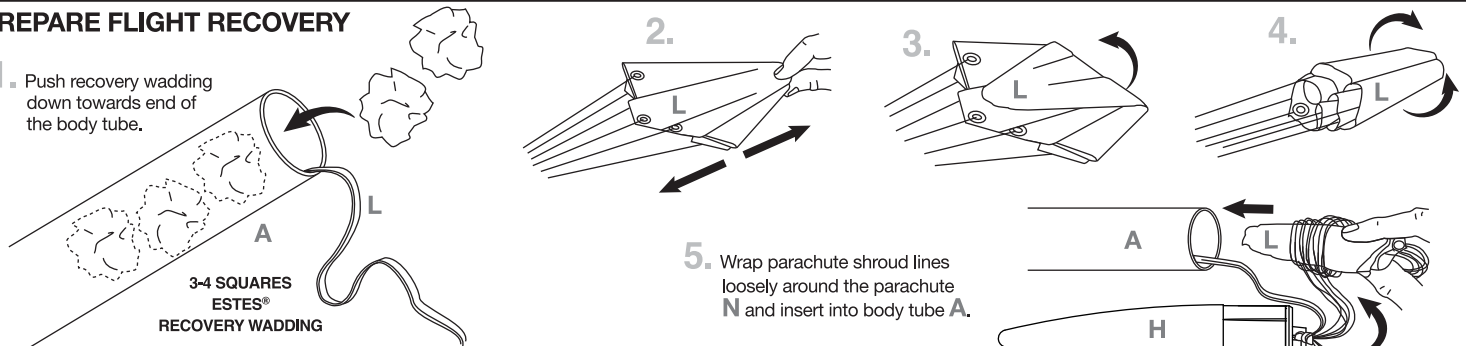


INSTALL RECOVERY SYSTEM



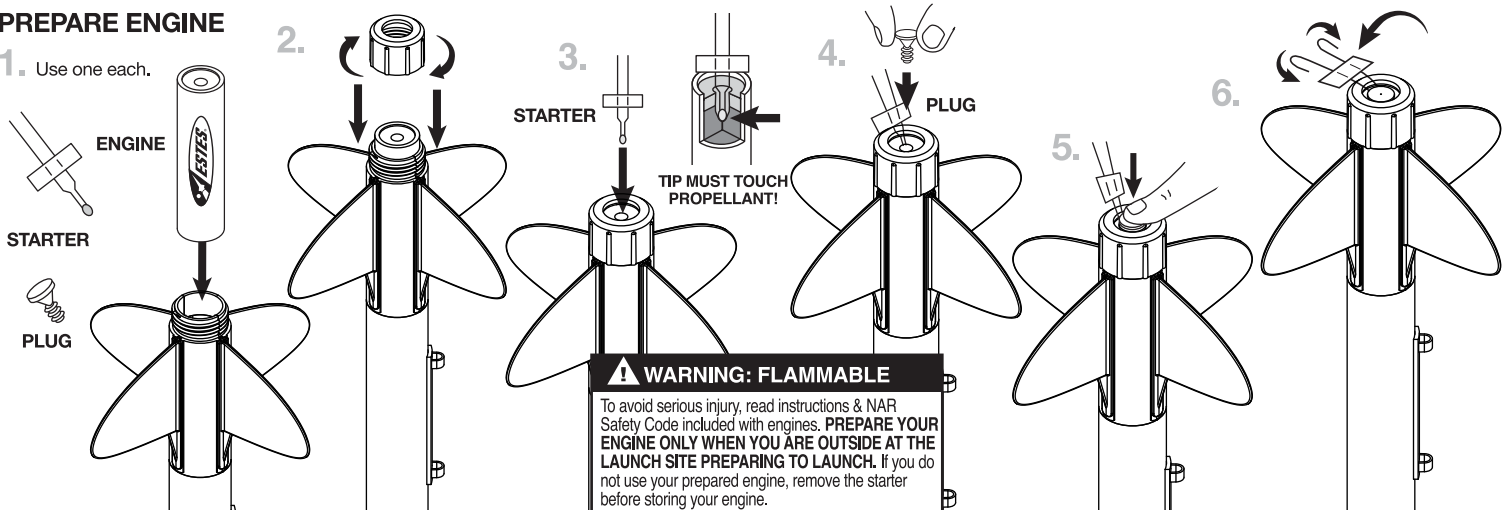
PREPARE FLIGHT RECOVERY

1. Push recovery wadding down towards end of the body tube.



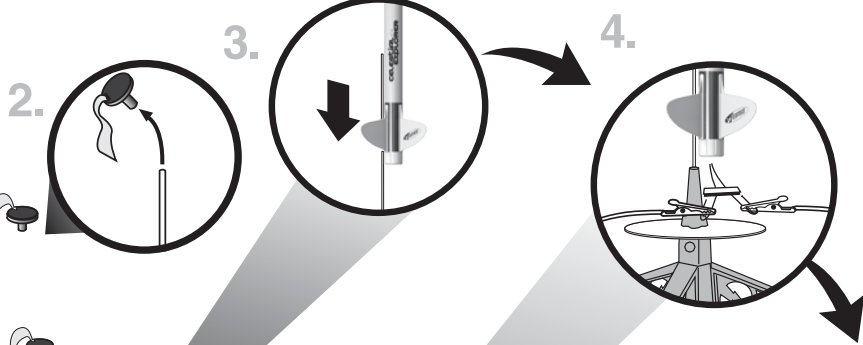
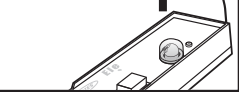
PREPARE ENGINE

1. Use one each.

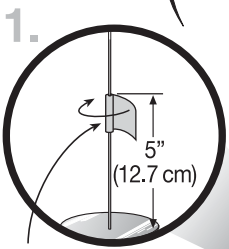


NOTE:

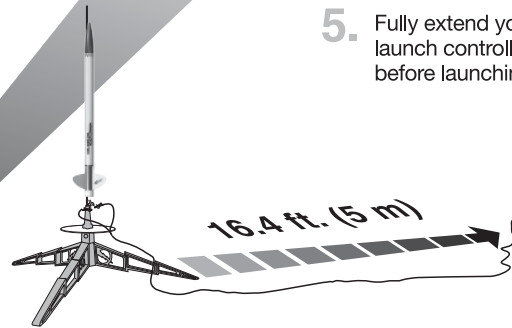
Always keep the key **OUT** until final countdown.



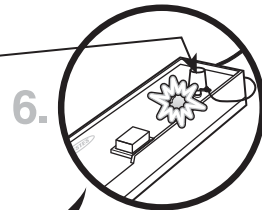
5. Fully extend your launch controller wire before launching.



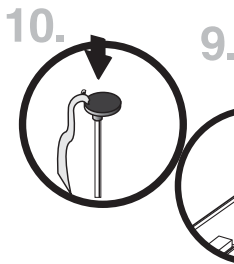
MASKING TAPE



KEY



Insert key, push down hard. Bulb will light.



While holding key down **FIRMLY**, press launch button until **LIFTOFF!**

NOTE:

Estimated weight: 1.7 oz. (48.2 g)

ESTES® LAUNCH SUPPLIES NEEDED (Sold Separately)

- Porta-Pad® II Launch Pad
- Electron Beam® Launch Controller
- Recovery Wadding
- Starters (with engines)
- Plugs (with engines)
- Estes® Engines: A8-3, B6-4, C6-5

PRECAUTIONS



NAR SAFETY CODE



NO DRY GRASS OR WEEDS

PRE-LAUNCH CHECK For safety, never launch a damaged rocket. Check the rocket's body, nose cone and fins. Also, check the engine mount, recovery system and launch lug(s). Repair any damage before launching the rocket.

FLYING YOUR ROCKET Choose a large field (500 ft. [152 m] square) free of dry weeds and brown grass. The larger the launch area, the better your chance of recovering your rocket. Launch only with little or no wind and good visibility. Always follow the National Association of Rocketry (NAR) SAFETY CODE (enclosed).

MISFIRES TAKE THE KEY OUT OF THE CONTROLLER. WAIT ONE MINUTE BEFORE GOING NEAR THE ROCKET. Disconnect the micro-clips and remove the engine. Take the plug and starter out of the engine. A burned starter means the starter tip was not touching engine propellant. Install a new starter; be sure the tip is touching propellant inside the engine. Push the plug in place. Repeat steps under Countdown and Launch.

