



estesrockets.com

RED FLARE™

1954

AGES
10+



Skill Level

INTERMEDIATE

MODEL ROCKET INSTRUCTIONS

KEEP FOR FUTURE REFERENCE

IMPORTANT: Please record date found on decal and keep for future reference. _____

READ ALL INSTRUCTIONS. Make sure you have all parts and supplies. Test fit all parts before applying glue. Refer to your glue manufacturer's dry times during build.

SUPPLIES NEEDED



SCISSORS



PENCIL



RULER



FINE
SANDPAPER



CARPENTER'S
GLUE



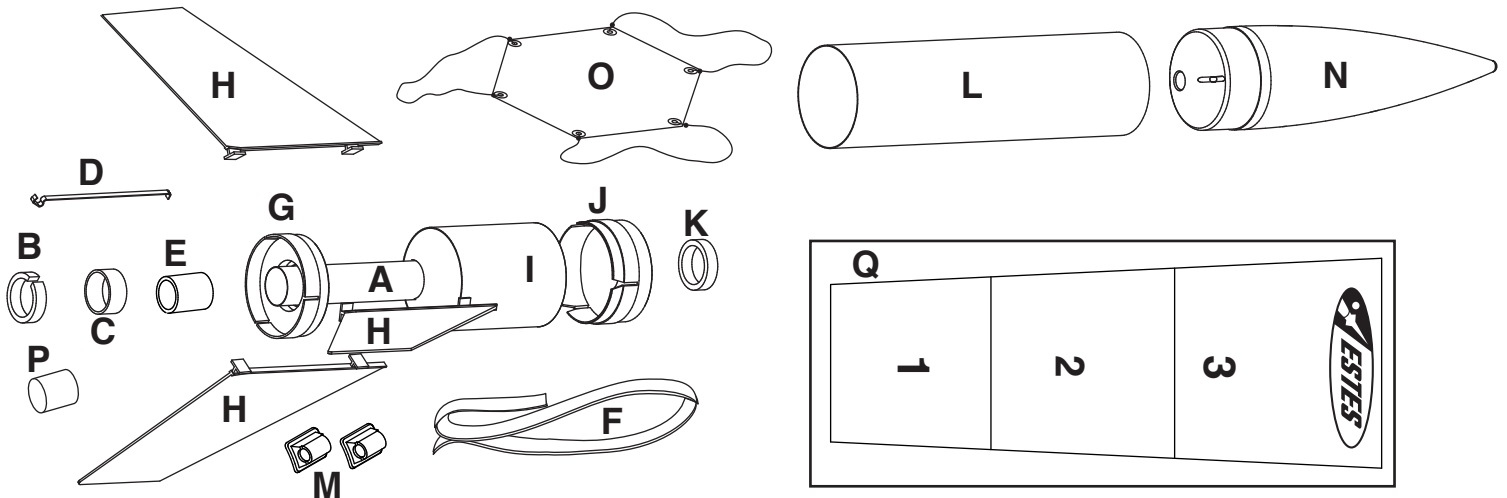
HOBBY KNIFE



MASKING
TAPE

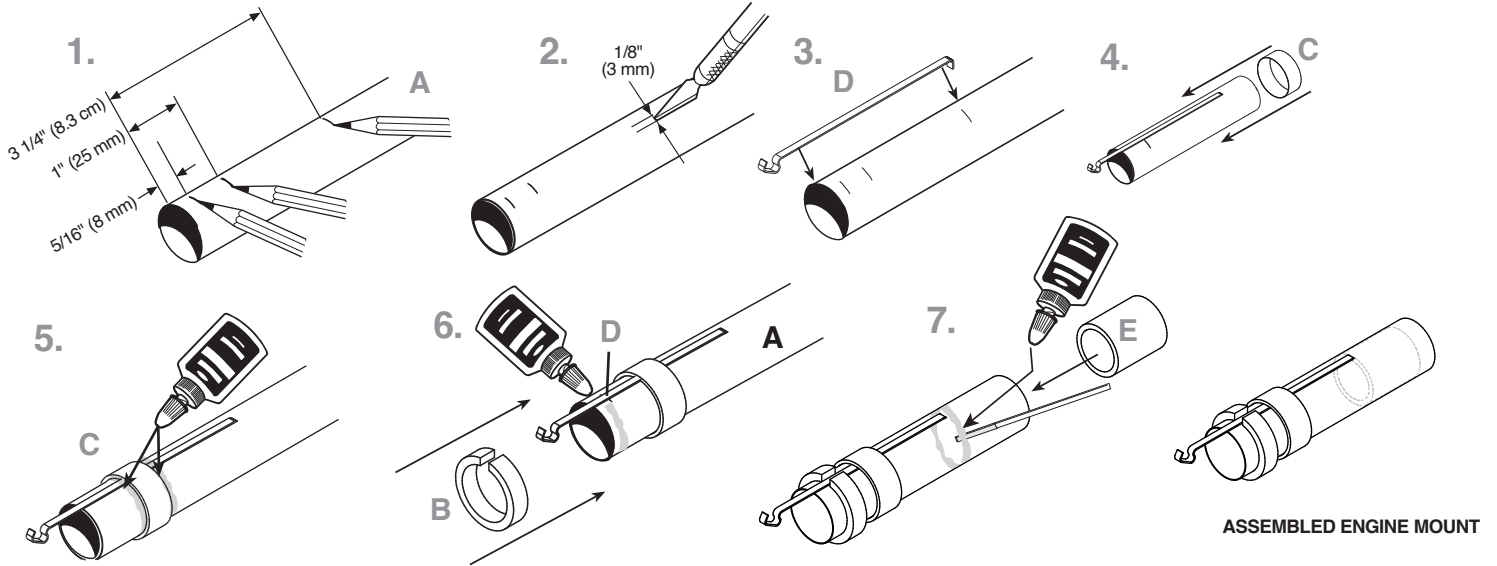


PLASTIC
CEMENT

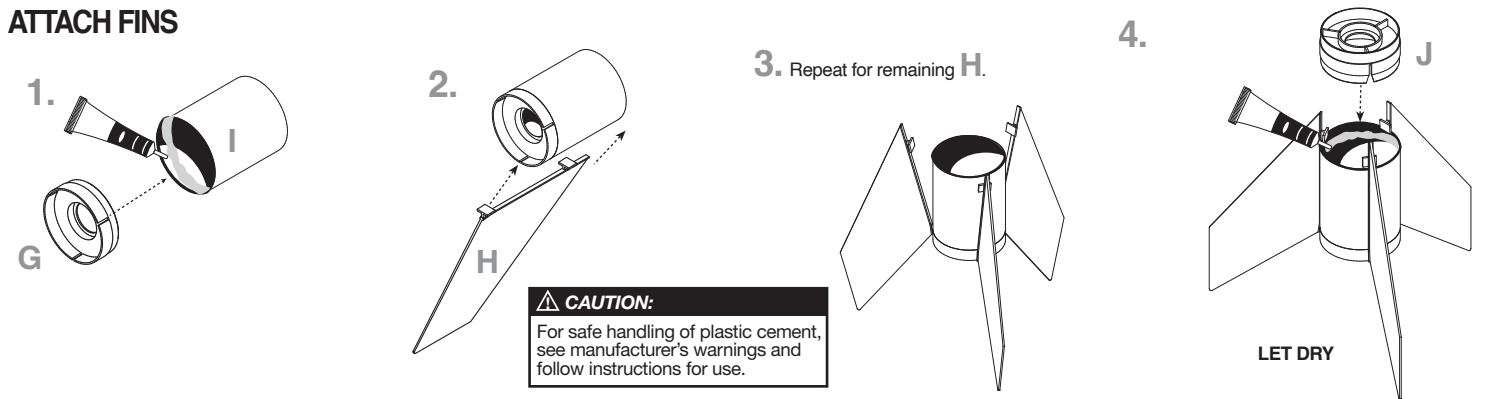


Part Piezas Pièce	Qty Ctd. Qté	Description Descripción Description	Part Number Número de la Pieza N° de pièce
A	1	Engine mount tube / Tubo del soporte del motor / Tube bâti moteur	031767
B	1	Green split adapter ring / Aro adaptador de abertura verde / Bague adaptatrice à fente vert	080427
C	1	Black engine hook retainer ring / Aro del gancho de retención negro para el motor / Bague de retenue de crochet de moteur noire	030480
D	1	E Engine Hook / Gancho del Motor E / Crochet de moteur E	035022
E	1	Engine block / Bloque del motor / Bloc-moteur	030165-2
F	1	Shock cord / Cuerda de tensión / Sandow	038363
G	1	Plastic lower ring / Aro de plástico inferior / Bague inférieure en matière plastique	033389
H	3	Plastic fins / Aletas de plástico / Ailerons en matière plastique	033389
I	1	Body tube / Tubo del cuerpo / Tube du corps	031806
J	1	Plastic upper ring / Aro de plástico superior / Bague supérieure en matière plastique	033389
K	1	Green adapter ring / Aro adaptador verde / Bague adaptatrice vert	030166-2
L	1	Body tube / Tubo del cuerpo / Tube du corps	031807
M	2	Launch lugs / Agarraderas de lanzamiento / Cosses de lancement	038165
N	1	Nose cone / Cono de la nariz / Nez conique	071036
O	1	Parachute / Paracaídas / Parachute	035802
P	1	Orange E to D engine spacer / Separador de motores E a D naranja / Pièce d'espacement de moteur orange E à D	035005
Q	1	Shock cord mount / Soporte de la cuerda de tensión / Fixation du sandow	084445
		Decal (not shown) / Calcomanía (no ilustrada) / Décalcomanie (non représentée)	066822

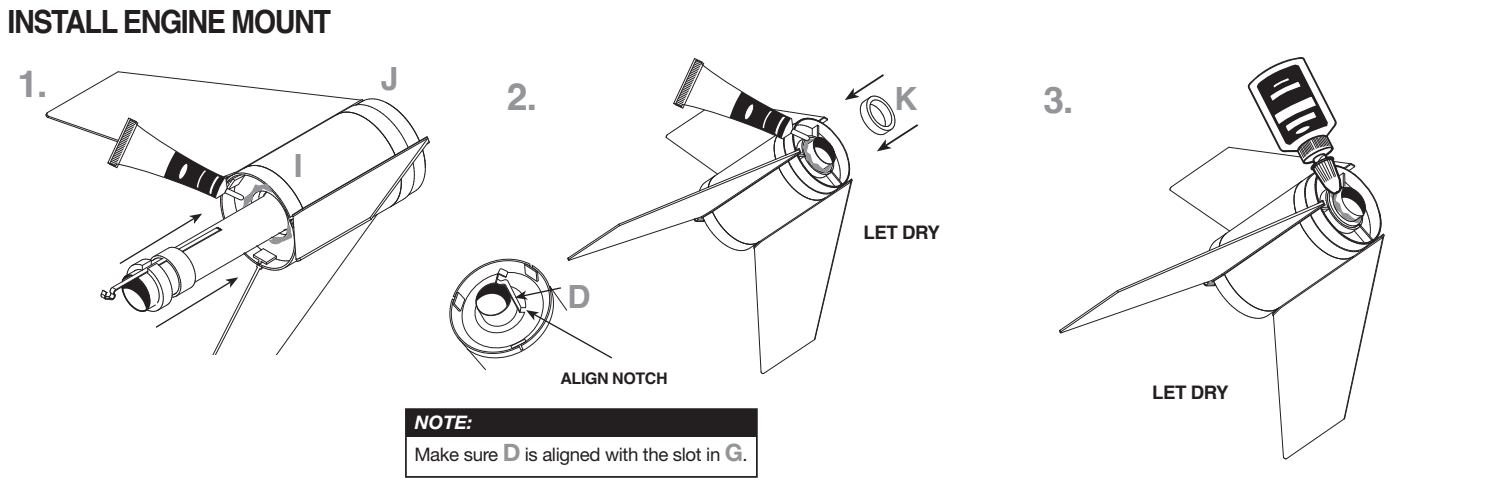
ASSEMBLE ENGINE MOUNT



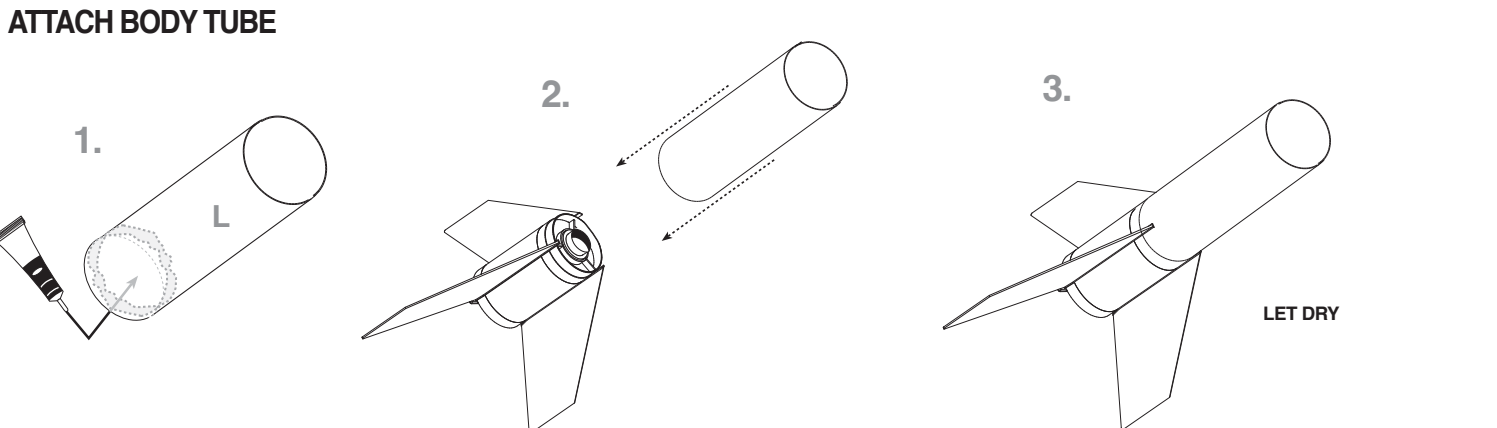
ATTACH FINS



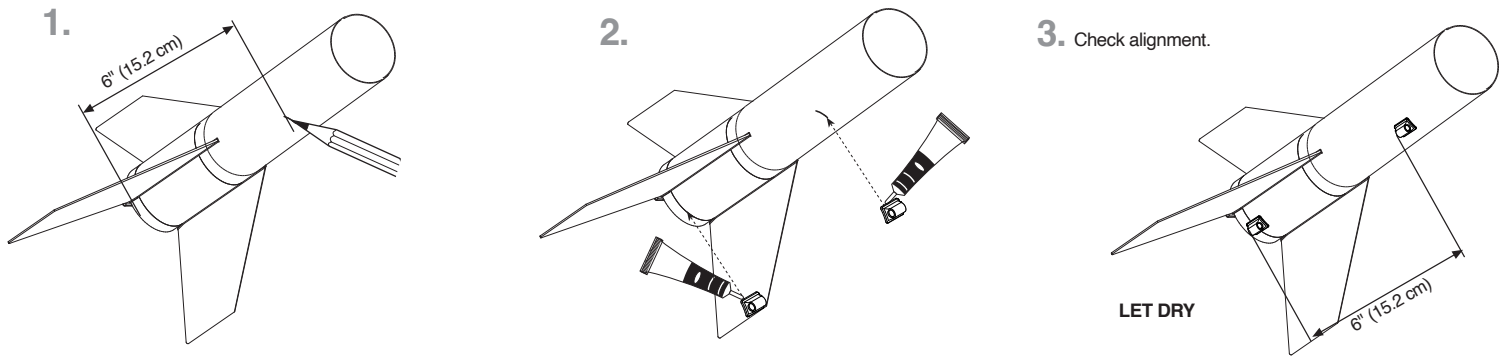
INSTALL ENGINE MOUNT



ATTACH BODY TUBE



ATTACH LAUNCH LUG



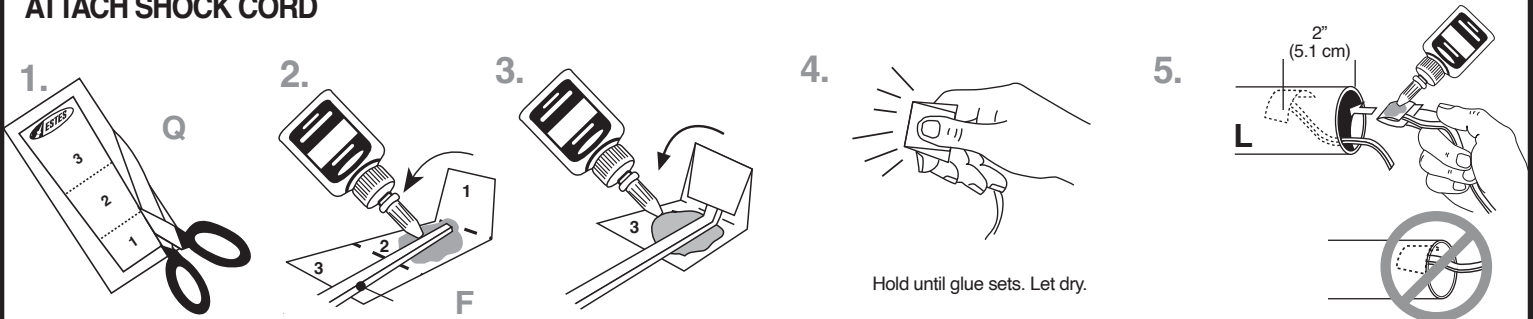
ROCKET FINISHING



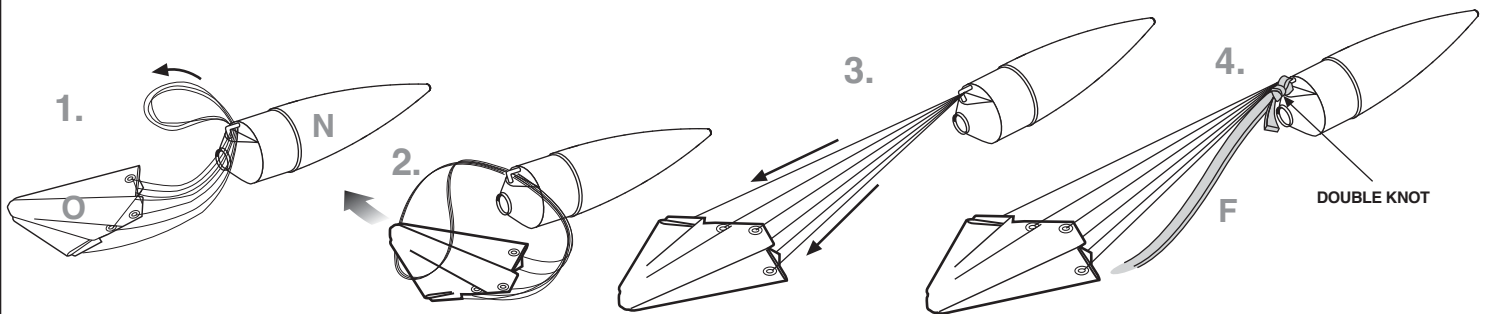
NOTE:

Refer to packaging for suggested decal placement.

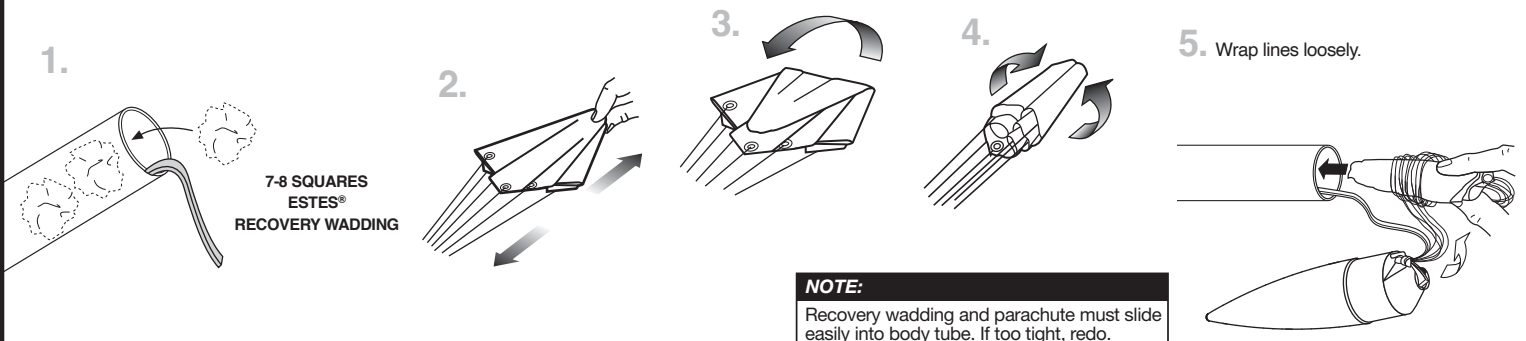
ATTACH SHOCK CORD



PREPARE RECOVERY SYSTEM

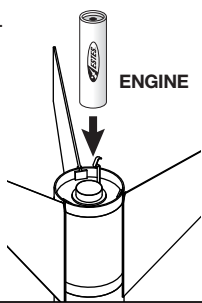


PREPARE FLIGHT RECOVERY

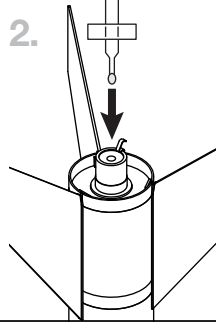


PREPARE ENGINE

1. Use one each.

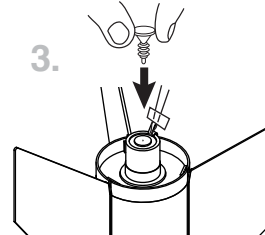


2.

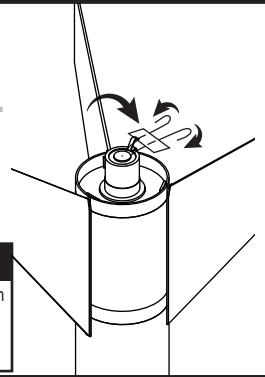


TIP MUST TOUCH PROPELLANT!

3.



4.



⚠ WARNING: FLAMMABLE

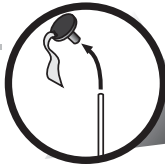
To avoid serious injury, read instructions & NAR Safety Code included with engines. **PREPARE YOUR ENGINE ONLY WHEN YOU ARE OUTSIDE AT THE LAUNCH SITE PREPARING TO LAUNCH.** If you do not use your prepared engine, remove the starter before storing your engine.

NOTE:

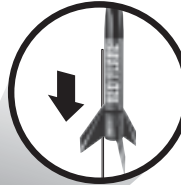
Always keep the key **OUT** until final countdown.



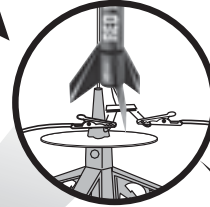
2.



3.

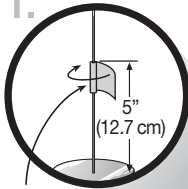


4.



5. Fully extend your launch controller wire before launching.

1.

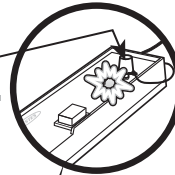


MASKING TAPE

30 ft. (9 m)

KEY

6.



Insert key, push down hard. Bulb will light.

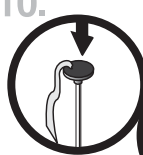
NOTE:

Estimated weight: 6.5 oz. (184 g)

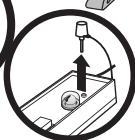
ESTES® LAUNCH SUPPLIES NEEDED (Sold Separately)

- Porta-Pad® II or Porta-Pad E Launch Pad
- 3/16" (5 mm) Maxi™ Launch Rod
- E Launch Controller or Pro Series II Launch Controller
- Recovery Wadding
- Starters (with engines)
- Plugs (with engines)
- Estes® Engines: D12-5 (first flight), E12-4, E12-6

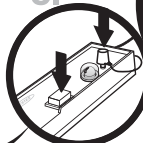
10.



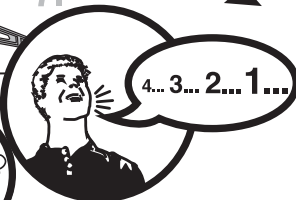
9.



8.



7.



While holding key down **FIRMLY**, press launch button until **LIFTOFF!**

PRECAUTIONS



NAR SAFETY CODE



NO DRY GRASS OR WEEDS

PRE-LAUNCH CHECK For safety, never launch a damaged rocket. Check the rocket's body, nose cone and fins. Also, check the engine mount, recovery system and launch lug(s). Repair any damage before launching the rocket.

FLYING YOUR ROCKET Choose a large field (1000 ft. [305 m] square) free of dry weeds and brown grass. The larger the launch area, the better your chance of recovering your rocket. Launch only with little or no wind and good visibility. Always follow the National Association of Rocketry (NAR) SAFETY CODE (enclosed).

MISFIRES TAKE THE KEY OUT OF THE CONTROLLER. WAIT ONE MINUTE BEFORE GOING NEAR THE ROCKET. Disconnect the micro-clips and remove the engine. Take the plug and starter out of the engine. A burned starter means the starter tip was not touching engine propellant. Install a new starter; be sure the tip is touching propellant inside the engine. Push the plug in place. Repeat steps under Countdown and Launch.

