



estesrockets.com

PRO SERIES II

9704

NIKE SMOKE



AGES
18+

Skill Level
INTERMEDIATE

MODEL ROCKET INSTRUCTIONS

KEEP FOR FUTURE REFERENCE

IMPORTANT: Please record date found on decal and keep for future reference. _____

READ ALL INSTRUCTIONS. Make sure you have all parts and supplies. Test fit all parts before applying glue. Refer to your glue manufacturer's dry times during build.

SUPPLIES



SCISSORS



PENCIL



RULER



FINE SANDPAPER



YELLOW GLUE



CA GLUE



EPOXY



HOBBY KNIFE



MASKING TAPE



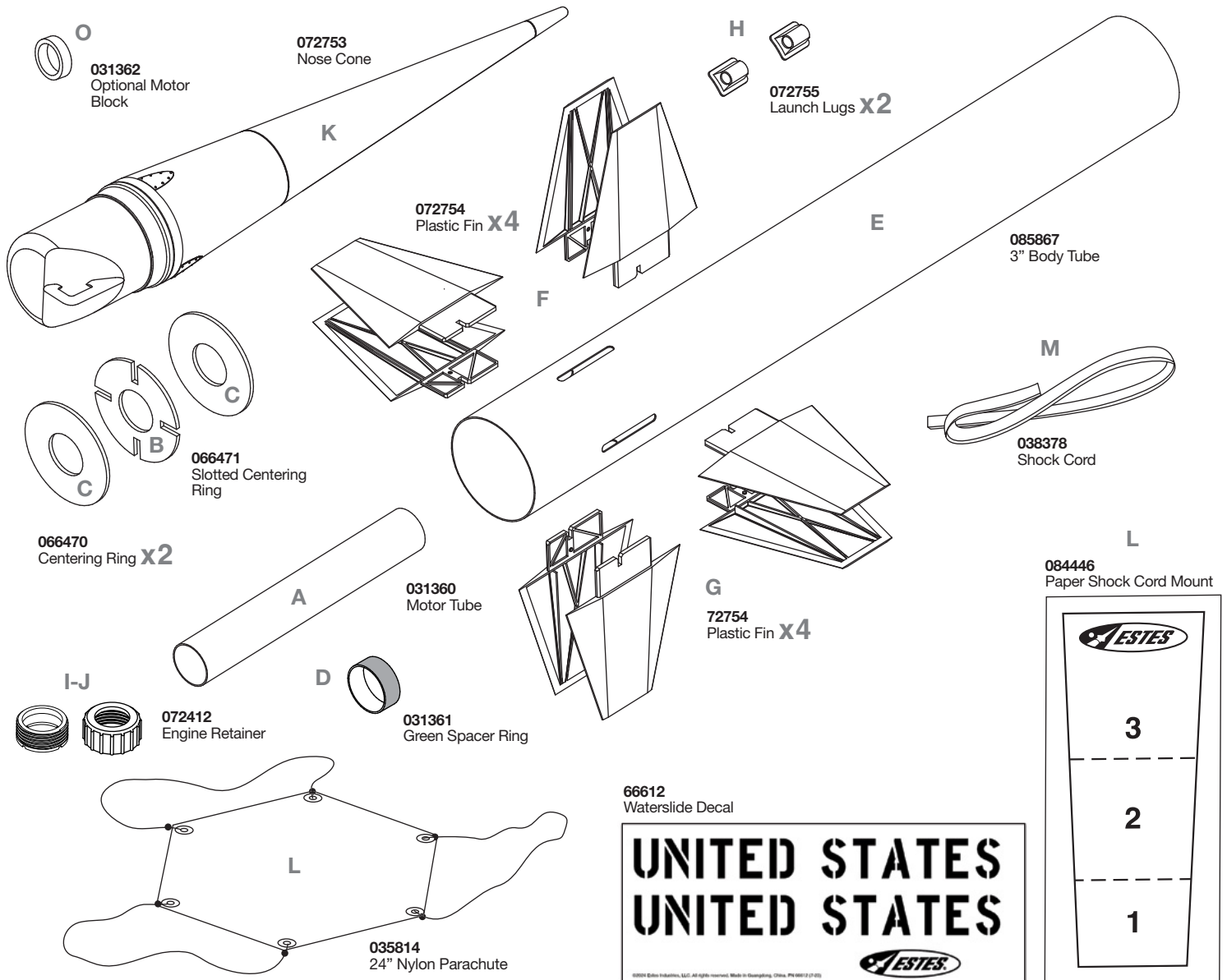
WHITE PRIMER



WHITE PAINT

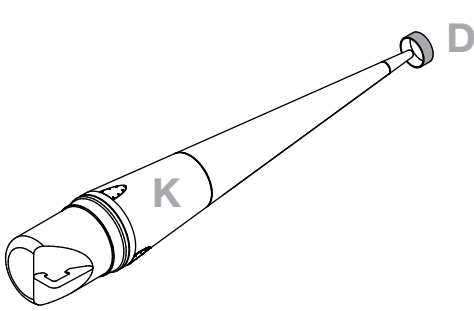


YELLOW & RED PAINTS

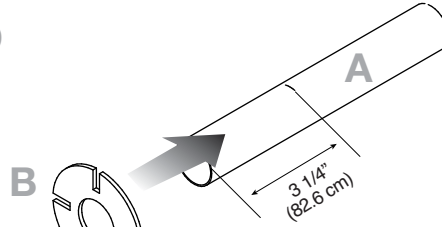


ASSEMBLE MOTOR MOUNT

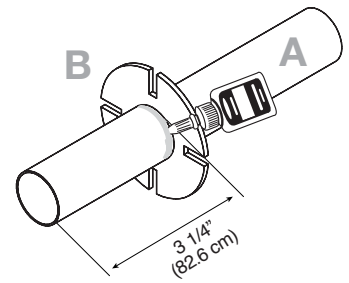
1. Push **D** over **K** to enlarge diameter.



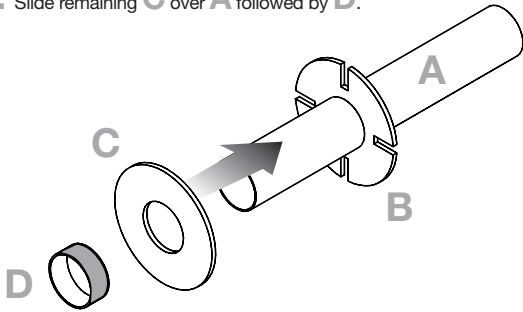
2. Slide **B** over **A**.



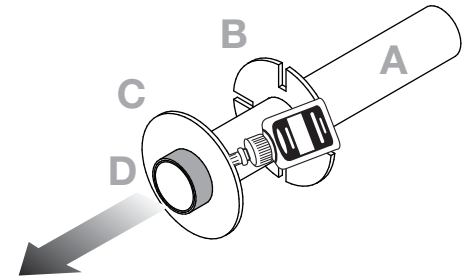
3. Tack glue **B** to **A**.



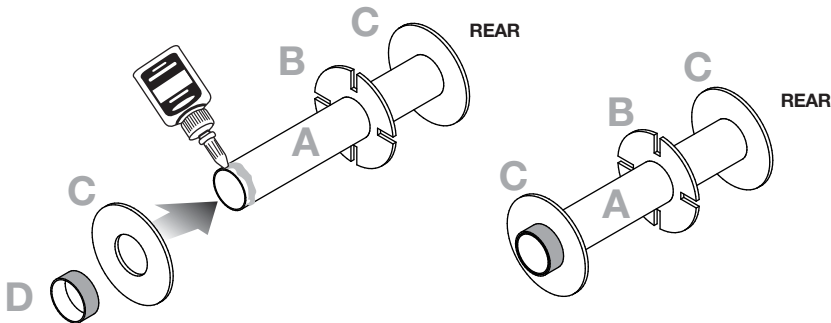
4. Slide remaining **C** over **A** followed by **D**.



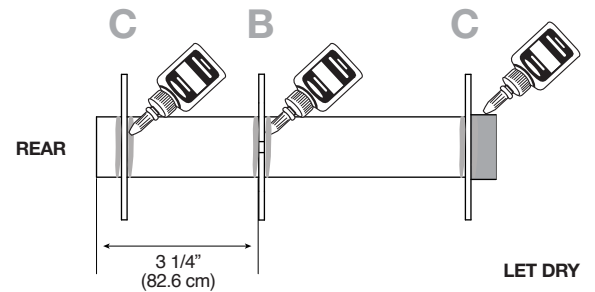
5. Tack glue **C** to **A**. REMOVE **D**.



6. Slide remaining **C** over **A** followed by **D**.

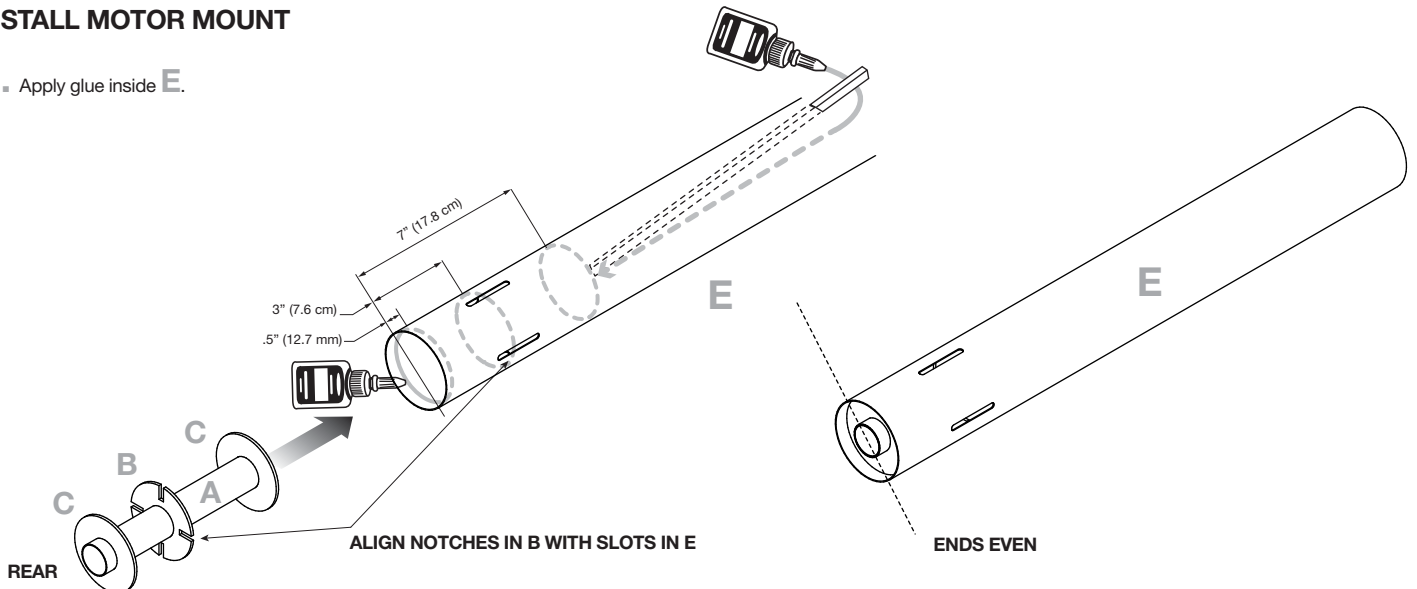


7. Apply glue to all joints.



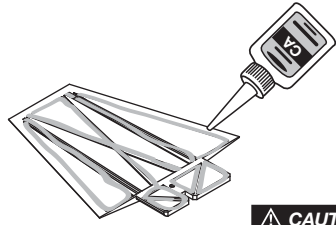
INSTALL MOTOR MOUNT

1. Apply glue inside **E**.



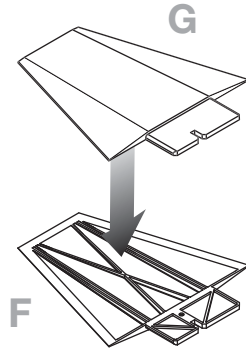
PREPARE FINS

1. Apply CA to all joints and surfaces below.

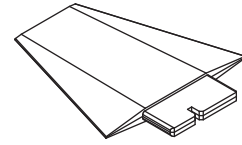


CAUTION:
For safe handling of CA glue, see manufacturer's warnings and follow instructions for use.

2.



3. Hold together until glue sets.

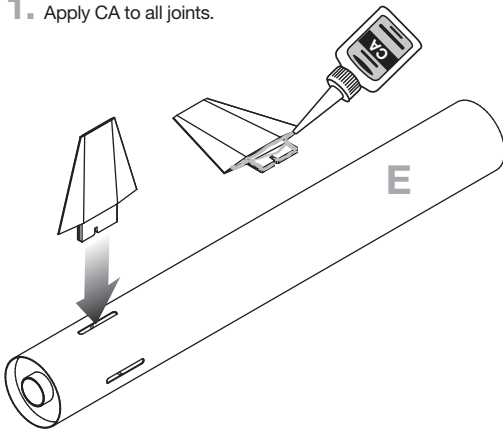


4. Repeat for remaining fins.

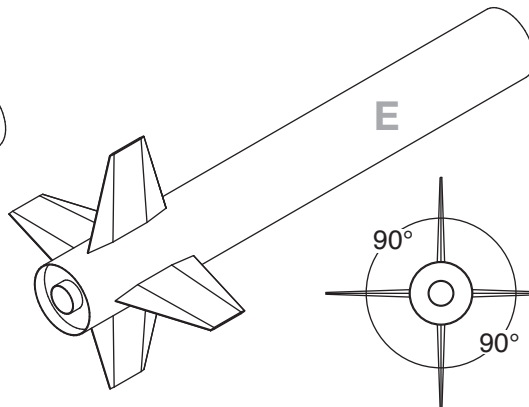
LET DRY

ATTACH FINS

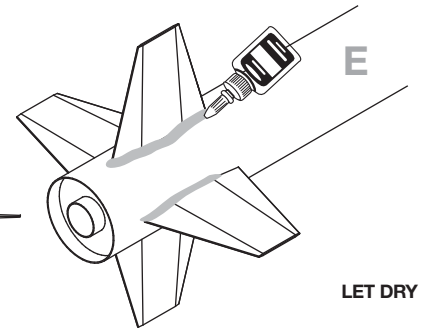
1. Apply CA to all joints.



2. Repeat for remaining fins.



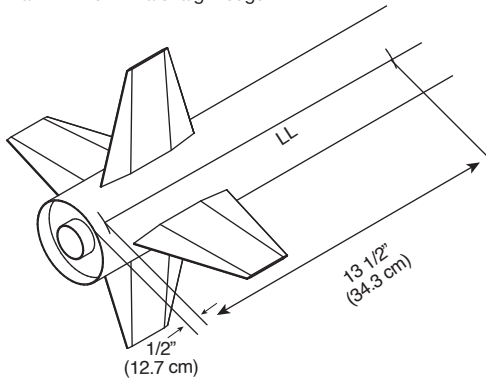
3. Apply glue fillets to both sides of all joints. Smooth with finger.



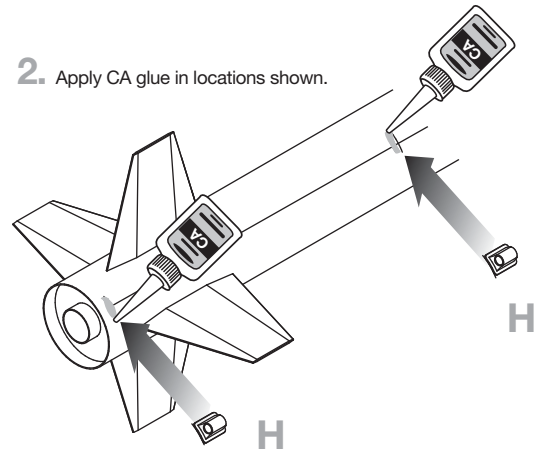
LET DRY

ATTACH LAUNCH LUGS

1. Mark LL line with a straight edge.



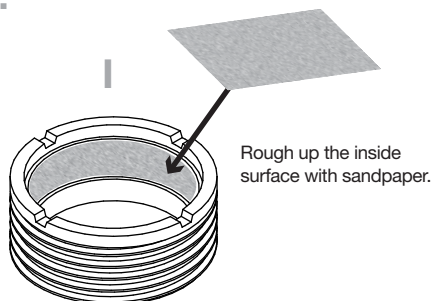
2. Apply CA glue in locations shown.



LET DRY

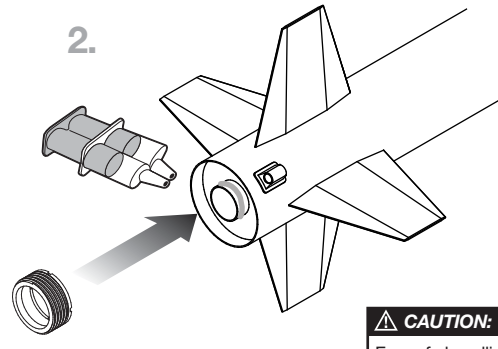
ATTACH ENGINE RETAINER

1.



Rough up the inside surface with sandpaper.

2.



LET DRY

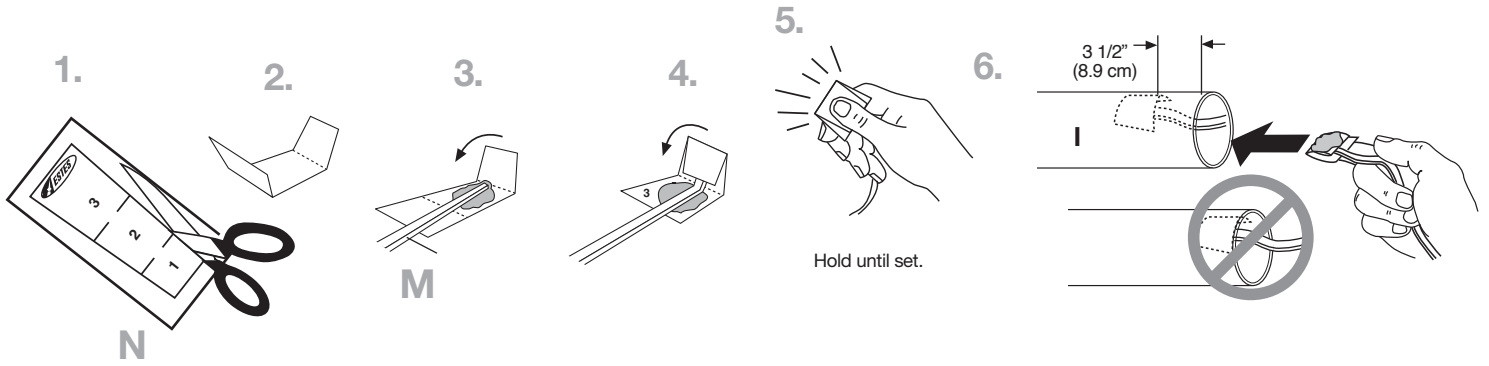
CAUTION:
For safe handling of epoxy, see manufacturer's warnings and follow instructions for use.

OPTIONAL:



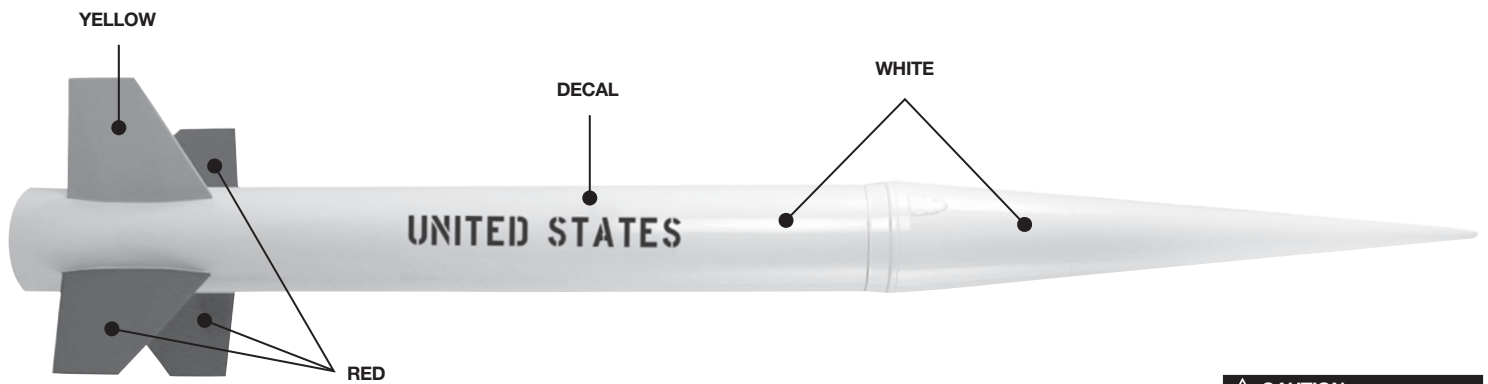
O can be glued in place if a motor block is desired.

INSTALL SHOCK CORD



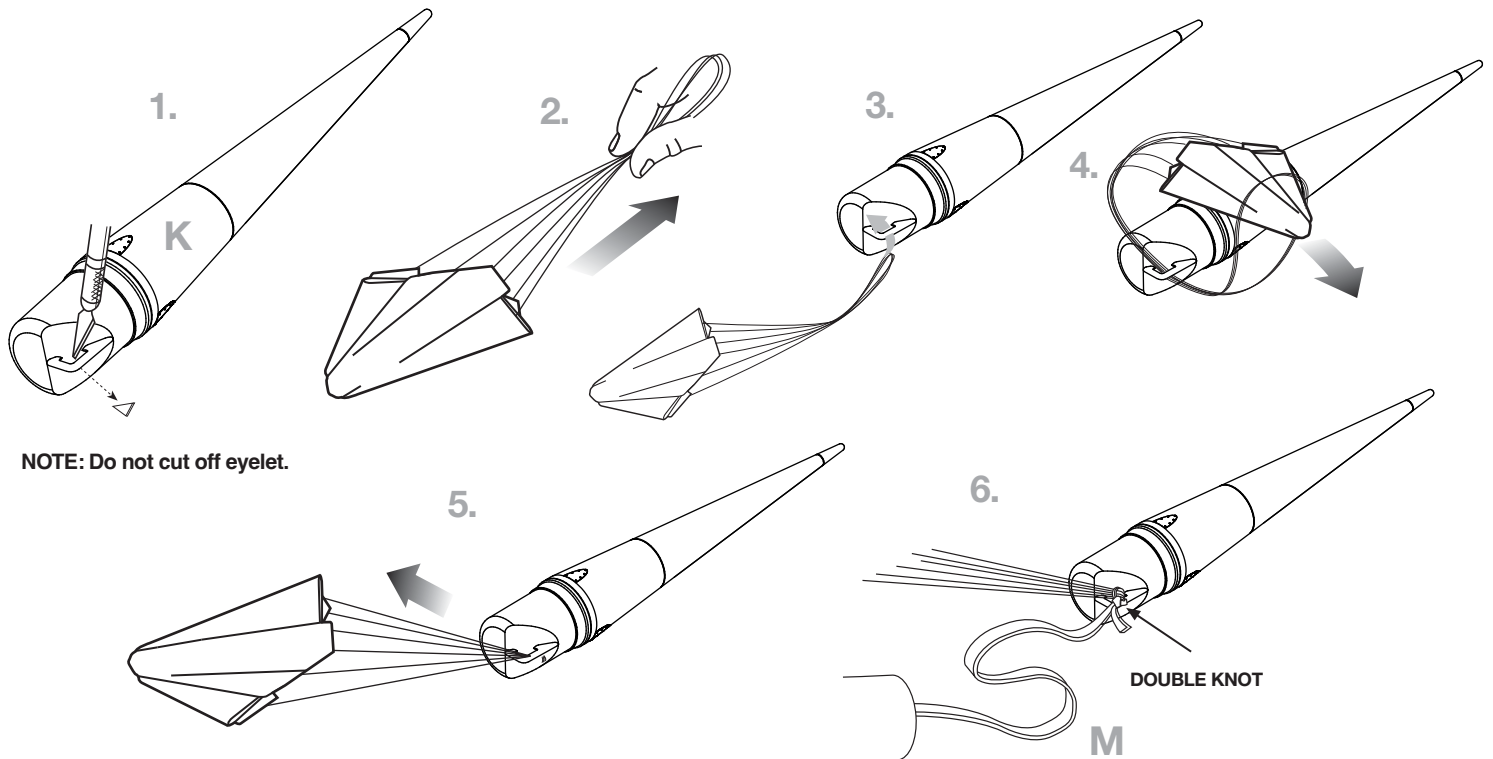
ROCKET FINISHING

Spray rocket with white primer, let dry & sand. Repeat until rocket is smooth, then paint. Apply decals after paint is dry. OTIONAL: Clear coat entire rocket when paint dries.



CAUTION:
See manufacturer's warnings and instructions before using spray finishing products.

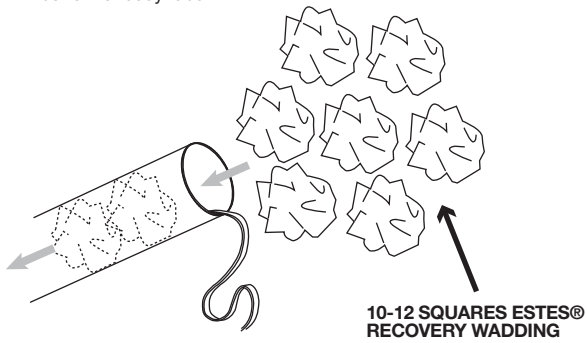
REPAIR RECOVERY SYSTEM



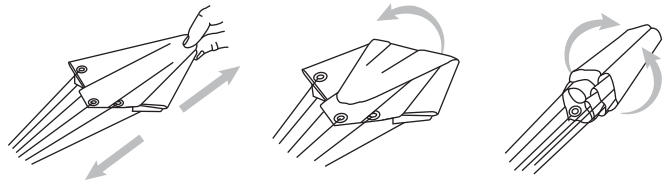
NOTE: Do not cut off eyelet.

PREPARE FLIGHT RECOVERY

1. Push recovery wadding to bottom of body tube.



2. Fold parachute as shown. Wrap parachute lines loosely and insert into body tube. Recovery wadding and parachute must slide easily into body tube; redo if too tight.

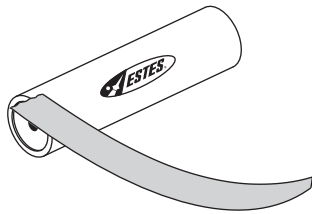


NOTE: Only Estes Recovery Wadding Recommended.

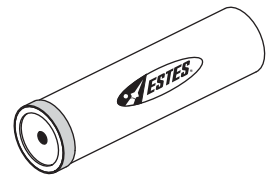
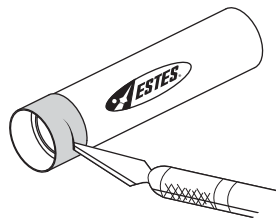


PREPARE ENGINE RETENTION

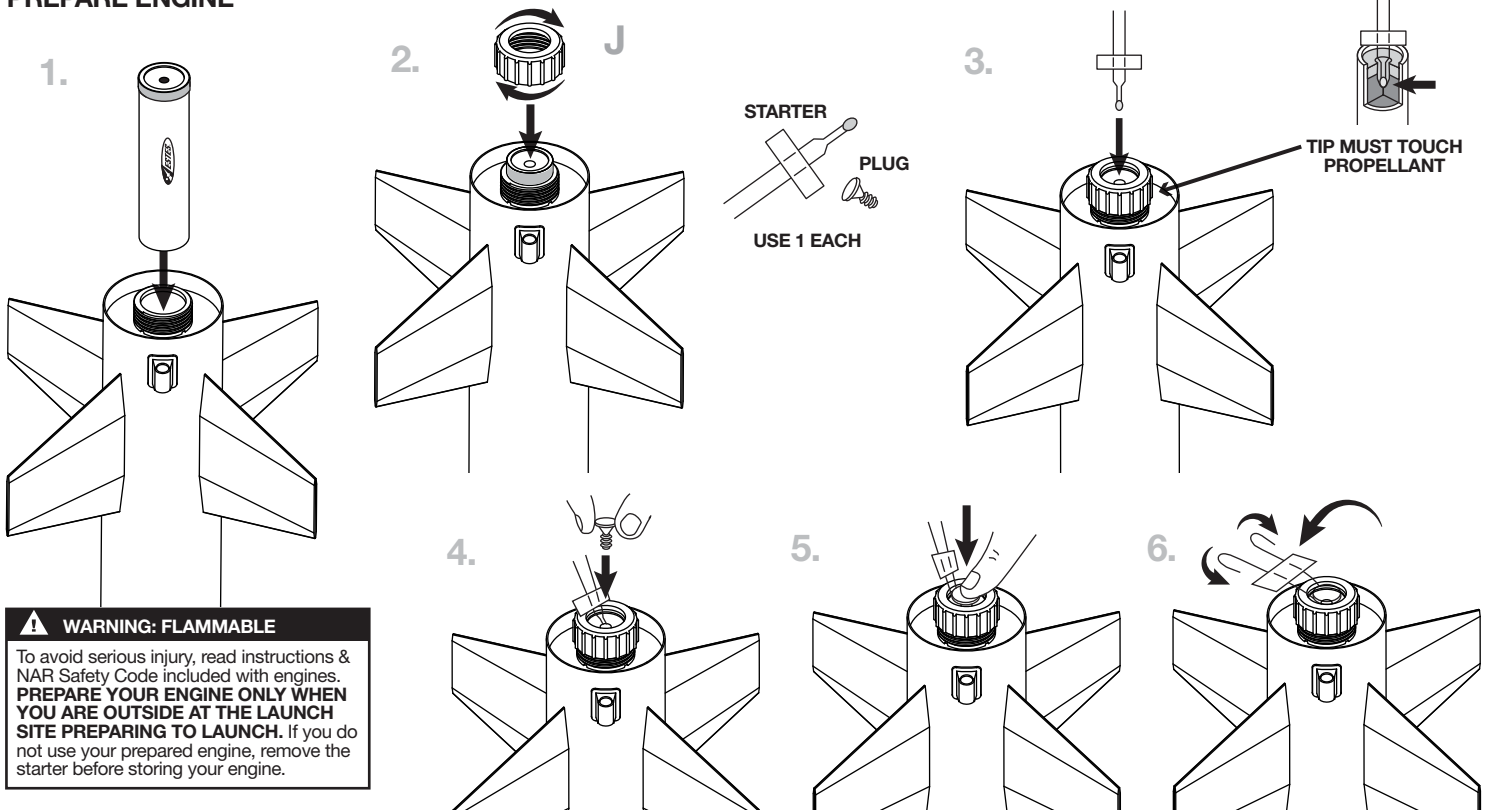
1. Wrap 6 to 8 layers of masking tape over nozzle end of motor. Overlap end of engine by 1/4 inch (6 mm).



2. Trim off excess tape.



PREPARE ENGINE

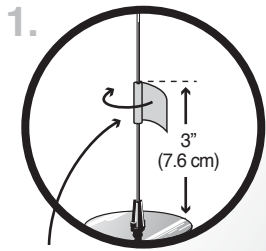
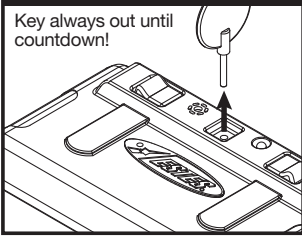


⚠ WARNING: FLAMMABLE
 To avoid serious injury, read instructions & NAR Safety Code included with engines. **PREPARE YOUR ENGINE ONLY WHEN YOU ARE OUTSIDE AT THE LAUNCH SITE PREPARING TO LAUNCH.** If you do not use your prepared engine, remove the starter before storing your engine.

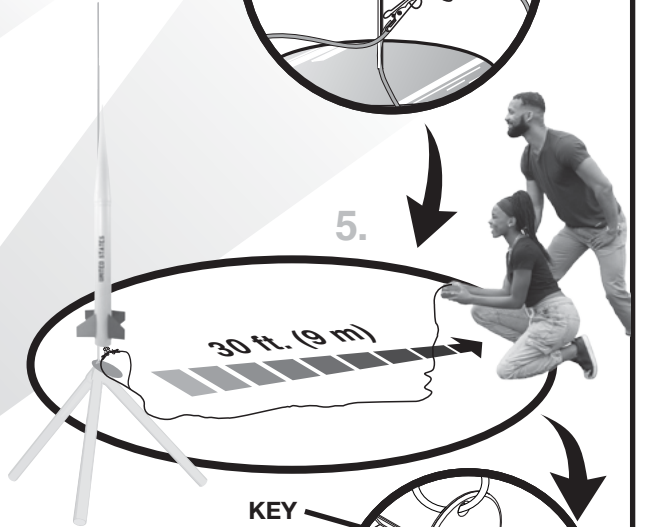
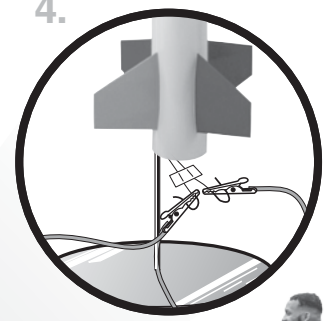
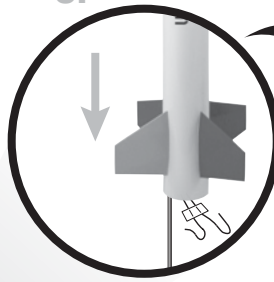
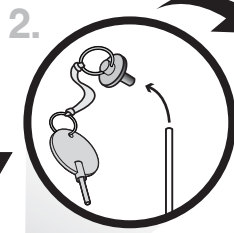
COUNTDOWN AND LAUNCH

NOTE:

Key always out until countdown!



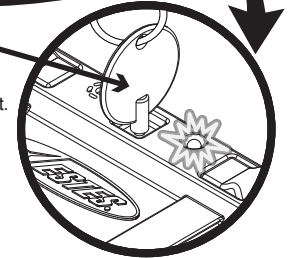
MASKING TAPE



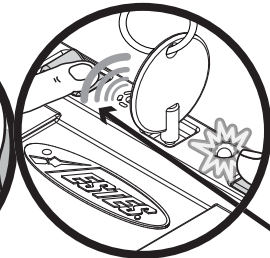
5.

KEY

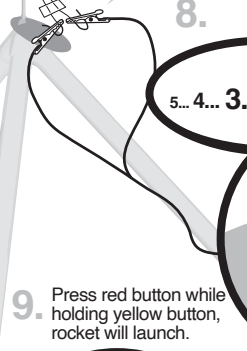
6. Insert key, bulb will light.



7. Press yellow button, alarm will sound.



YELLOW BUTTON



9. Press red button while holding yellow button, rocket will launch.

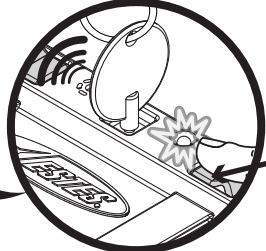
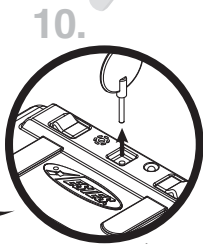
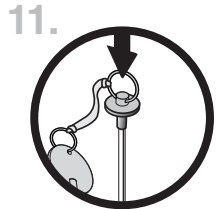
RED BUTTON

NOTE:

Estimated weight: 17.5 oz. (496 g)

ESTES® LAUNCH SUPPLIES NEEDED
(Sold Separately)

- Pro Series II™ Launch Base OR Porta-Pad® E Launch Pad
- Pro Series II™ Launch Controller
- Recovery Wadding
- Starters (with engines)
- Plugs (with engines)
- Estes® Engines: E16-4, F15-4



PRECAUTIONS



NAR SAFETY CODE



NO DRY GRASS OR WEEDS

PRE-LAUNCH CHECK For safety, never launch a damaged rocket. Check the rocket's body, nose cone and fins. Also, check the engine mount, recovery system and launch lug(s). Repair any damage before launching the rocket.

FLYING YOUR ROCKET Choose a large field (1000 ft. [305 m] square) free of dry weeds and brown grass. The larger the launch area, the better your chance of recovering your rocket. Launch only with little or no wind and good visibility. Always follow the National Association of Rocketry (NAR) SAFETY CODE (enclosed).

MISFIRES TAKE THE KEY OUT OF THE CONTROLLER. WAIT ONE MINUTE BEFORE GOING NEAR THE ROCKET. Disconnect the micro-clips and remove the engine. Take the plug and starter out of the engine. A burned starter means the starter tip was not touching engine propellant. Install a new starter; be sure the tip is touching propellant inside the engine. Push the plug in place. Repeat steps under Countdown and Launch.

