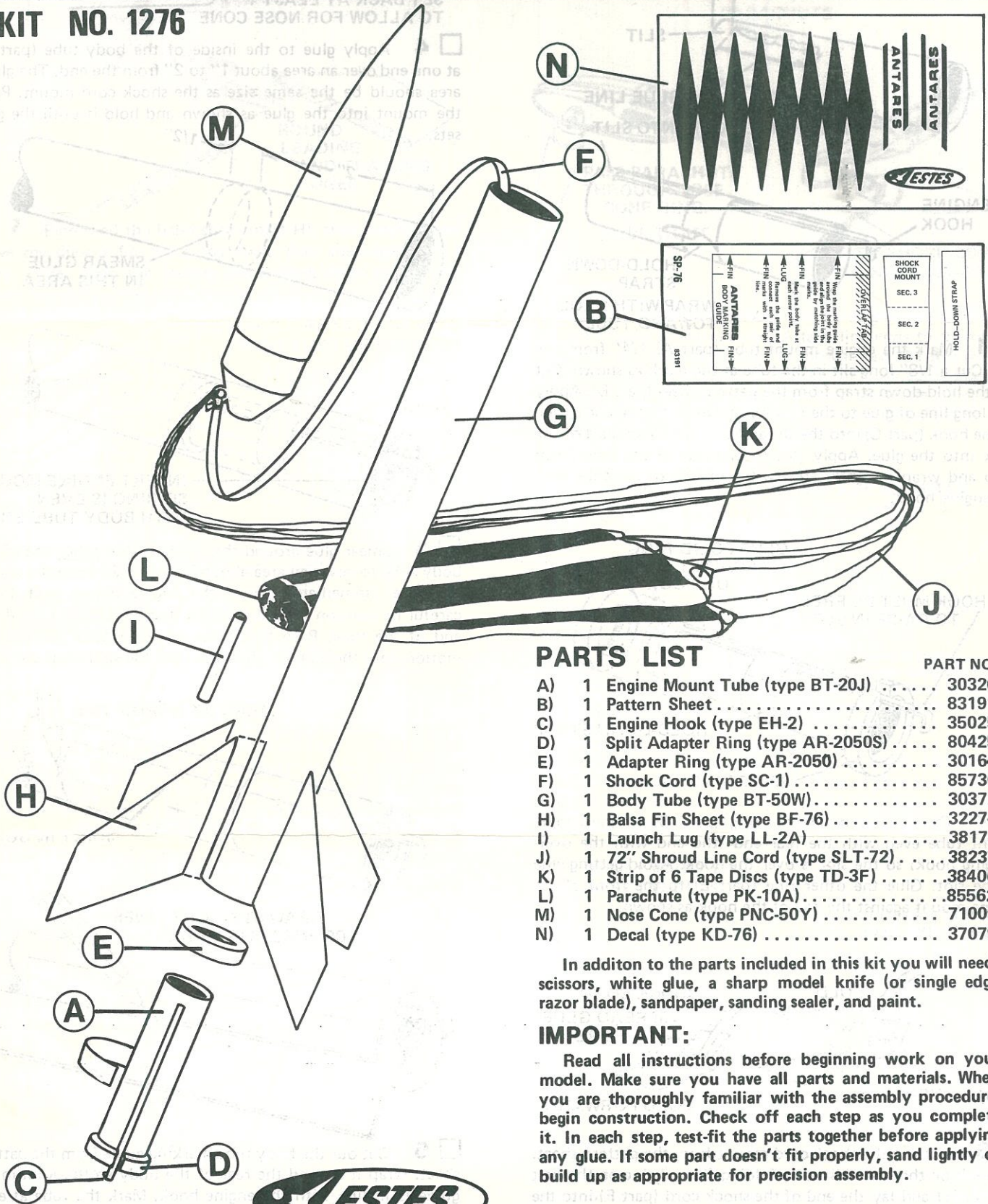


ANTARES

KIT NO. 1276



PARTS LIST

		PART NO.
A)	1 Engine Mount Tube (type BT-20J)	30326
B)	1 Pattern Sheet	83191
C)	1 Engine Hook (type EH-2)	35025
D)	1 Split Adapter Ring (type AR-2050S)	80425
E)	1 Adapter Ring (type AR-2050)	30164
F)	1 Shock Cord (type SC-1)	85730
G)	1 Body Tube (type BT-50W)	30372
H)	1 Balsa Fin Sheet (type BF-76)	32274
I)	1 Launch Lug (type LL-2A)	38175
J)	1 72" Shroud Line Cord (type SLT-72)	38237
K)	1 Strip of 6 Tape Discs (type TD-3F)	38406
L)	1 Parachute (type PK-10A)	85562
M)	1 Nose Cone (type PNC-50Y)	71009
N)	1 Decal (type KD-76)	37079

In addition to the parts included in this kit you will need scissors, white glue, a sharp model knife (or single edge razor blade), sandpaper, sanding sealer, and paint.

IMPORTANT:

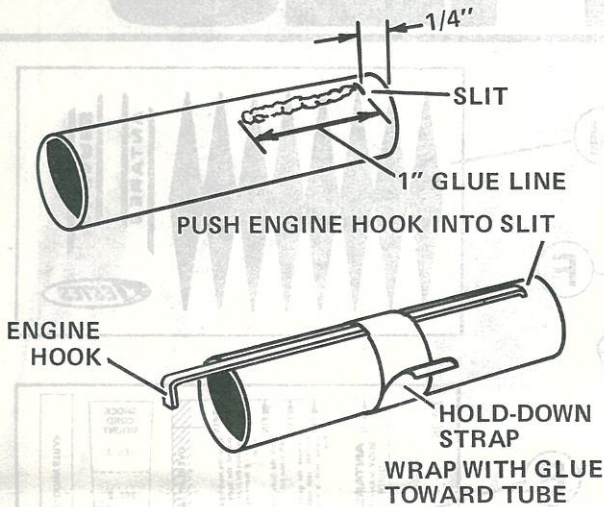
Read all instructions before beginning work on your model. Make sure you have all parts and materials. When you are thoroughly familiar with the assembly procedure, begin construction. Check off each step as you complete it. In each step, test-fit the parts together before applying any glue. If some part doesn't fit properly, sand lightly or build up as appropriate for precision assembly.



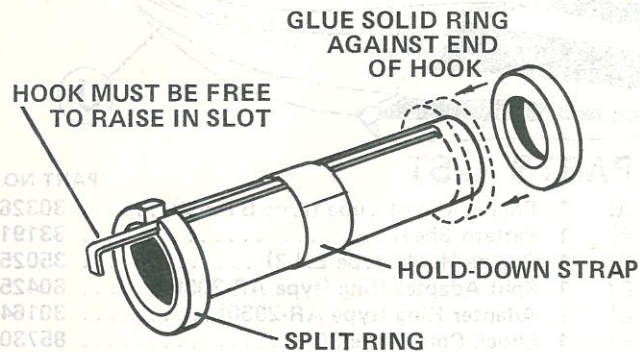
A SUBSIDIARY OF DAMON

ESTES INDUSTRIES
PENROSE, COLO. 81240

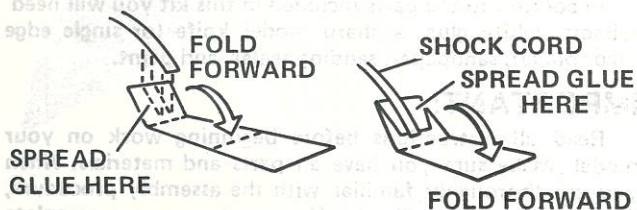
ASSEMBLY INSTRUCTIONS



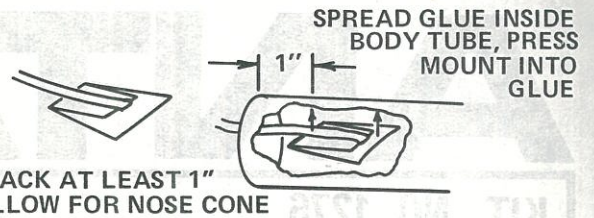
- 1 Mark the engine mount tube (part A) 1/4" from one end. Cut a 1/8" long slit in the tube at the mark as shown. Cut out the hold-down strap from the pattern sheet (part B). Apply a 1" long line of glue to the tube as shown. Push one end of the engine hook (part C) into the slit and press the main part of the hook into the glue. Apply glue to one side of the hold-down strap and wrap it tightly around the middle of the tube over the engine hook.



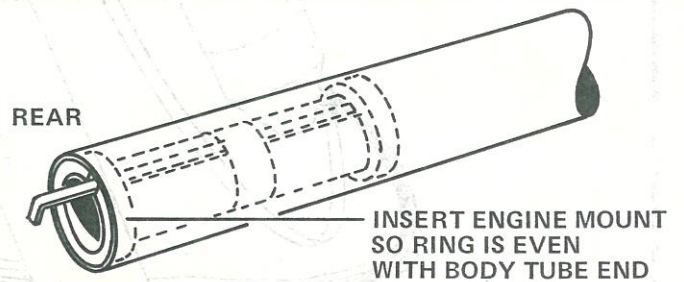
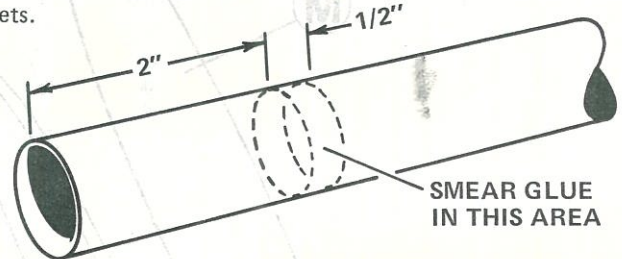
- 2 Glue the split adapter ring (part D) to the engine mount tube even with the rear end (the end with the overhanging hook) so the slot is over the hook. Avoid getting glue in the slot. Glue the other ring (part E) to the front of the engine mount against the end of the hook as shown.



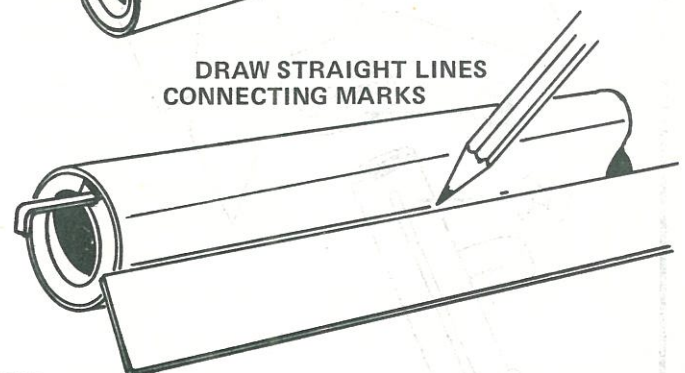
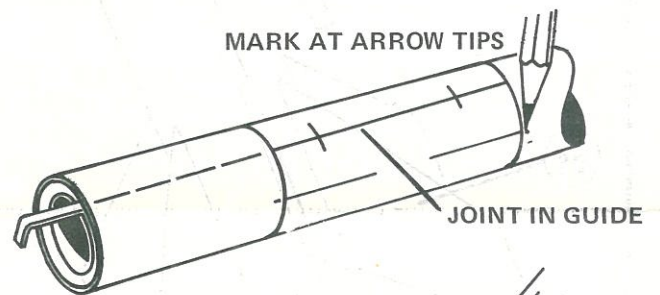
- 3 Cut out the shock cord mount from the pattern sheet. Crease it on the dotted lines by folding. Spread glue on the first section (1) and lay the end of the shock cord (part F) into the glue. Fold over and apply glue to the back of the first section and the exposed part of section 2. Clamp the unit together with your fingers until the glue sets.



- 4 Apply glue to the inside of the body tube (part G) at one end over an area about 1" to 2" from the end. The glued area should be the same size as the shock cord mount. Press the mount into the glue as shown and hold it until the glue sets.



- 5 Smear glue around the inside of the other end of the body tube to cover an area about 2" to 2-1/2" from the end of the tube. Immediately insert the engine mount unit, being careful to position it so the engine hook will stick out of the end of the tube. Push the engine mount in with one smooth motion until the ends of the tubes (and the split ring) are even.



- 6 Cut out the body tube marking guide from the pattern sheet. Wrap it around the rear of the body so the joint in the guide is in line with the engine hook. Mark the tube at each arrow point, front and rear. Draw a straight line connecting each matching front and rear mark (use a ruler when drawing lines). Extend the launch lug line forward 5".