

FLYING YOUR GLIDER

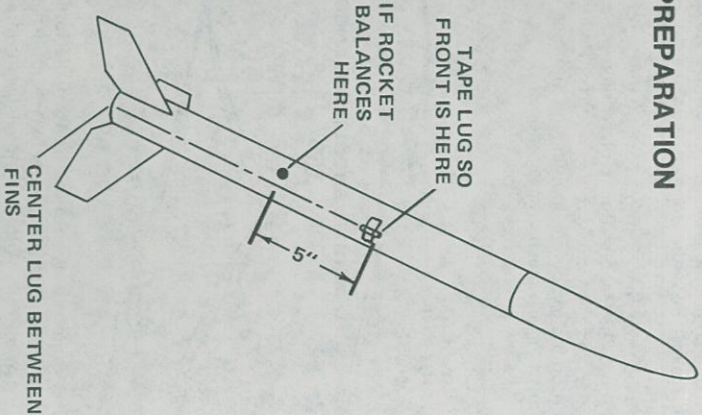
LAUNCH VEHICLE SELECTION

It is important that you use a launch vehicle that is suitable for this glider. Suggested models are:

Big Bertha
Remegade
Andromeda
Orbital Transport
Vigilante
Patriot
Bandit
Cinero/Omega
Sandhawk
Cherokee-D
A-20 Demon
Shrike
Maxi Honest John

Other large models may also be used. We recommend that you try any new launch vehicle with the smallest engine recommended for that rocket. Use larger engines only when the combination has been proven with flights using smaller engines.

PREPARATION



Locate the flight-ready balance point of your launch vehicle (with engine, parachute, wadding, etc.). Tape the launch lug provided with this kit to the model, centered between two fins, so the front of the lug is 5" ahead of the balance

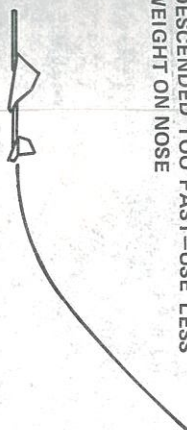
point. The glider hooks onto this lug for launch. (Note: On the Big Bertha the front of the lug should be 4" from the front of the body.)

Make sure the glider hangs free when on the launch vehicle. If it binds, aerodynamic forces on the glider in flight can force the launch vehicle off course. In addition, the glider must be free to come loose immediately at ejection. If the model's fins interfere with the glider, move the lug forward slightly.

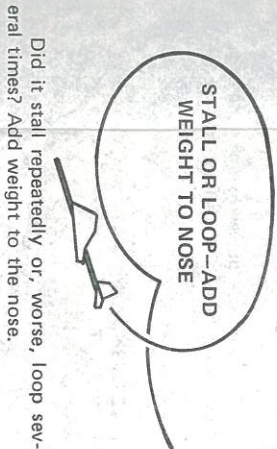
FLIGHT

Pick a calm day to launch your glider. Use the type of engine recommended for the launch vehicle's first flight. Be sure to follow the countdown checklist featured at the end of your rocket's instructions and have at least one extra person along to help keep the glider in sight. Observe the flight carefully.

DESCENDED TOO FAST—USE LESS WEIGHT ON NOSE

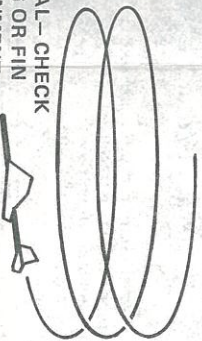


STALL OR LOOP—ADD WEIGHT TO NOSE



SPIRAL—CHECK WING OR FIN ALIGNMENT

Did it spiral in? Check wing and fin alignment first. If these are perfect, trim 1/8" from the top of the tail fin and launch again. Trim up to 3/8" off in this manner.

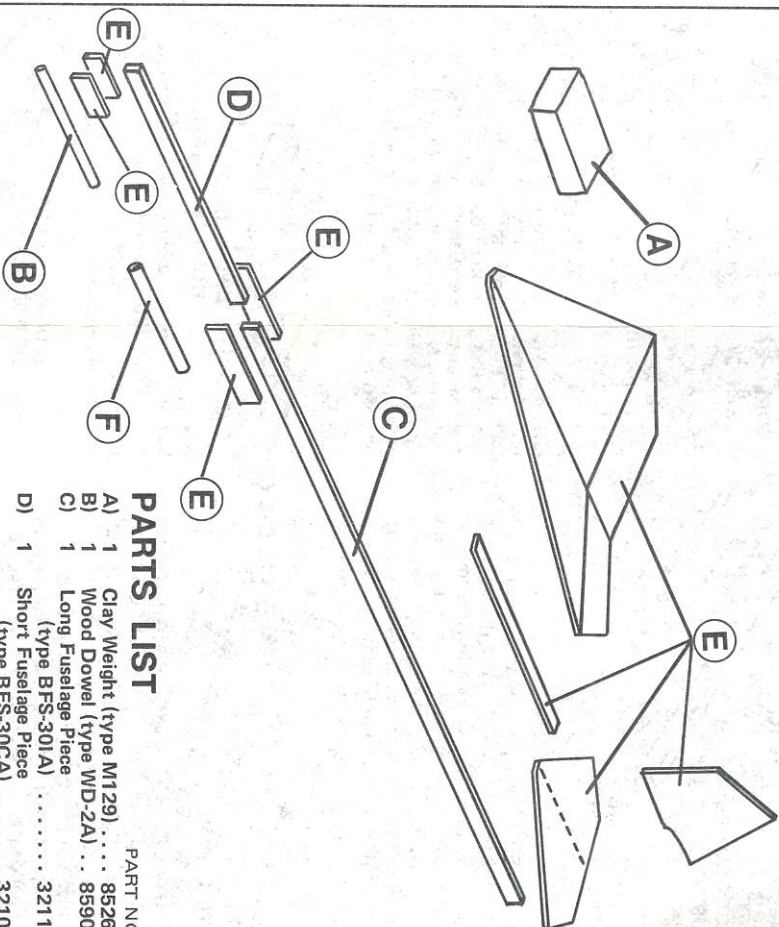


BE SURE TO FOLLOW THE HIAA—NAR MODEL ROCKETRY SAFETY CODE WHEN CARRYING OUT ALL YOUR MODEL ROCKETRY ACTIVITIES.

KIT NO. 1280

FIREFLY

PARASITE GLIDER



PARTS LIST

	PART NO.
A) 1 Clay Weight (type M129)	85263
B) 1 Wood Dowel (type WD-2A)	85909
C) 1 Long Fuselage Piece (type BFS-301A)	32113
D) 1 Short Fuselage Piece (type BFS-30CA)	32109
E) 1 Die-Cut Balsa Sheet (type BF-TK5)	32248
F) 1 Launch Lug (type LL-2A)	38175

In addition to the parts included in this kit you will need white glue, a sharp model knife (or single edge razor blade), sandpaper, sanding sealer, and paint for assembly.

IMPORTANT:

Read all instructions before beginning work on your model. Make sure you have all parts and materials. When you are thoroughly familiar with the assembly procedure, begin construction. Check off each step as you complete it. Precision assembly is essential for good glide performance. Make sure all parts are aligned as accurately as possible in each step as you build your model.



ESTES INDUSTRIES
BROOKFIELD, COLORADO, U.S.A.