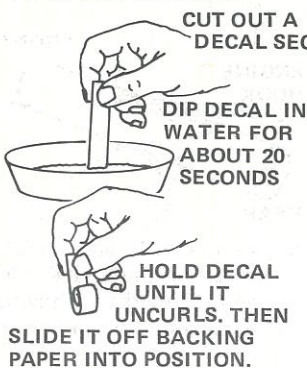


DECOR ILLUSTRATION

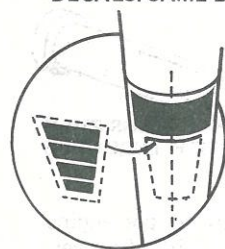
TO APPLY DECALS:



PAINT SCHEME

GLOSS WHITE – MAIN BODY
 GLOSS RED – NOSE CONE
 GLOSS BLACK – FIN SECTION

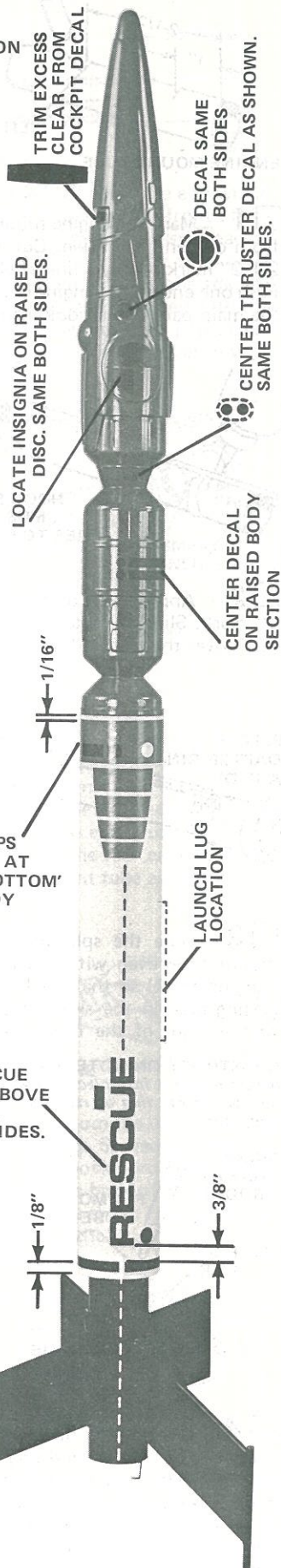
USE BAND 'LOCATER LINE' TO POSITION PANEL DECALS. SAME BOTH SIDES.



CENTER RESCUE DECAL 3/8" ABOVE BLACK BAND. SAME BOTH SIDES.

NOTE: POSITION GAPS IN BLACK BODY BAND IN-LINE WITH CENTER-LINE AS SHOWN. SAME BOTH SIDES

TOP FIN



A SUBSIDIARY OF DAMON

Odyssey

SPACESHIP

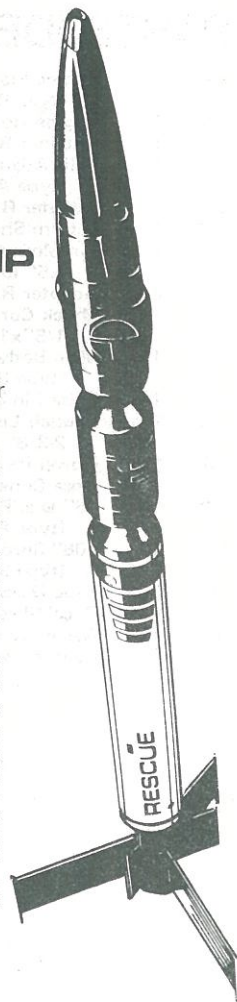
flying model rocket kit

KIT NO. 1289

SKILL LEVEL 2 - This kit is suggested for Intermediate Rocketeers.

The Odyssey spaceship, as its name suggests, is a stellar wanderer of the far future. It is envisioned to perform a variety of space rescue, exploratory, or intruder intercept missions. The impulse power unit jettisons after trajectory insertion. Its two-man crew and engineering section then accelerates to near-light velocities. Mission complete, Odyssey returns for orbital refurbishment or touchdown on a low gravity planet.

Your Odyssey spaceship is constructed of lightweight modeling materials such as balsa wood, paper tubing and some plastic. This model rocket has a parachute recovery system so that it can be launched and safely recovered many times. A safe, single-use, solid propellant engine is used to launch the rocket. Ignited electrically, the engine automatically provides thrust for quick lift-off and acceleration, allows for a timed delay period to reach peak altitude while delivering a smoke trail for easy tracking, and finally supplies ejection power to activate the recovery system.



TOOLS AND MATERIALS

In addition to the parts included in this kit you will need white glue, pen or pencil, scissors, a sharp model knife (or single edge razor blade), a ruler, masking tape, sandpaper, sanding sealer, and paint as noted in the Decor Illustration.

LAUNCHING COMPONENTS

You will need the following launching supplies to fly your ODYSSEY model rocket:

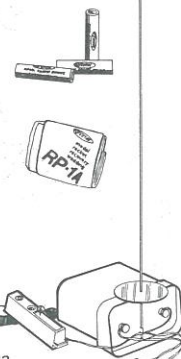
-An Estes remote-control electrical launch system and the recommended battery.

-Parachute recovery wadding (Estes Cat. No. 2274).

-Estes B4-4, B6-4, or C6-5 model rocket engines and igniters. (Igniters are included with all Estes engines.) Use a B6-4 engine for the first flight.

Be sure to follow the *HIAA-NAR Model Rocketry Safety Code when carrying out your Miniature Astronautics activities.

*HIAA-NAR - Hobby Industry Association of America
 - National Association of Rocketry



BEFORE YOU START

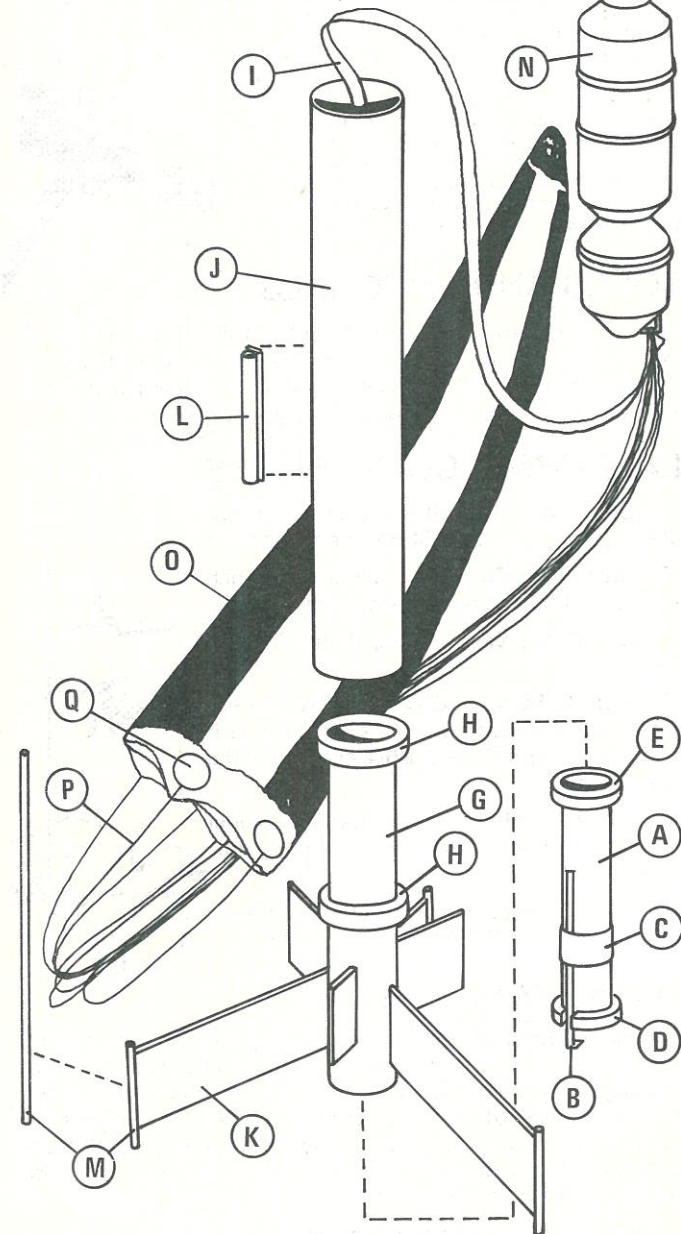
Read all instructions before beginning work on your model. Make sure you have all parts and materials. When you are thoroughly familiar with the assembly procedure, begin construction. Check off each step as you complete it. In each step, test-fit the parts together before applying any glue. If some part doesn't fit properly, sand lightly or build up as appropriate for precision assembly.

ESTES INDUSTRIES, PENROSE, COLORADO 81240

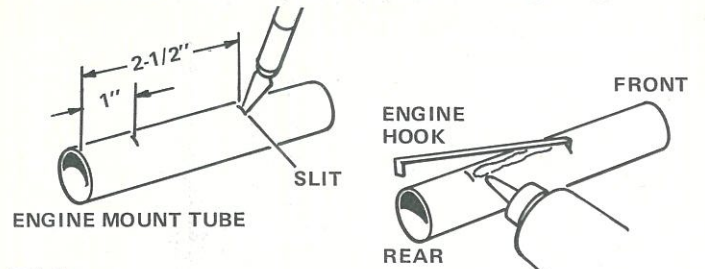
PARTS IDENTIFICATION

A)	1	Engine Mount Tube (type BT-20DJ) 4.0" long ...	30332
B)	1	Engine Hook (type EH-2)	35025
C)	1	Retainer Ring (type HR-20)	30168
D)	1	Split Adapter Ring (type AR-2050S)	80425
E)	1	Adapter Ring (type AR-2050) ...	30164
F)*	1	Pattern Sheet (type SP-89)	83235
G)	1	Fin Mount Tube (type BT-50EE) 5.5" long	30358
H)	2	Adapter Rings (type AR-5055) ..	30166
I)	1	Shock Cord (type SC-1) 1/8"x18"	85730
J)	1	Main Body Tube (type BT-551J) 9.0" long ...	30384
K)	1	Balsa Fin Sheet (type BF-89) ...	32297
L)	1	Launch Lug (type LL-2B) 2-3/8" long	38178
M)	1	Dowel (type WD-1C) 1/8"x6" ...	85906
N)	1	Nose Cone (type PNC-55CB) ...	71036
O)	1	18" Dia. Parachute (type PK-18A)	85566
P)	1	108" Shroud Line (type SLT-108)	38239
Q)	6	Tape Discs (type TD-3F)	38406
R)*	1	Decal Sheet (type KD-89)	37095
S)*	1	Assembly Instructions	83234
T)*	1	Countdown Checklist	83240

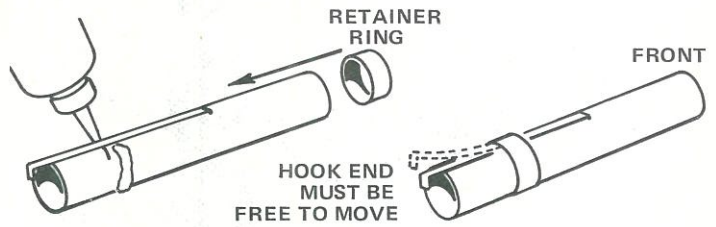
*Included in kit, but not illustrated



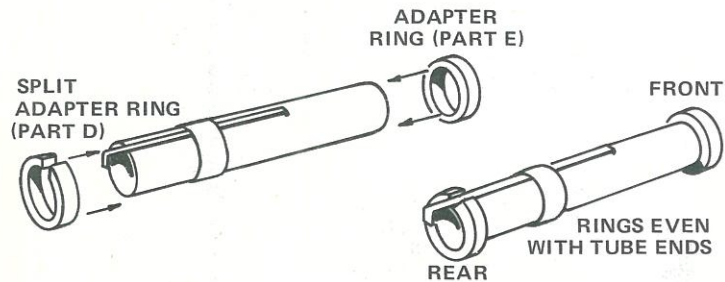
ASSEMBLY INSTRUCTIONS



1 Mark the engine mount tube (part A) at 1" and 2-1/2" from one end as shown. Cut a 1/8" long slit in the tube at the 2-1/2" mark. Apply a line of glue between the marks as shown. Push one end of the engine hook (part B) into the slit and press the main part of the hook into the glue.

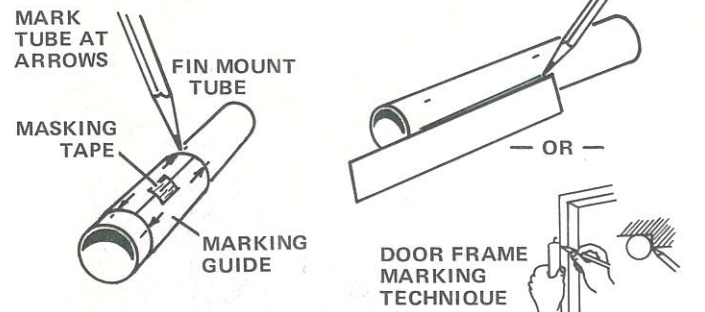


2 Apply a line of glue around the tube just ahead of the 1" mark. Slide the retainer ring (part C) onto the tube, centering it over the glue and next to the 1" mark.



3 Glue the split adapter ring (part D) to the engine mount tube even with the rear end (the end with the overhanging hook) so that the hook passes through the slot. Avoid getting glue in the slot. Glue the other adapter ring (part E) to the front of the tube, even with the tube end as shown.

CONSTRUCTION NOTE: Check the fit of each adapter ring in the kit before gluing it into place as instructed. If necessary, sand the inside or outside of the ring as required until it makes a smooth fit with the body tube.



4 Cut out the fin marking guide from the pattern sheet (part F). Wrap it around one end of the fin mount body tube (part G). Use a short strip of masking tape to hold the guide ends together as shown. Mark the tube at each arrow point, front and rear. Draw a straight line connecting each matching front and rear mark. Use a ruler or the edge of a door frame when drawing lines.