

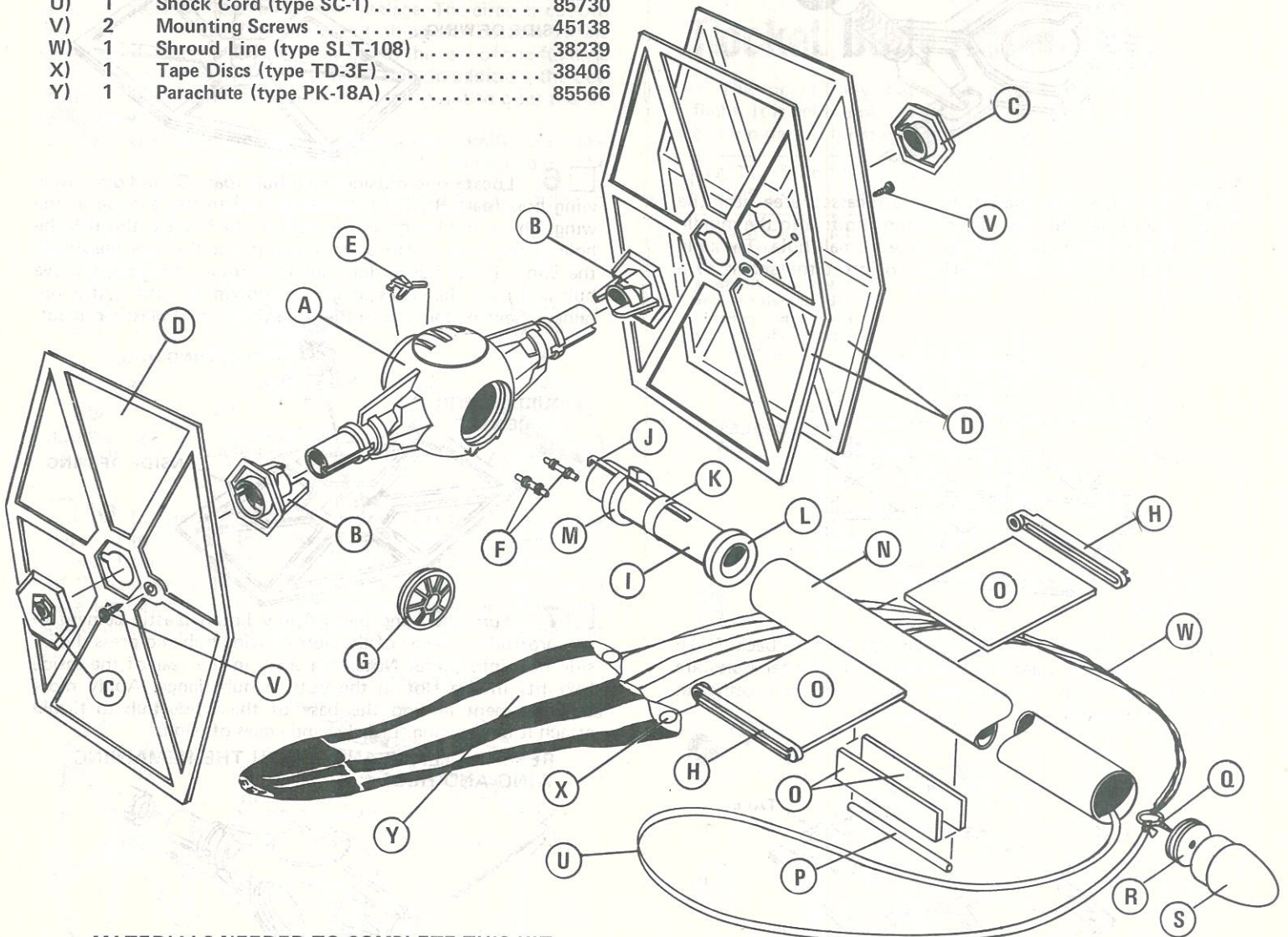
# PARTS LIST

# STAR WARS™

## T.I.E. Fighter

### KIT NO. 1299

A)	1	Fuselage .....	33199
B)	2	Inside Wing Hub .....	33193
C)	2	Outside Wing Hub .....	33191
D)	2	Wing (2 halves per sheet) .....	34000
E)	1	Rear Hatch Hinge .....	33197
F)	2	Laser Cannon .....	33196
G)	1	Cockpit Window .....	33195
H)	2	Wing/Fin Attachment Post .....	33198
I)	1	Engine Tube (type BT-20DJ) .....	30332
J)	1	Engine Holder (type EH-2) .....	35025
K)	1	Strapdown Ring (type HR-20) .....	30168
L)	1	Centering Ring (type AR-2050) .....	30164
M)	1	Split Centering Ring (type AR-2050S) .....	80425
N)	1	Body Tube (type BT-50TF) .....	30369
O)	1	Balsa Die-Cut Sheet .....	32306
P)	1	Launch Lug (type LL-2B) .....	38178
Q)	1	Screw Eye (type SE-2A) .....	38252
R)	2	Weight (type NCW-1A) .....	38280
S)	1	Nose Cone (type BNC-50J) .....	70256
T)	1	Pattern Sheet (Not Shown) .....	84065
U)	1	Shock Cord (type SC-1) .....	85730
V)	2	Mounting Screws .....	45138
W)	1	Shroud Line (type SLT-108) .....	38239
X)	1	Tape Discs (type TD-3F) .....	38406
Y)	1	Parachute (type PK-18A) .....	85566



### MATERIALS NEEDED TO COMPLETE THIS KIT

1. Modeling knife with sharp blade.
2. Ruler.
3. Pencil.
4. Fine (#320-#400 grit) sandpaper.
5. Liquid plastic cement "in a bottle" (do not substitute tube-type plastic model cement for this).
6. Household "white glue" for gluing wood or all porous materials.
7. Masking tape.
8. Balsa filler coat or sanding sealer.
9. Small (#1-#2) brush.
10. Enamel paint, refer to step 26 for colors needed.



A SUBSIDIARY OF DAMON  
**ESTES INDUSTRIES**  
 PENROSE, COLO. 81240