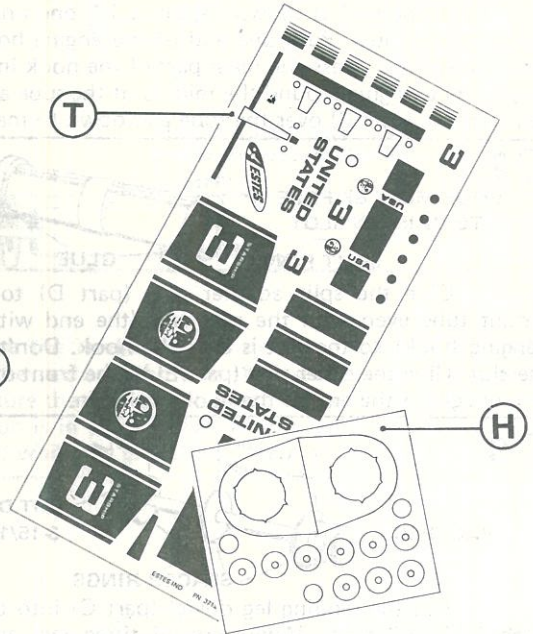
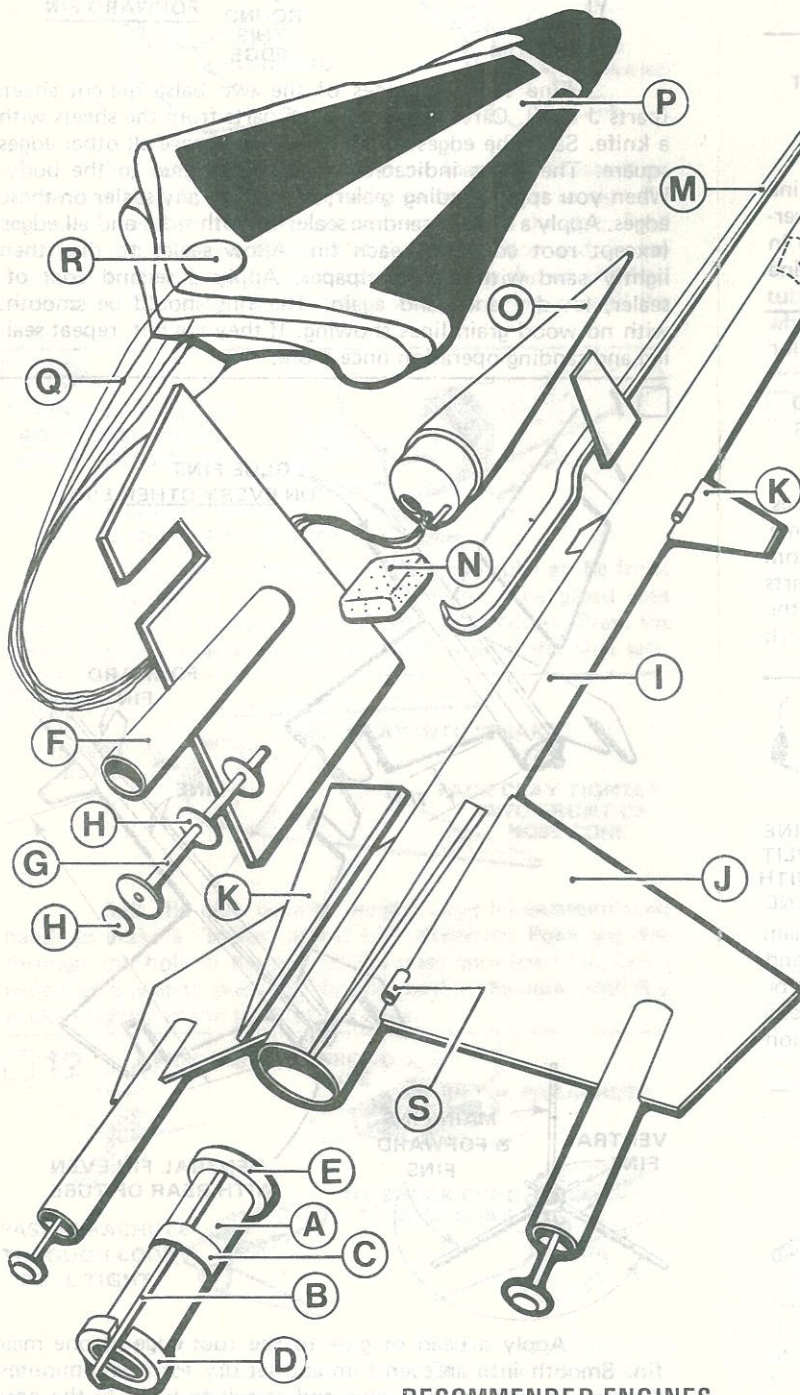


# STARSHIP VEGA

Read all instructions before beginning work on your model. Make sure you have all parts and materials. When you are thoroughly familiar with the assembly procedure, begin construction. Check off each step as you complete it. In each step, test-fit the parts together before applying any glue. If some part doesn't fit properly, sand lightly or build up as needed for precision assembly.

**SKILL LEVEL 3** – Recommended for Craftsman Rocketeers



## PARTS LIST

## KIT NO. 1320

A	1	Engine Mount Tube (type BT-20J) .....	30326
B	1	Engine Hook (type EH-2) .....	35025
C	1	Retainer Ring (type HR-20) .....	30168
D	1	Split Adapter Ring (type AR-2050S) .....	80425
E	1	Adapter Ring (type AR-2050) .....	30164
F	3	Landing Pod Tubes (type BT-5CJ) 3" .....	30310
G	1	Landing Leg Dowel .....	85901
H	1	Die-Cut Card (type TA-M4) .....	30038
I	1	Main Body Tube (type BT-50L) 12.7" .....	30366
J	1	Large Die-Cut Balsa Sheet (type BF-M4C) .....	32259
K	1	Small Die-Cut Balsa Sheet (type BF-M4B) .....	32244
L	1	Shock Cord Mount (type SCM-50) .....	84444
M	1	Shock Cord (type SC-1) 18" .....	85730
N	1	Clay Balance Weight (type CB-M4) .....	85260
O	1	Plastic Nose Cone (type PNC-50V) .....	71025
P	1	Parachute (type PK-12A) .....	85564
Q	1	Shroud Line Cord (type SLT-72) 72" .....	38237
R	6	Tape Discs (type TD-3F) .....	38406
S	2	Launch Lugs (type LL-2AM) 3/8" .....	38176
T	1	Water Transfer Decal (type KD-1320) .....	37134

## TOOLS AND MATERIALS

In addition to the parts included in this kit you will need white glue (Titebond glue, Elmer's, or similar household white glue is recommended), scissors, pencil or ball point pen, fine and extra-fine grit sandpaper, sanding sealer, masking tape and a medium size modeling paint brush. To paint your model we recommend gloss white enamel spray paint.

**RECOMMENDED ENGINES**  
B4-2 B4-4 B6-4 C6-5



A DAMON COMPANY

**ESTES INDUSTRIES**  
PENROSE, CO 81240 USA