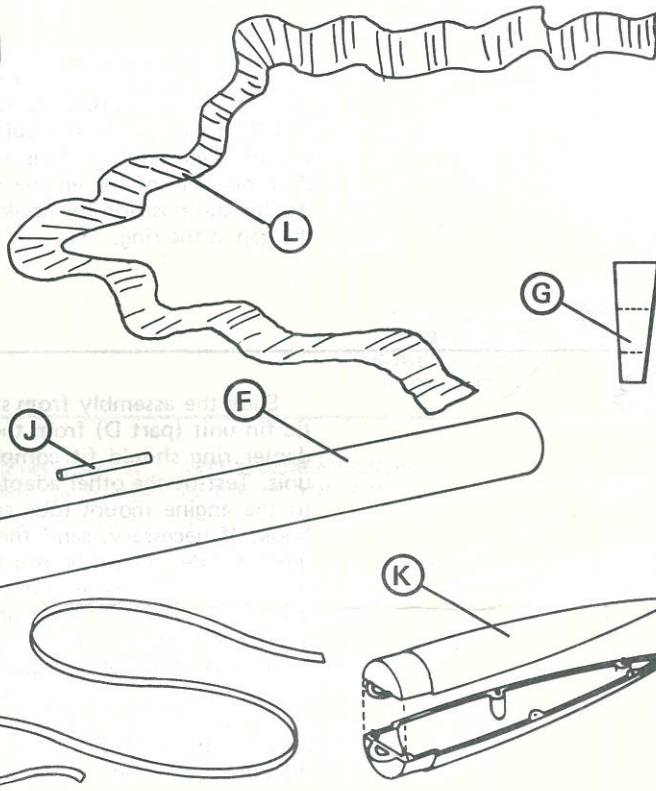
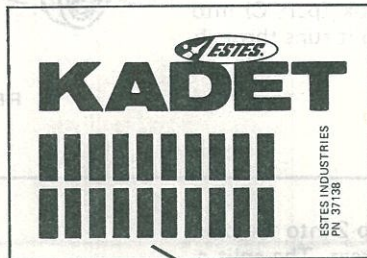


ESTES KADET

KIT NO. 1328

Skill Level 1
This kit recommended
for Beginning Rocketeers.



PARTS LIST

A 1	Split Adapter Ring (type AR-2050S)	80425	G 1	Shock Cord Mount (type SCM-50)	84444
B 1	Engine Mount Tube (type BT-20J) 2-3/4"	30326	H 1	Shock Cord (type SC-1) 18"	85730
C 1	Engine Hook (type EH-2)	35025	I 1	Decal Sheet (type KD-1)	37138
D 1	Plastic Fin Unit (type PRP-1G)	32486	J 1	Launch Lug (type LL-2B) 2-3/8"	38178
E 1	Adapter Ring (type AR-2050)	30164	K 2	Nose Cone Halves (type PRP-1H)	32487
F 1	Body Tube (type WBT-50W) 9-1/2"	30373	L 1	Streamer (type RS-20)	38278

TOOLS AND MATERIALS

Locate the parts and materials shown in the Parts View and lay them out on the table in front of you. In addition to the parts included in the kit you will also need:

1. White Glue (Titebond, Elmer's or similar).
2. Plastic Model Cement (Use cement made for styrene plastic models.).

3. Scissors.
4. A sharp model knife, or a single-edge razor blade.
5. A ruler.
6. A pencil

IMPORTANT ASSEMBLY TIP

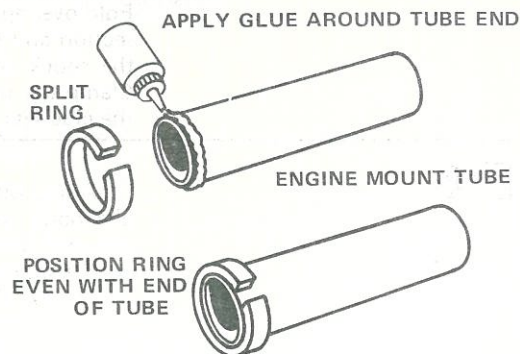
Read all instructions before beginning work on your model. Make sure you have all parts and materials. When you are thoroughly familiar with the assembly procedure, begin construction. Check off each step as you complete. In

each step, test-fit the parts together before applying any glue. If some part doesn't fit properly, sand lightly as required for precision assembly.

ROCKET ASSEMBLY

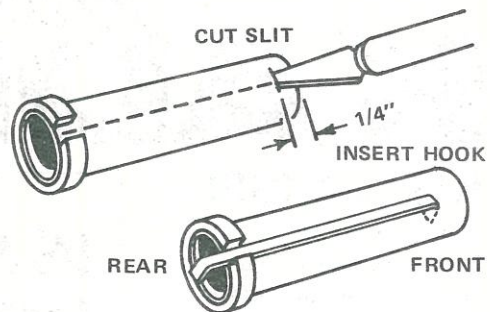
1

Glue the split adapter ring (part A) to the engine mount tube (part B). Apply a line of white glue around the outside of the engine mount tube at one end. Position the split ring over the glue so the end of the ring is even with the end of the tube and press the ring snugly around the tube. Wipe away any extra glue. Be sure to clean the extra glue from the gap in the ring.



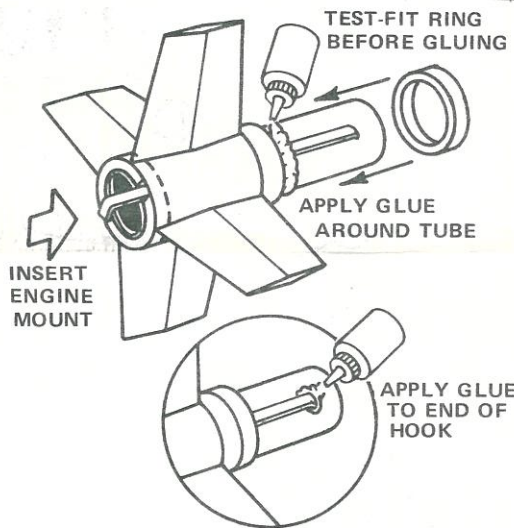
□ 2

Mark the engine mount tube 1/4" from the end opposite the ring and on a straight line from the gap in the split ring. Use a sharp knife to cut a 1/8" long slit in the tube at the mark as shown. Make sure the slit is in line with the gap. Push one end of the engine hook (part C) into the slit and position the hook so it runs through the gap in the ring.



□ 3

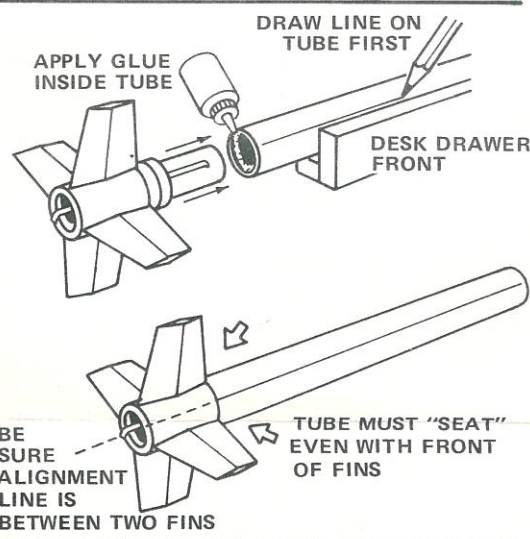
Slide the assembly from step 2 into the plastic fin unit (part D) from the rear. The split adapter ring should fit completely into the fin unit. Test-fit the other adapter ring (part E) onto the engine mount tube and over the engine hook. If necessary, sand the inside of the ring until it slides smoothly over the tube and hook. Apply a line of white glue around the engine tube 1/4" ahead of the front of the fin unit. Slide the ring onto the engine tube, over the hook, and back tightly against the fin unit. Do not pause while installing the ring or the glue may "grab" with the ring in the wrong place. Apply a drop of white glue to seal the front of the hook in the slit.



□ 4

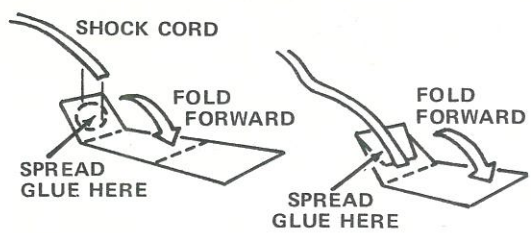
Draw a straight line along the entire length of the body tube (part F). The edge of a desk drawer or a door frame makes a suitable guide for drawing the line. Test-fit the fin unit assembly in the body tube end. The adapter ring should fit smoothly into the tube.

Spread white glue around the inside of either body tube end. The glue should cover an area extending 1/2" into the tube. Line up the tube and fin unit so the tube alignment line is between two fins, and insert the front of the fin unit into the tube end with the glue. The tube should "seat" evenly and tightly against the fins on the fin unit.



□ 5

Cut out the shock cord mount (part G). Crease it on the dotted lines by folding. Spread white glue on the first section (1) and lay the end of the shock cord (part H) into the glue. Fold over and apply glue to the back of the first section and the exposed part of section 2. Lay the shock cord as shown and fold over again. Clamp the unit together with your fingers until the glue sets.



□ 6

Apply white glue to the inside of the front of the body tube to cover an area 1" to 2" from the end. The glued area should be the same size as the shock cord mount. Press the mount into the glue as shown. Hold it until the glue sets.

