

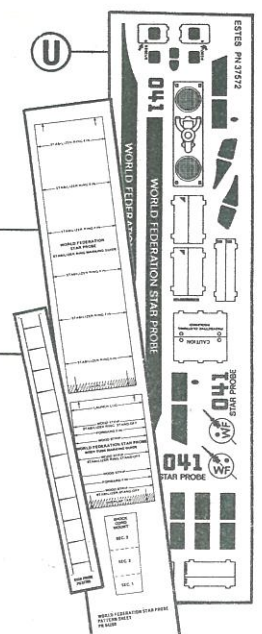
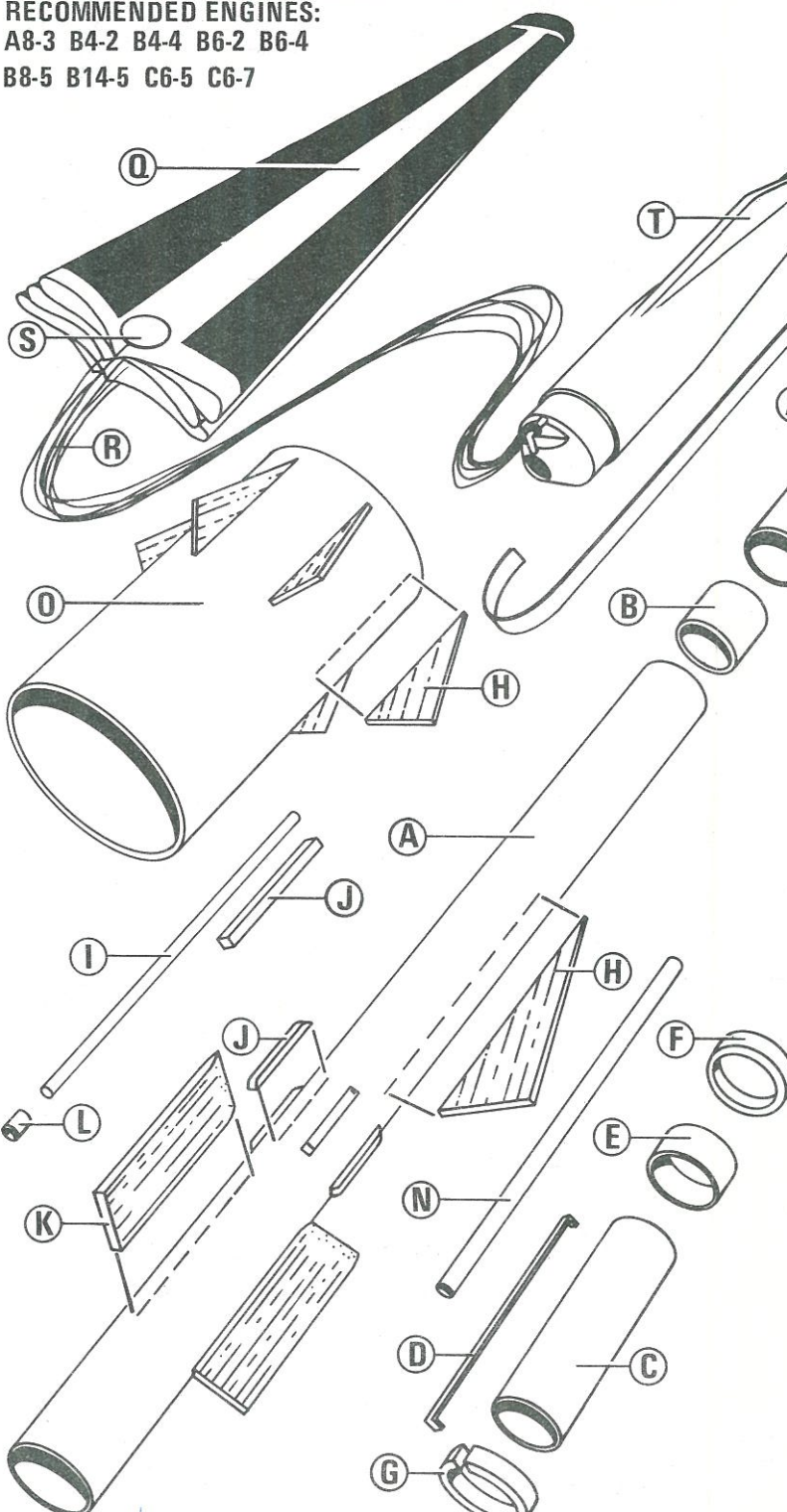
WORLD FEDERATION STAR PROBE

BEFORE YOU START

Read all instructions before beginning work on your model. Make sure you have all parts and materials. When you are thoroughly familiar with the assembly procedure, begin construction. Check off each step as you complete it. In each step, test-fit the parts together before applying any glue. If some part doesn't fit properly sand lightly or build up as required for precision assembly.

SKILL LEVEL 3 — Recommended for Craftsman Rocketeers.

RECOMMENDED ENGINES:
 A8-3 B4-2 B4-4 B6-2 B6-4
 B8-5 B14-5 C6-5 C6-7



KIT NO. 1341 PARTS LIST

A	2	Body Tubes (type BT-50L)	30366
B	1	Body Tube Coupler (type JT-50C)	30260
C	1	Engine Mount Tube (type BT-20J)	30326
D	1	Engine Hook (type EH-2)	35025
E	1	Hook Retainer Ring (type HR-20)	30168
F	1	Centering Ring (type AR-2050)	30164
G	1	Split Centering Ring (type AR-2050S)	80425
H	1	Die-Cut Balsa Sheet (type BF-1341)	32345
I	1	1/8" Wood Dowel	85903
J	1	1/8" Square Wood Strip	85926
K	1	Balsa Strip	32279
L	1	Launch Lug (type LL-2AM)	38176
M	1	Pattern Sheet (type SP-1341)	84208
N	1	Launch Lug (type LL-2C)	38180
O	1	Stabilizer Ring (type BT-80S)	30427
P	1	Shock Cord (type SC-1)	85730
Q	1	Parachute (type PK-12)	85564
R	1	Shroud Line (type SLT-72)	38237
S	1	Tape Discs (type TD-3F)	38406
T	1	Nose Cone (type PNC-50SP)	71001
U	1	Decal (type KD-1341B)	37572
V	1	Mylar Stick-On Decal (type KD-1341A)	37705

TOOLS AND MATERIALS

In addition to the parts included in this kit you will need white glue (Titebond, Elmer's, or similar household white glue is recommended.), scissors, pencil, ruler, fine and extra-fine grit sandpaper, sanding sealer, masking tape, a medium size modeling paint brush, masking knife with sharp blade, tweezers, white enamel spray paint, and a bottle of black enamel paint.