



www.estesrockets.com

Estes Industries  
1295 H Street  
Penrose, CO 81240  
Printed in U.S.A.



FLYING MODEL ROCKET KIT  
KEEP FOR FUTURE REFERENCE

EST 1407

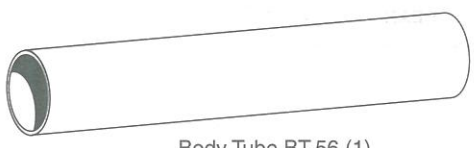
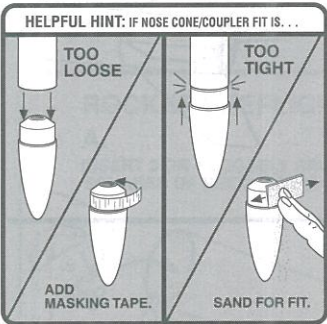
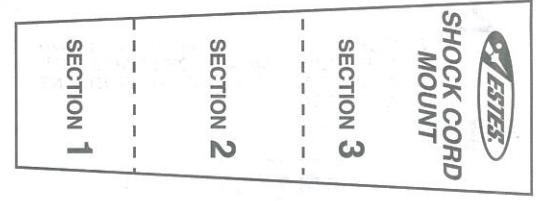
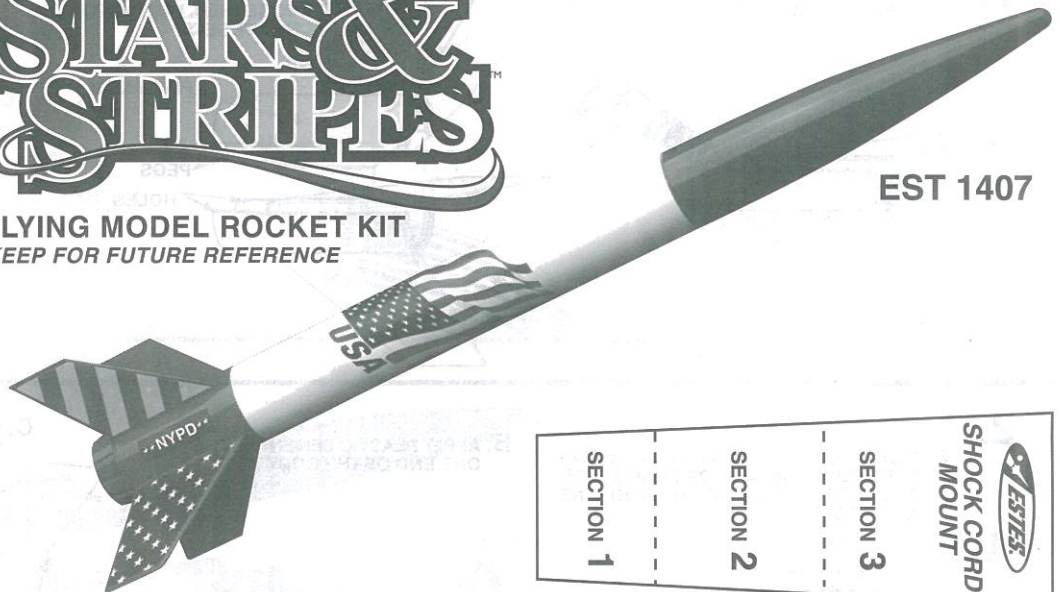
### ASSEMBLY TIP

Read all instructions before beginning work on your model. Make sure you have all parts and supplies.

**TEST-FIT ALL PARTS TOGETHER BEFORE APPLYING ANY GLUE.** If any parts don't fit properly, sand as required for precision assembly.

### PARTS

Locate the parts shown below and lay them out on the table in front of you. DO NOT USE THIS DRAWING TO ASSEMBLE YOUR ROCKET.



Body Tube BT-56 (1)  
(30346)



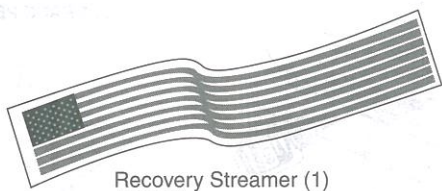
Nose Cone PNC-56A (1)  
(72014)



Launch Lug (1)  
(38175)



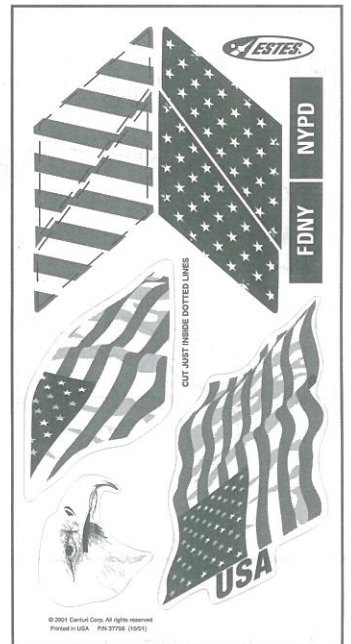
1/8" (3 mm) x 18" (45.7 cm)  
Shock Cord (1) (38374)



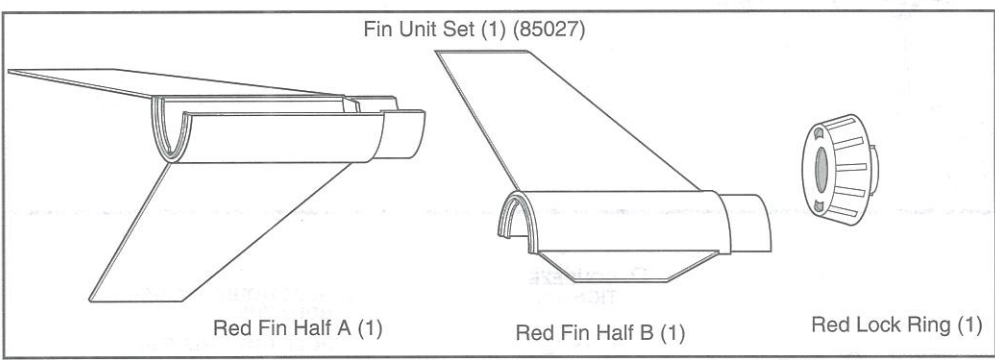
Recovery Streamer (1)  
(38273)



Stars & Stripes™ Window  
Sticker (1) (37758)



Stars & Stripes™ Rocket Decal (1)  
(37756)



Fin Unit Set (1) (85027)

Red Fin Half A (1)

Red Fin Half B (1)

Red Lock Ring (1)

### SUPPLIES

 In addition to the parts included in the kit you will also need:

SCISSORS



PENCIL



RULER



FINE SAND PAPER  
(#400-600 GRIT)



CARPENTER'S  
GLUE



MODELING  
KNIFE



PLASTIC  
CEMENT



MASKING  
TAPE

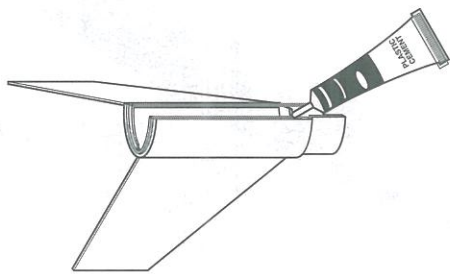


SPRAY  
CLEAR  
COAT

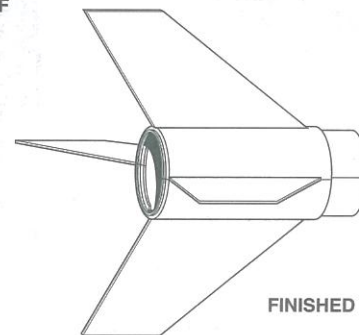
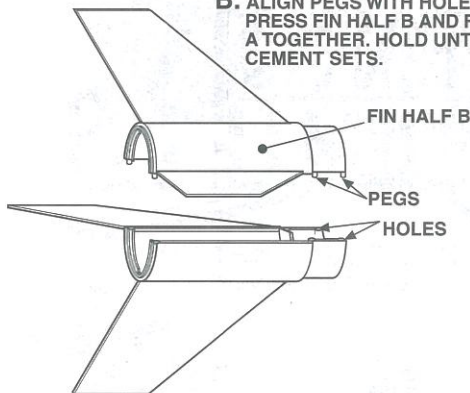


CLEAR  
TAPE

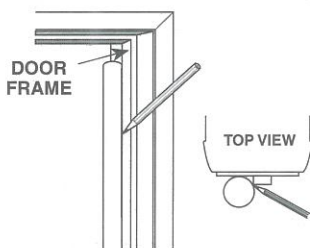
**1. A. APPLY PLASTIC CEMENT TO FIN HALF A.**



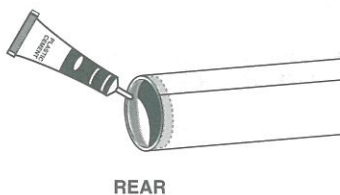
**B. ALIGN PEGS WITH HOLES AND PRESS FIN HALF B AND FIN HALF A TOGETHER. HOLD UNTIL CEMENT SETS.**



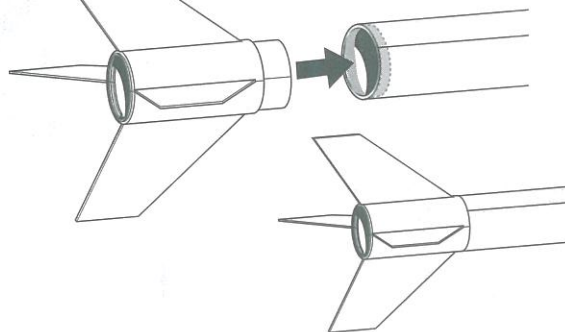
**2. A. LIGHTLY DRAW A STRAIGHT LINE DOWN THE BODY TUBE. A DOOR FRAME CAN BE USED TO MAKE THE STRAIGHT LINE AS SHOWN.**



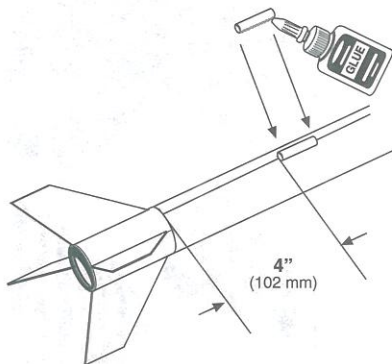
**B. APPLY PLASTIC CEMENT INSIDE ONE END OF THE BODY TUBE.**



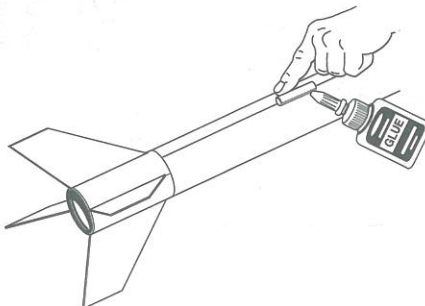
**C. INSERT ASSEMBLED FIN UNIT. WIPE AWAY EXCESS PLASTIC CEMENT. LET DRY.**



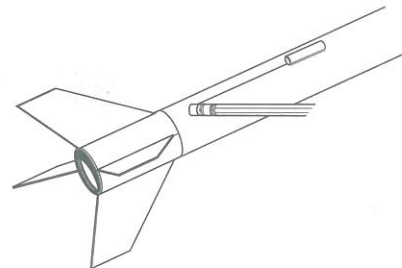
**3. A. GLUE LAUNCH LUG CENTERED ON LAUNCH LUG LINE.**



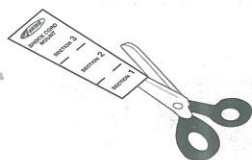
**B. APPLY GLUE FILLETS TO LAUNCH LUG. THEN SMOOTH WITH FINGER TIP AND LET DRY.**



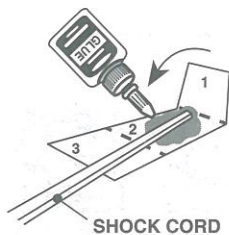
**C. ERASE PENCIL MARK.**



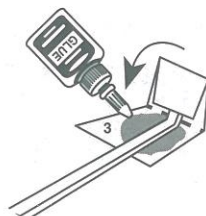
**4. A. CUT OUT SHOCK CORD MOUNT FROM FRONT PAGE.**



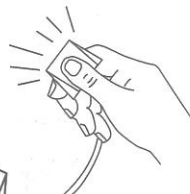
**B. FOLD FORWARD.**



**C. FOLD FORWARD.**



**D. SQUEEZE TIGHTLY.**



**E. GLUE MOUNT INSIDE BODY TUBE. HOLD UNTIL GLUE SETS.**

