

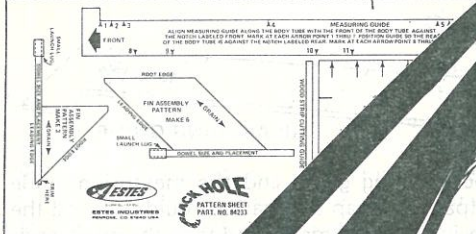
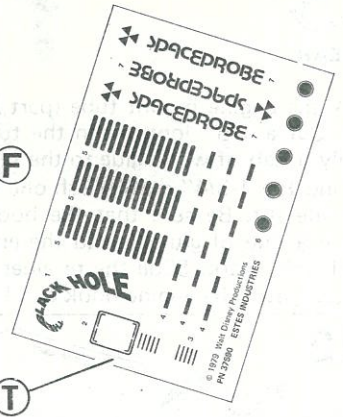
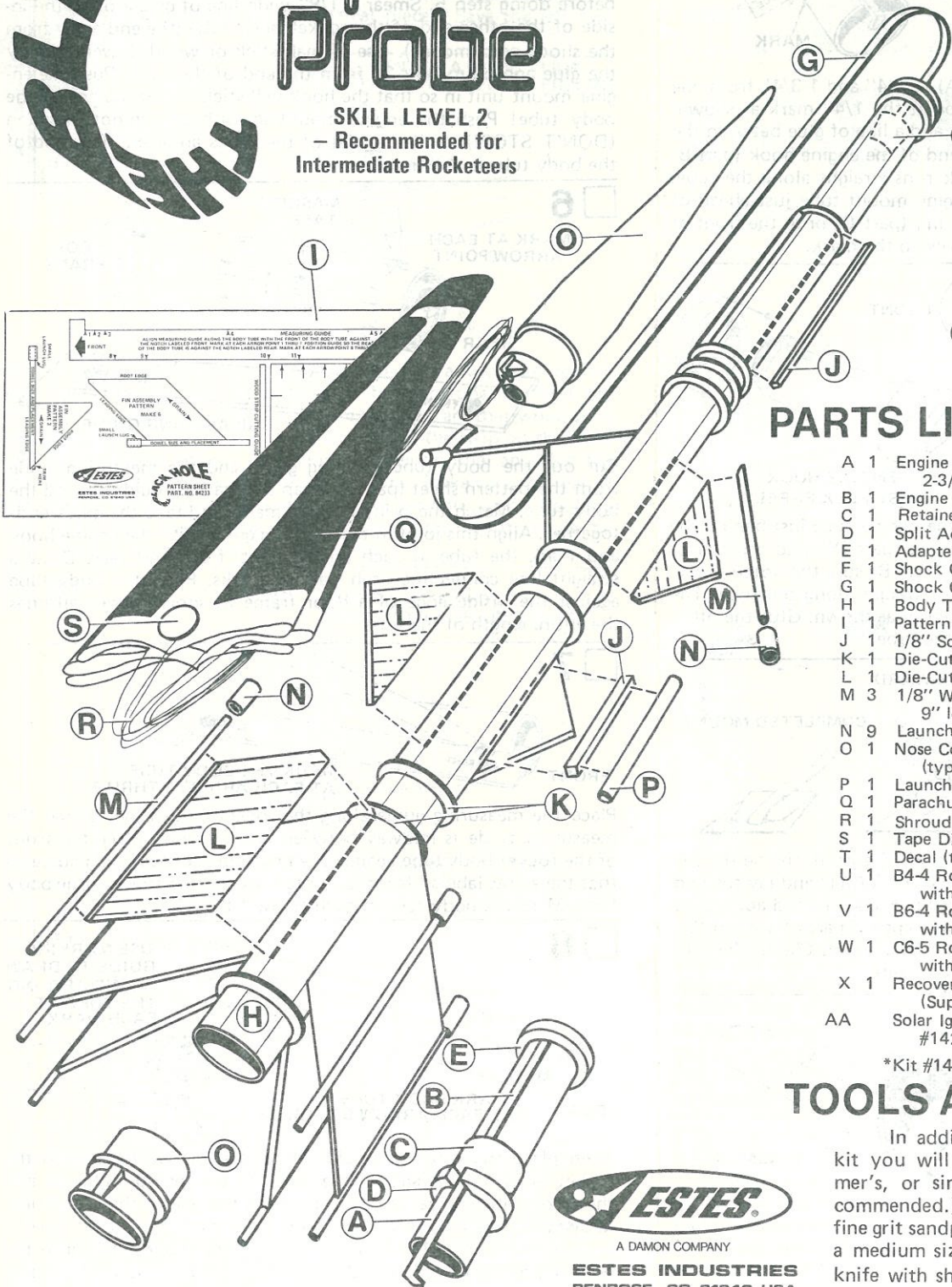
THE BLACK HOLE

Space Probe

SKILL LEVEL 2
- Recommended for Intermediate Rocketeers

BEFORE YOU START
COMPLETE THESE INSTRUCTIONS FIRST
(Pages 1 - 4)

Read all instructions before beginning work on your model. Make sure you have all parts and materials. When you are thoroughly familiar with the assembly procedure, begin construction. Check off each step as you complete it. In each step, test-fit the parts together before applying any glue. If some part doesn't fit properly, sand lightly or build-up as needed for precision assembly.



PARTS LIST KIT NO.1426

- A 1 Engine Mount Tube (type BT-20J) 2-3/4" long 30326
- B 1 Engine Hook (type EH-2) 35025
- C 1 Retainer Ring (type HR-20) 30168
- D 1 Split Adapter Ring (type AR-2050S) 80425
- E 1 Adapter Ring (type AR-2050) 30164
- F 1 Shock Cord Mount (type SCM-50) 84444
- G 1 Shock Cord (type SC-1) 85730
- H 1 Body Tube (type BT-50) 18" long 30352
- I 1 Pattern Sheet (type SP-1350) 84233
- J 1 1/8" Square Wood Strip 12" long 85923
- K 1 Die-Cut Card (type TA-1350) 32950
- L 1 Die-Cut Balsa Sheet (type BF-1426) 32380
- M 3 1/8" Wooden Dowels (type WD-1S) 9" long 85904
- N 9 Launch Lugs (type LL-2AM) 3/8" long . 38176
- O 1 Nose Cone and Display Nozzle (type PNC-50BB) 71027
- P 1 Launch Lug (type LL-2B) 2-3/8" long . 38178
- Q 1 Parachute (type PK-12A) 85564
- R 1 Shroud Line (type SLT-72) 72" long . . 38237
- S 1 Tape Discs (type TD-3F) 38406
- T 1 Decal (type KD-1350) 37590
- U 1 B4-4 Rocket Engine (Supplied Only with Kit #1426*) 80252
- V 1 B6-4 Rocket Engine (Supplied Only with Kit #1426*) 80260
- W 1 C6-5 Rocket Engine (Supplied Only with Kit #1426*) 80292
- X 1 Recovery Wadding (type RP-1C) (Supplied only with Kit #1426*) . . . 85717
- AA Solar Igniters (Supplied Only with Kit #1426*) 85551

*Kit #1426 is the Estes Black Hole Starter Kit.

TOOLS AND MATERIALS

In addition to the parts included in this kit you will need: white glue, (Titebond, Elmer's, or similar household white glue is recommended.), scissors, pencil, fine and extra-fine grit sandpaper, sanding sealer, masking tape, a medium size modeling paint brush, modeling knife with sharp blade, ruler, and metallic light blue enamel spray paint, and a bottle of chrome silver enamel paint (for optional decor).



A DAMON COMPANY
ESTES INDUSTRIES
PENROSE, CO 81240 USA