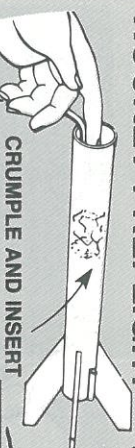


FINISHING YOUR ROCKET

When all glue is completely dry, cut out and apply pressure sensitive decals. Refer to photograph on front page and/or front of panel for decal placement.

ROCKET PREFLIGHT

FOLD STREAMER IN HALF 6 TIMES



ROLL STREAMER TIGHTLY

NOTE: If nose cone fits too loosely wrap tape around the shoulder until a snug but not tight fit is achieved.

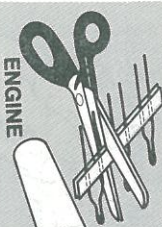
CRUMPLE AND INSERT 2 SQUARES OF RECOVERY WADDING

NOTE: If streamer fits too tightly into body, remove and re-roll. A too-tight fit could cause an ejection malfunction during flight.

INSERT SHOCK CORD, STREAMER, AND NOSE CONE INTO ROCKET

PREPARE ENGINE

SEPARATE THE IGNITERS



INSERT IGNITER

IGNITER TIP MUST TOUCH PROPELLANT DEEP INSIDE NOZZLE OPENING

INSTALL ENGINE IN ROCKET

APPLY AND FIRMLY PRESS TAPE DISC OR MASKING TAPE IN PLACE

HOOK MUST LATCH OVER END OF ENGINE

LAUNCH SUPPLIES

To launch your rocket you will need the following items:

- Estes Launch Control System
- Estes Recovery Wadding (No. 2274)
- Recommended Engines: 1/2A6-2, A8-3, A8-5, B4-4, B4-6, B6-4, B6-6, C6-5, or C6-7
- Use 1/2A6-2 engine for your first flight to become familiar with your rocket's flight pattern.

FLYING YOUR ROCKET

Choose a large field away from power lines, tall trees, and low flying aircraft. Try to find a field at least 250 feet square. The larger the launch area, the better your chance of recovering your rocket. Football fields and playgrounds are great.

Launch area must be free of dry weeds and brown grass.

Launch only during calm weather with little or no wind and good visibility.

MISFIRES

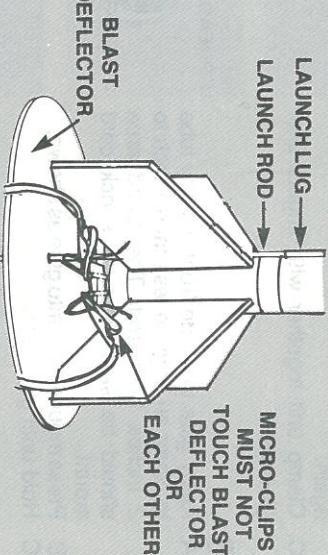
Failure of the rocket engine to function properly is nearly always caused by a failure to install the igniter correctly. This failure permits the igniter to heat and burn into two pieces without igniting the engine.

FOR YOUR SAFETY AND ENJOYMENT

Always follow the NAR-HIA* MODEL ROCKETRY SAFETY CODE while participating in any model rocketry activities.

*National Association of Rocketry-The Hobby Industry of America
84096

COUNTDOWN AND LAUNCH



10 REMOVE SAFETY KEY to disarm the launch controller.

9 Remove safety cap and slide launch lug over launch rod to place rocket on launch pad. Make sure the rocket slides freely on the launch rod.

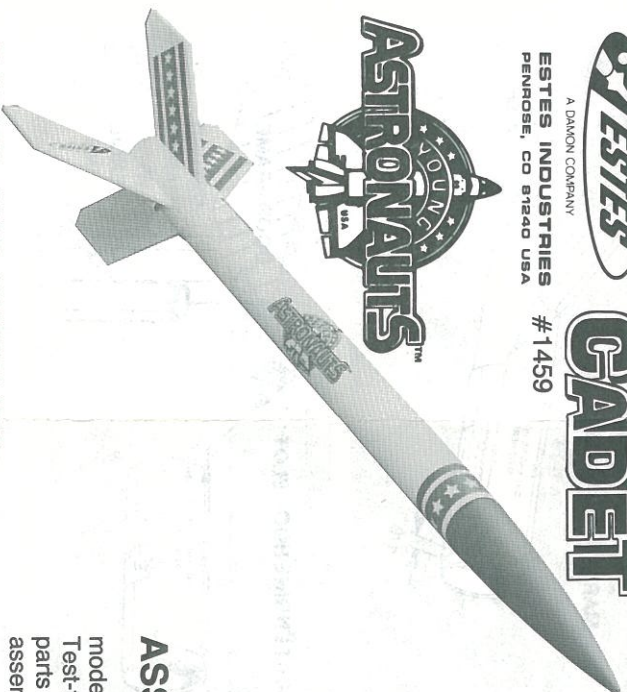
8 Attach micro-clips to the igniter wires. Arrange the clips so they do not touch each other or the metal blast deflector. Attach clips as close to protective tape on igniter as possible.

7 Move back from your rocket as far as launch wire will permit, (at least 15 feet).

6 INSERT SAFETY KEY to arm the launch controller. Give audible countdown... 5... 4... 3... 2... 1... **LAUNCH!!!**
Remove safety key—Replace cap on rod.

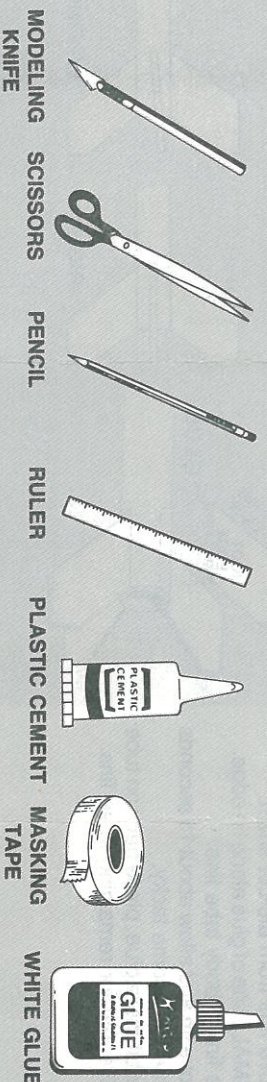


A DANNON COMPANY
ESTES INDUSTRIES
PENROSE, CO 81240 USA



PARTS AND SUPPLIES

Locate the parts shown below and lay them out on the table in front of you. In addition to the parts included in the kit you will also need:



ASSEMBLY TIP

Read all instructions before beginning work on your model. Make sure you have all parts and supplies. Test-fit all parts together before applying any glue. If any parts don't fit properly, sand as required for precision assembly.

