



www.estesrockets.com
 ESTES-COX CORP.
 1295 H Street
 Penrose, CO 81240
 PRINTED IN CHINA

WICKED STREAK SST™

#1484

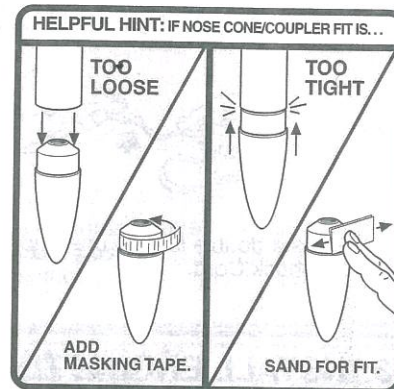
FLYING MODEL ROCKET KIT INSTRUCTIONS
 KEEP FOR FUTURE REFERENCE



ASSEMBLY TIP

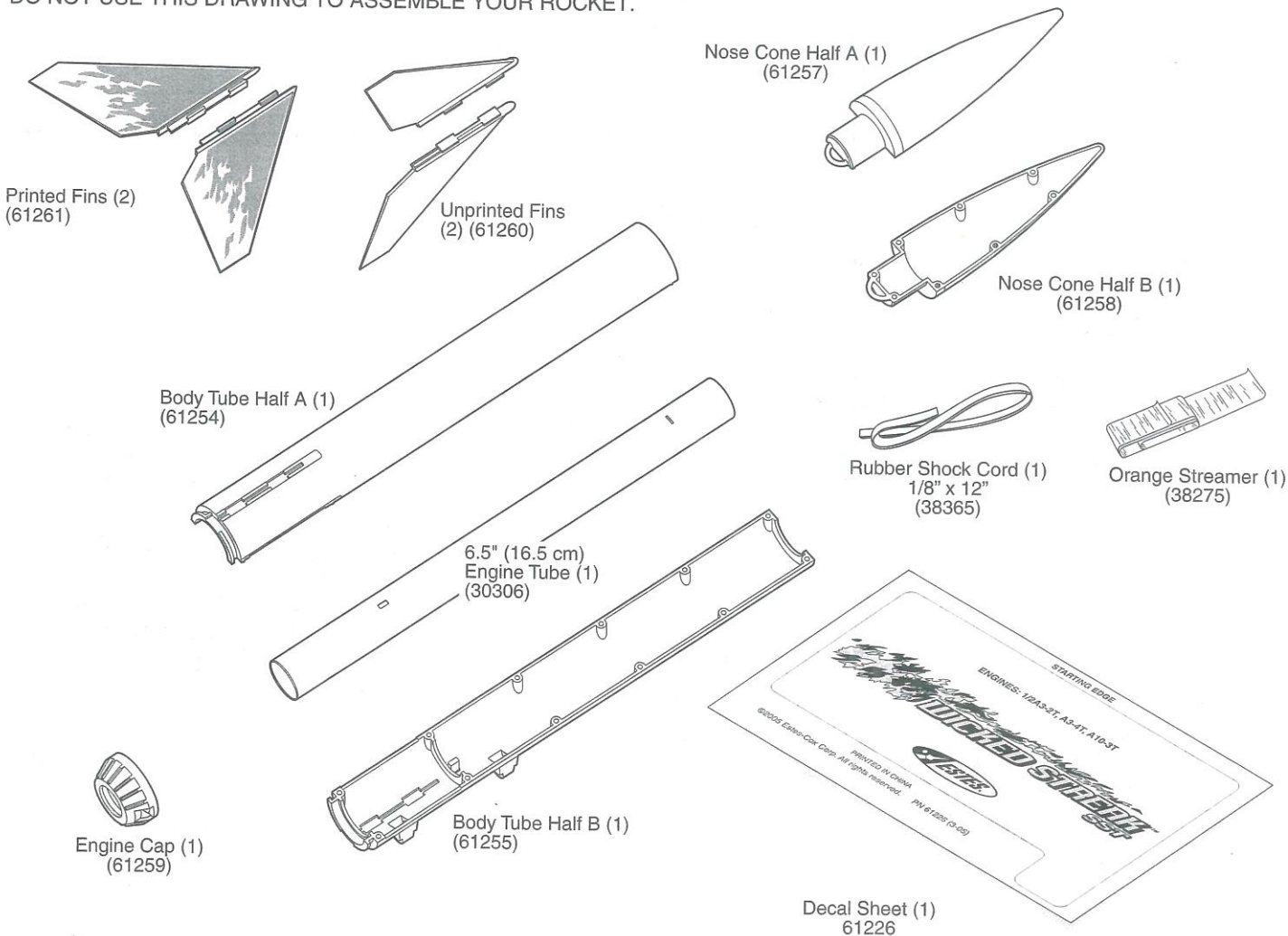
Read all instructions before beginning work on your model.
 Make sure you have all parts and supplies.

TEST-FIT ALL PARTS TOGETHER BEFORE SNAPPING TOGETHER.



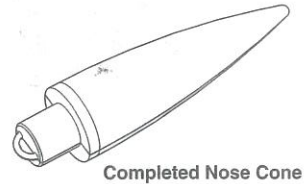
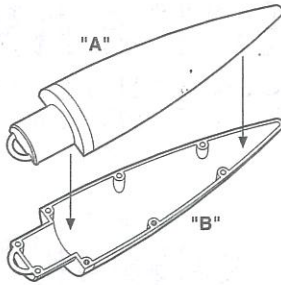
PARTS

Locate the parts shown below and lay them out on the table in front of you.
 DO NOT USE THIS DRAWING TO ASSEMBLE YOUR ROCKET.



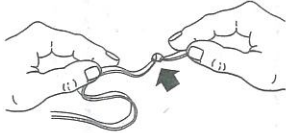
1. ASSEMBLE NOSE CONE

A. Match the Nose Cone Half A with Nose Cone Half B and snap together.

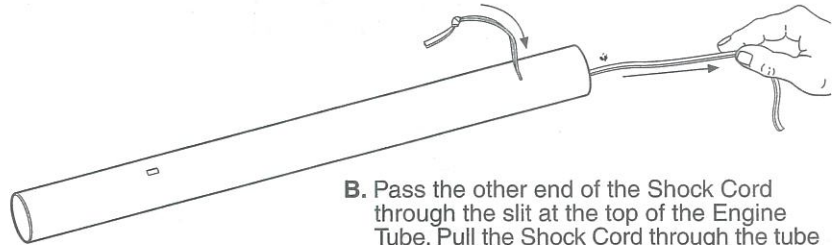


Completed Nose Cone

2. INSTALL SHOCK CORD



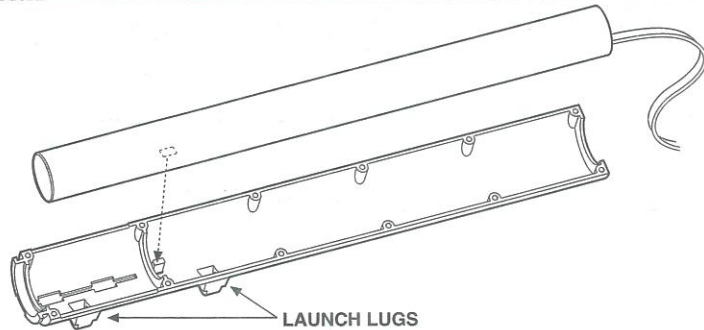
A. Tie a double knot at one end of the Shock Cord.



B. Pass the other end of the Shock Cord through the slit at the top of the Engine Tube. Pull the Shock Cord through the tube until the double knot stops at the slit.

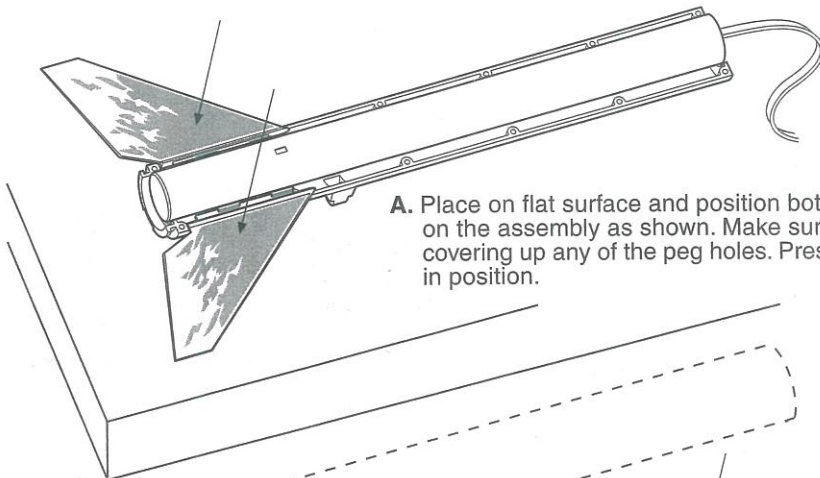
3. INSTALL ENGINE TUBE

A. Align the hole on the Engine Tube with the pin on Body Tube Half B (the one with launch lugs). Insert the Engine Tube.

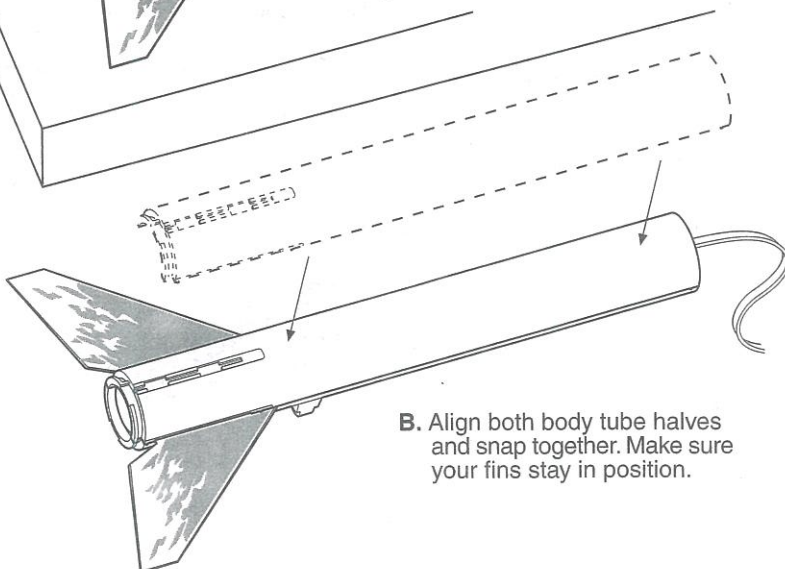


LAUNCH LUGS

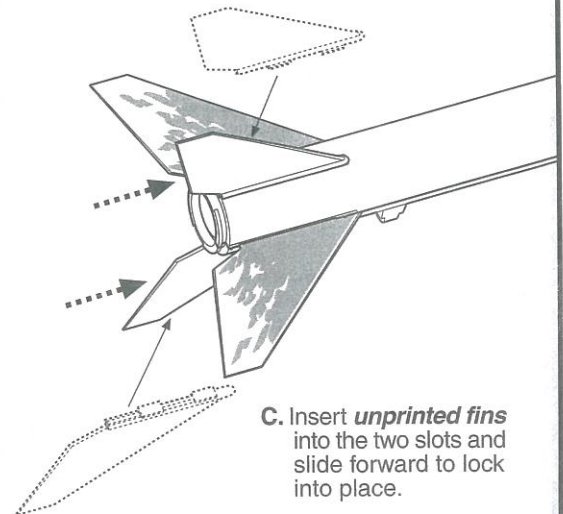
4. ATTACH FINS



A. Place on flat surface and position both *printed fins* on the assembly as shown. Make sure you're not covering up any of the peg holes. Press down to hold in position.



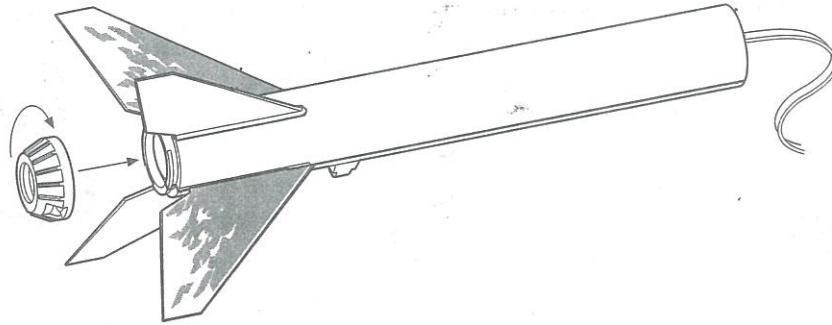
B. Align both body tube halves and snap together. Make sure your fins stay in position.



C. Insert *unprinted fins* into the two slots and slide forward to lock into place.

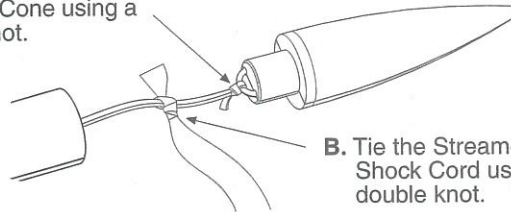
5. ATTACH ENGINE CAP

- A. Attach Engine Cap and turn clockwise to lock into place.



6. ATTACH SHOCK CORD AND STREAMER

- A. Tie the Shock Cord to the Nose Cone using a double knot.



- B. Tie the Streamer to the Shock Cord using a double knot.

DECAL PLACEMENT

- A. Peel decal from backing sheet and apply as shown. Rub down to remove bubbles.

NOTE: The decal must be applied as it reinforces the body tube seams.

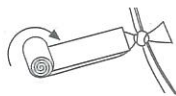


PREPARE FOR FLIGHT

- A. Insert two squares of loosely crumpled recovery wadding into Body Tube.

NOTE: Only Estes Wadding (302274) recommended.

- B. Fold Streamer in half.



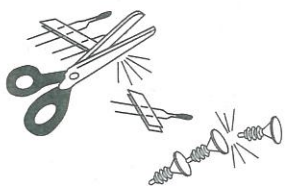
- C. Roll Streamer.

- D. Insert Streamer, Shock Cord and Nose Cone into Body Tube.

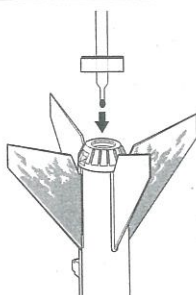
PREPARE ENGINE

⚠ WARNING: FLAMMABLE

To avoid serious injury, read instructions & NAR Safety Code included with engines.
PREPARE YOUR ENGINE ONLY WHEN YOU ARE OUTSIDE AT THE LAUNCH SITE PREPARING TO LAUNCH!
 If you do not use your prepared engine, remove the igniter before storing your engine.



- C. Separate Igniter & Plug.



- D. Drop in Igniter.



TIP MUST TOUCH PROPELLANT

- E. Insert Igniter Plug.



- F. Firmly push all the way in.



- G. Bend igniter wires as shown.

