

GERMAN V-2

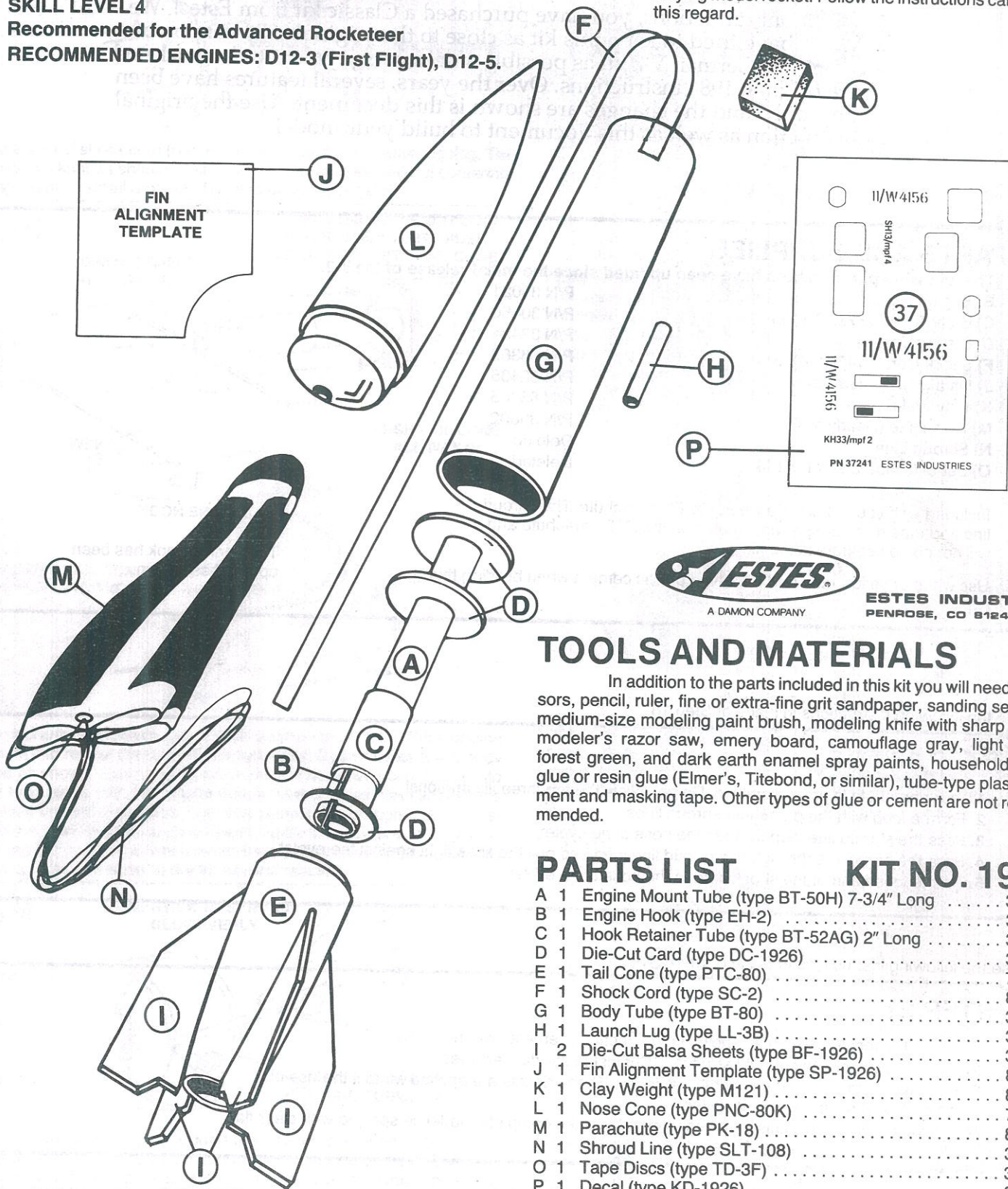
SKILL LEVEL 4

Recommended for the Advanced Rocketeer

RECOMMENDED ENGINES: D12-3 (First Flight), D12-5.

BEFORE YOU START

Read each step and study the accompanying drawings before doing any of the work called for in that step. Make sure you have all parts and materials. Check off each step as you complete it. Always test-fit parts together before applying glue. It will sometimes be necessary to sand edges of rings, tubes, etc. to obtain proper fit. If you are in doubt about the relative size or location of some parts, refer back to this exploded view drawing for clarification. Adequate glue joints are very important for a flying model rocket. Follow the instructions carefully in this regard.



A DAMON COMPANY

ESTES INDUSTRIES
PENROSE, CO 81240 USA

TOOLS AND MATERIALS

In addition to the parts included in this kit you will need: Scissors, pencil, ruler, fine or extra-fine grit sandpaper, sanding sealer, a medium-size modeling paint brush, modeling knife with sharp blade, modeler's razor saw, emery board, camouflage gray, light earth, forest green, and dark earth enamel spray paints, household white glue or resin glue (Elmer's, Titebond, or similar), tube-type plastic cement and masking tape. Other types of glue or cement are not recommended.

PARTS LIST KIT NO. 1904

A	1	Engine Mount Tube (type BT-50H) 7-3/4" Long	30360
B	1	Engine Hook (type EH-2)	35025
C	1	Hook Retainer Tube (type BT-52AG) 2" Long	30378
D	1	Die-Cut Card (type DC-1926)	32441
E	1	Tail Cone (type PTC-80)	71033
F	1	Shock Cord (type SC-2)	85736
G	1	Body Tube (type BT-80)	30432
H	1	Launch Lug (type LL-3B)	38166
I	2	Die-Cut Balsa Sheets (type BF-1926)	32626
J	1	Fin Alignment Template (type SP-1926)	83698
K	1	Clay Weight (type M121)	85264
L	1	Nose Cone (type PNC-80K)	71035
M	1	Parachute (type PK-18)	85566
N	1	Shroud Line (type SLT-108)	38239
O	1	Tape Discs (type TD-3F)	38406
P	1	Decal (type KD-1926)	37241