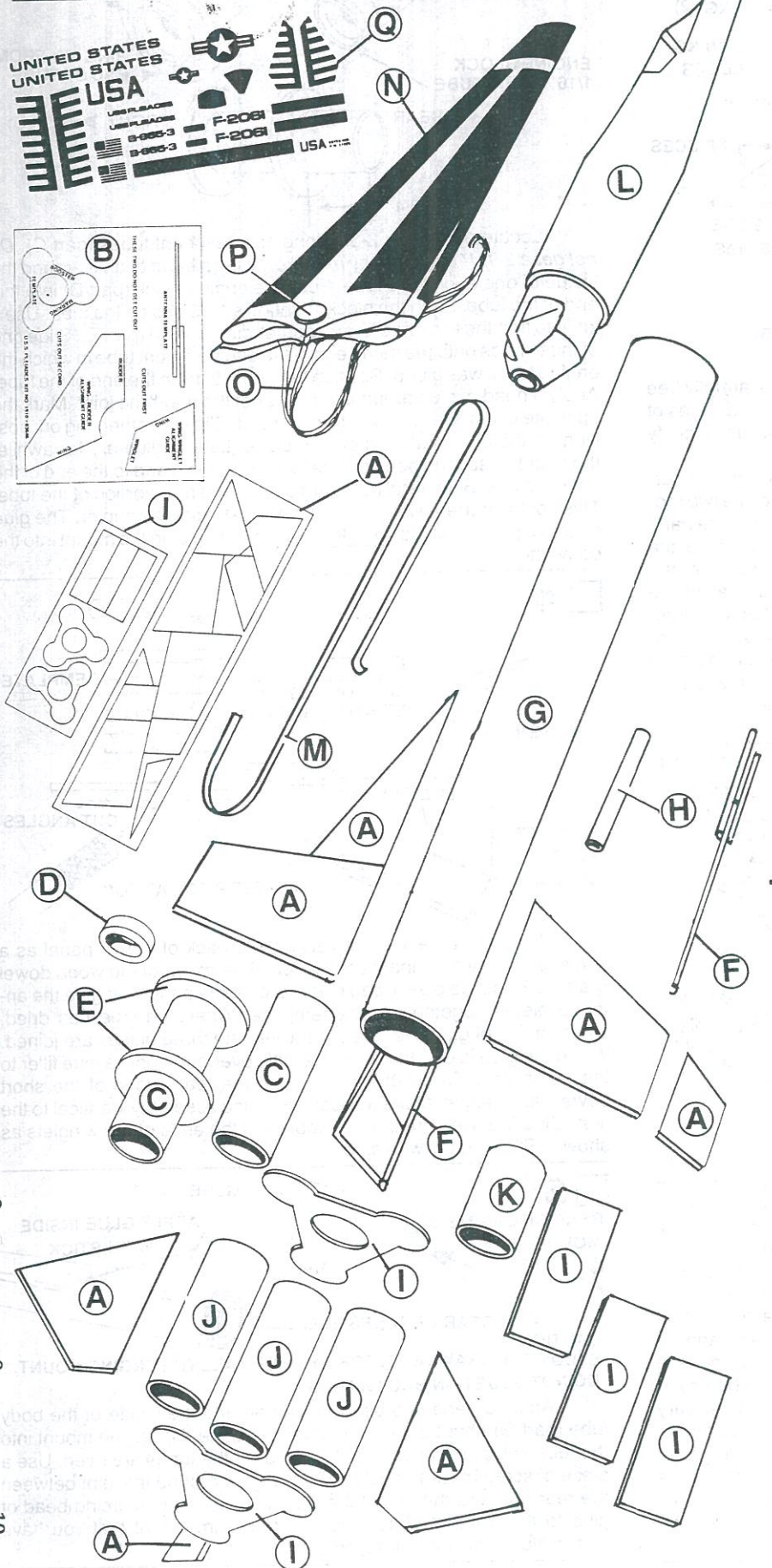


USS PLEIADES

SKILL LEVEL 3 - Recommended For Experienced Rocketeers



BEFORE YOU START

Read each step and study the accompanying drawings before doing any of the work called for in that step. Make sure you have all parts and materials. Check off each step as you complete it. Always test-fit parts together before applying glue. It will sometimes be necessary to sand edges of rings, tubes, etc. to obtain proper fit. If you are in doubt about the relative size or location of some parts, refer back to this exploded view drawing for clarification. Adequate glue joints are very important for a flying model rocket. Follow the instructions carefully in this respect.

PARTS LIST KIT NO. 1910

A	1	Balsa Die-Cut Sheet (type BF-1910)	32610
B	1	Pattern Sheet (back of kit panel)	83646
C	2	Body Tube (type BT-20J) 2-3/4" long	30326
D	1	Engine Block (type AR-520)	30162
E	1	Die-Cut Card (type PL-2055)	30127
F	1	Wood Dowel	32058
G	1	Body Tube (type BT-55KA)	30387
H	1	Launch Lug (type LL-2B)	38178
I	1	Die-Cut Card (type RA-1910)	32460
J	3	Body Tube (type BT-20M)	
		2-1/4" long	30334
K	1	Stage Coupler (type JT-20D)	30255
L	1	Nose Cone (type PNC-55B)	72056
M	1	Shock Cord (type SC-1)	85730
N	1	Parachute (type PK-18A)	85566
O	1	Shroud Line (type SLT-108)	38239
P	1	Tape Discs-6 (type TD-3F)	38406
Q	1	Decal (type KD-1910)	37225

TOOLS AND MATERIALS

In addition to the parts included in this kit you will need: Scissors, pencil, ruler, fine or extra-fine grit sandpaper, sanding sealer, a medium-size modeling paint brush, modeling knife with sharp blade, gloss white spray enamel, small bottle black enamel, and household white glue or resin glue (Elmer's, Titebond, or similar). Other types of glue are not recommended.

RECOMMENDED ENGINES:

For 2 stage launches A8-0, A8-5, B6-0, B4-6, B6-6, C6-0, C6-7.

For single stage launches A8-3, B4-4, B6-4, B8-5, C6-5.

Use an A8-0 and A8-5 for the first flight.



A DAMON COMPANY

ESTES INDUSTRIES
PENROSE, CO 81240 USA