

# GERMAN V-2

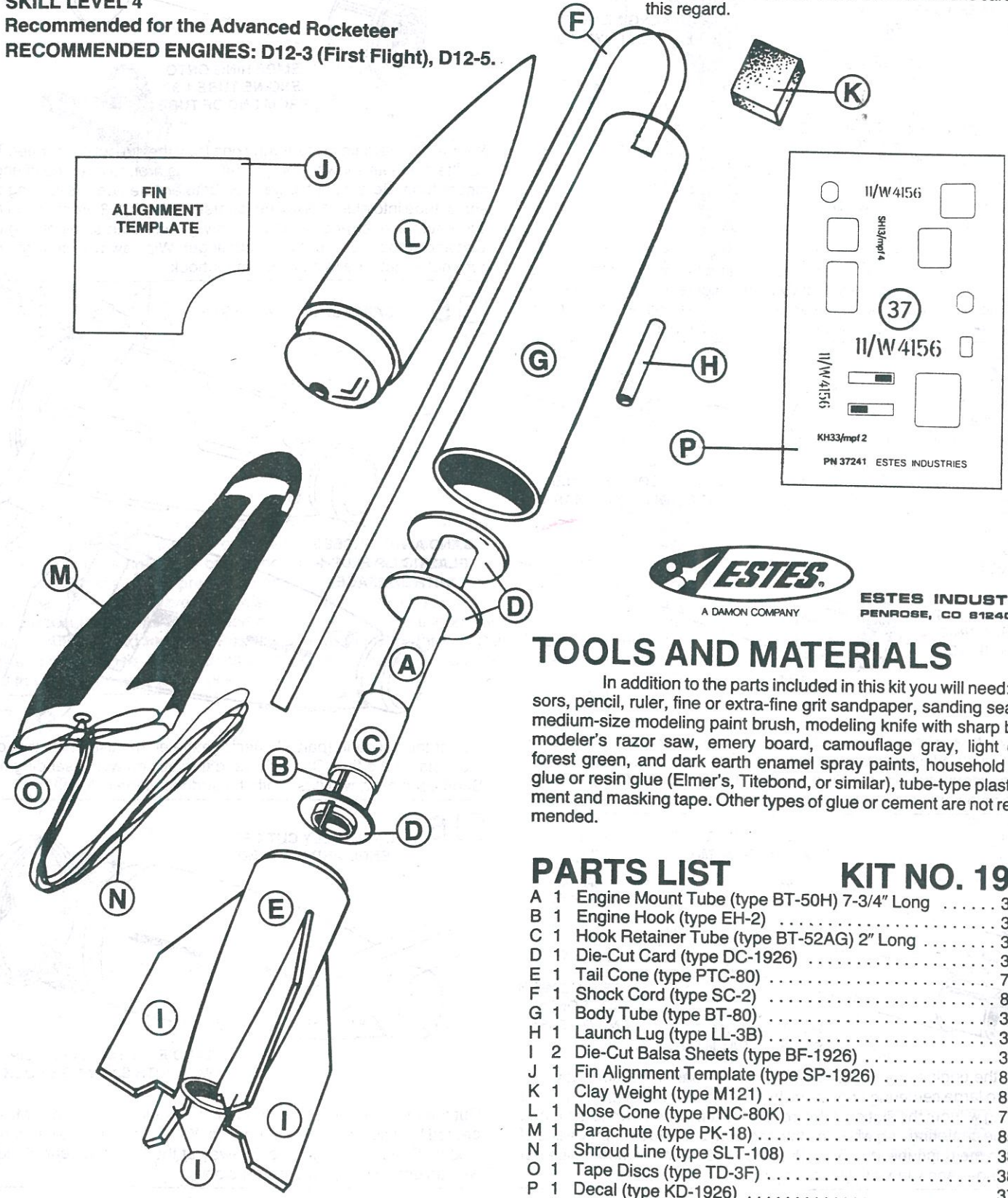
## BEFORE YOU START

Read each step and study the accompanying drawings before doing any of the work called for in that step. Make sure you have all parts and materials. Check off each step as you complete it. Always test-fit parts together before applying glue. It will sometimes be necessary to sand edges of rings, tubes, etc. to obtain proper fit. If you are in doubt about the relative size or location of some parts, refer back to this exploded view drawing for clarification. Adequate glue joints are very important for a flying model rocket. Follow the instructions carefully in this regard.

**SKILL LEVEL 4**

Recommended for the Advanced Rocketeer

RECOMMENDED ENGINES: D12-3 (First Flight), D12-5.



**ESTES INDUSTRIES**  
PENROSE, CO 81240 USA

## TOOLS AND MATERIALS

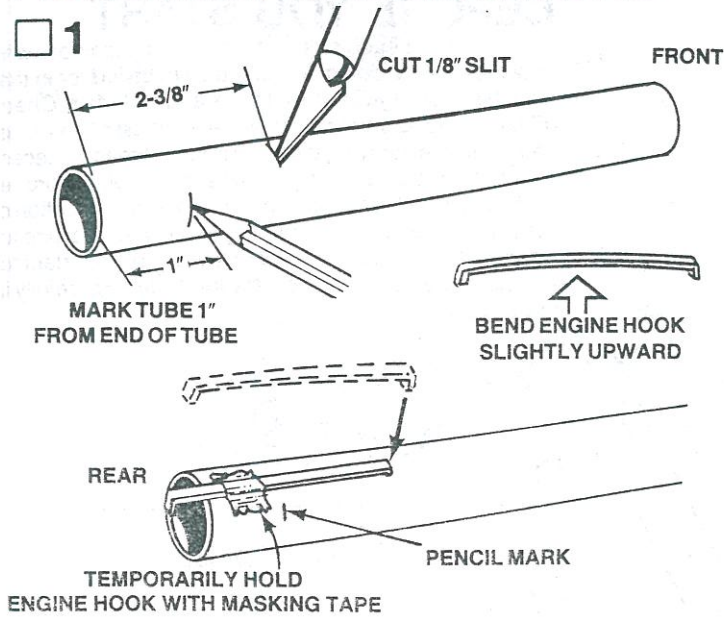
In addition to the parts included in this kit you will need: Scissors, pencil, ruler, fine or extra-fine grit sandpaper, sanding sealer, a medium-size modeling paint brush, modeling knife with sharp blade, modeler's razor saw, emery board, camouflage gray, light earth, forest green, and dark earth enamel spray paints, household white glue or resin glue (Elmer's, Titebond, or similar), tube-type plastic cement and masking tape. Other types of glue or cement are not recommended.

## PARTS LIST KIT NO. 1926

A	1	Engine Mount Tube (type BT-50H) 7-3/4" Long	30360
B	1	Engine Hook (type EH-2)	35025
C	1	Hook Retainer Tube (type BT-52AG) 2" Long	30378
D	1	Die-Cut Card (type DC-1926)	32441
E	1	Tail Cone (type PTC-80)	71033
F	1	Shock Cord (type SC-2)	85736
G	1	Body Tube (type BT-80)	30432
H	1	Launch Lug (type LL-3B)	38166
I	2	Die-Cut Balsa Sheets (type BF-1926)	32626
J	1	Fin Alignment Template (type SP-1926)	83698
K	1	Clay Weight (type M121)	85264
L	1	Nose Cone (type PNC-80K)	71035
M	1	Parachute (type PK-18)	85566
N	1	Shroud Line (type SLT-108)	38239
O	1	Tape Discs (type TD-3F)	38406
P	1	Decal (type KD-1926)	37241

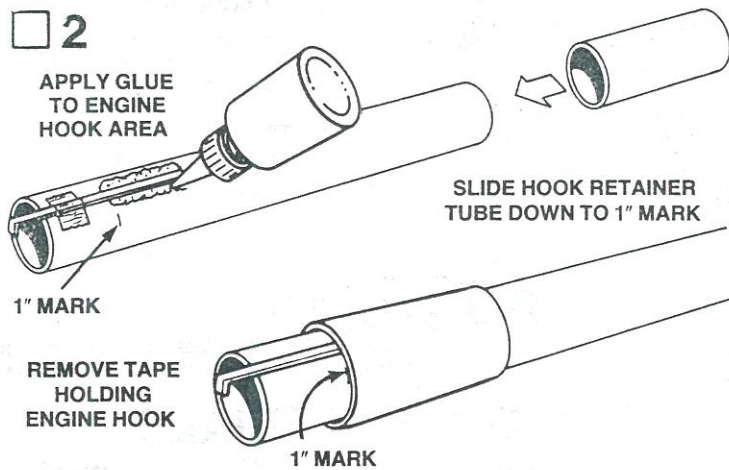
# ASSEMBLY INSTRUCTIONS

**1**



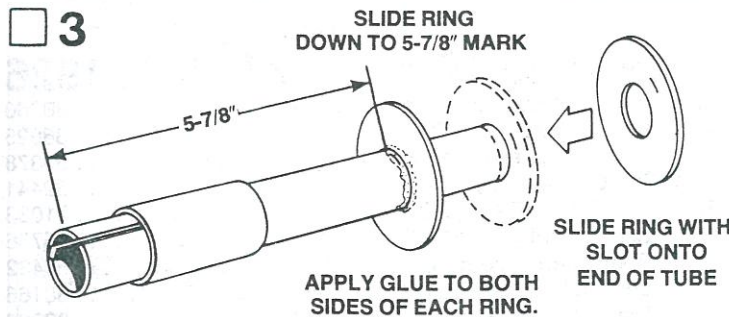
Mark the engine mount tube (part A) at 1" and 2-3/8" from one end. Cut a 1/8" long slit at the 2-3/8" mark. Gently bend the engine hook (part B) so that it bows upward very slightly in the middle. (Study the drawing. Don't bend the wrong way.) Insert one end of the engine hook into the slit in the tube. Temporarily tape engine hook in place.

**2**



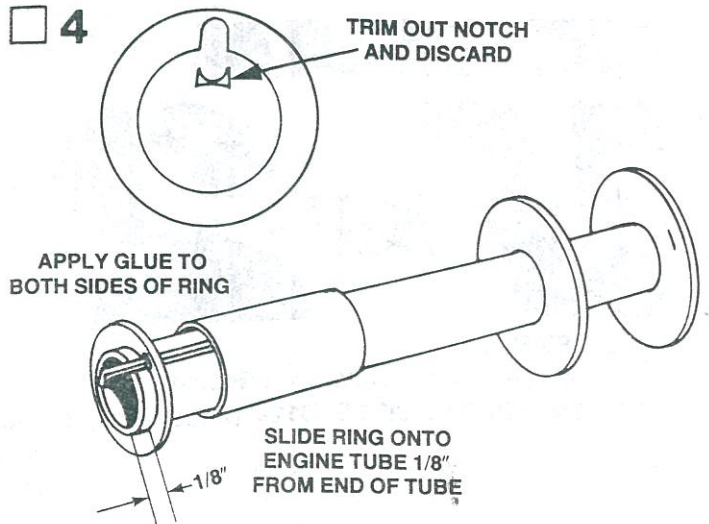
Apply a heavy line of glue on the engine hook rearward from the slit to the 1" mark. Slip hook retainer tube (part C) down onto forward end of engine mount tube and slide it back over engine hook to the 1" mark. Wipe away any excess glue and remove tape from engine hook.

**3**



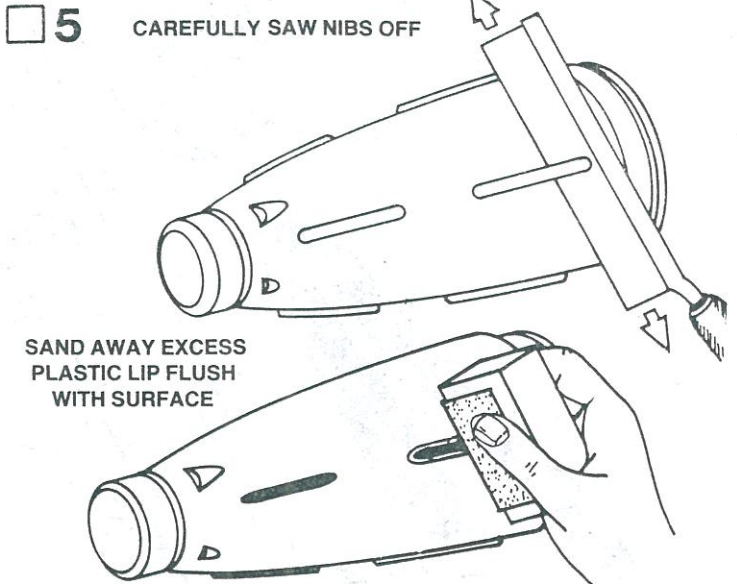
Mark the engine mount tube 5-7/8" from the rear of the tube. Remove the two large centering rings from the die-cut card sheet (part D). Slide the ring without the slot over the front of the tube and down to the mark. Slip the centering ring with slot onto the front of the tube. Apply a line of glue to the ring/tube joint on both sides of each ring. Smooth glue out with finger and wipe away excess glue.

**4**



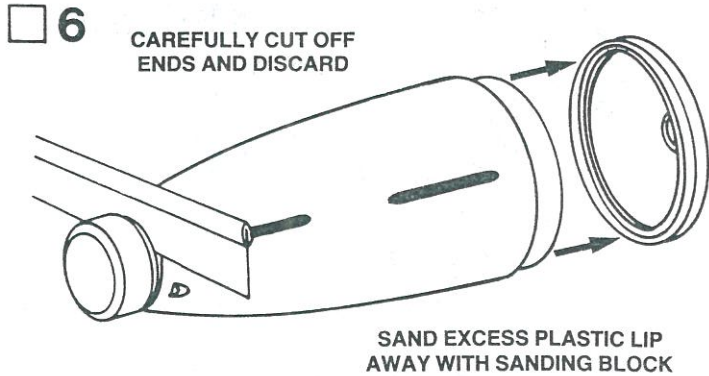
Remove the remaining centering ring from the die-cut card sheet. Trim out the notch as shown. Apply a line of glue around rear end of engine mount tube. Be sure not to get glue onto engine hook. Slide ring over end of tube into glue. Make sure centering ring is 1/8" from end of tube and notch is over engine hook. Apply glue to both sides of ring/tube joint and smooth glue out with your finger. Wipe away excess glue. Be sure not to get glue in notch or under hook.

**5**



Select the tail cone (part E). Remove the eight raised nibs that cover the slots for the fins. Carefully sand the nibs off with a sanding block. Sand each nib down flush with the surface of the tailcone.

**6**



Cut the ends from the tail cone with a modeler's razor saw. Make repeated light cuts around the grooves. Work slowly to avoid tearing the plastic. Sand excess plastic lip away at the front and rear of the part with an emery board or sanding block.