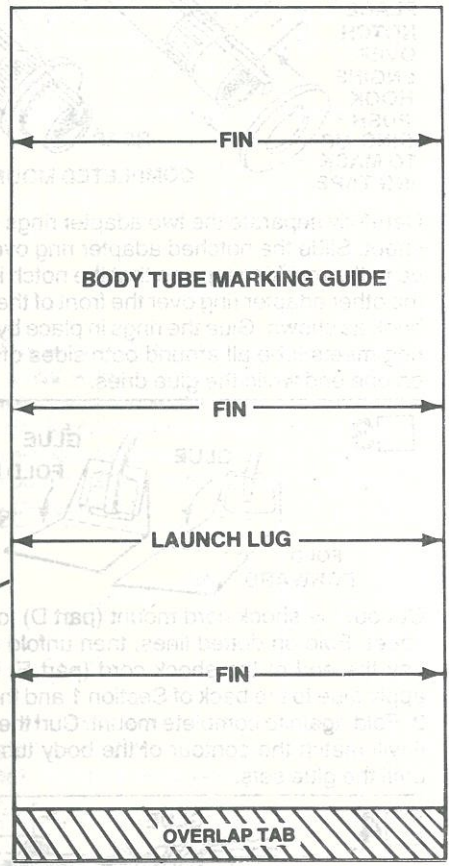
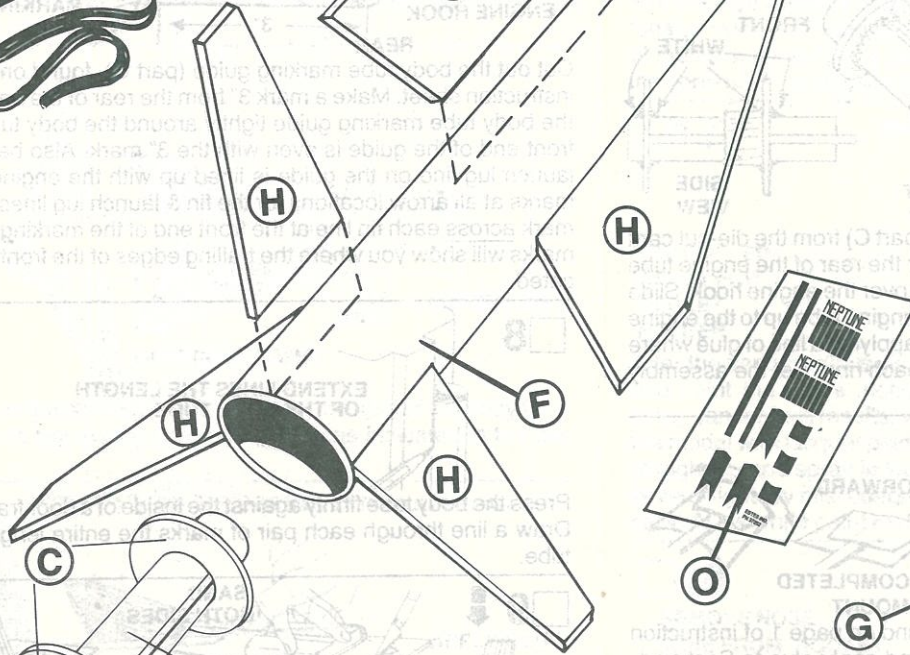
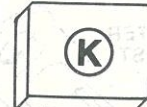
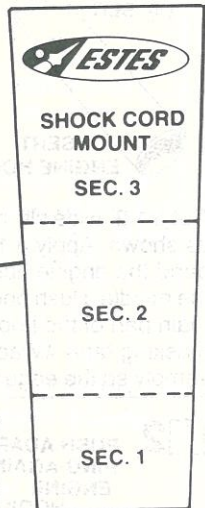
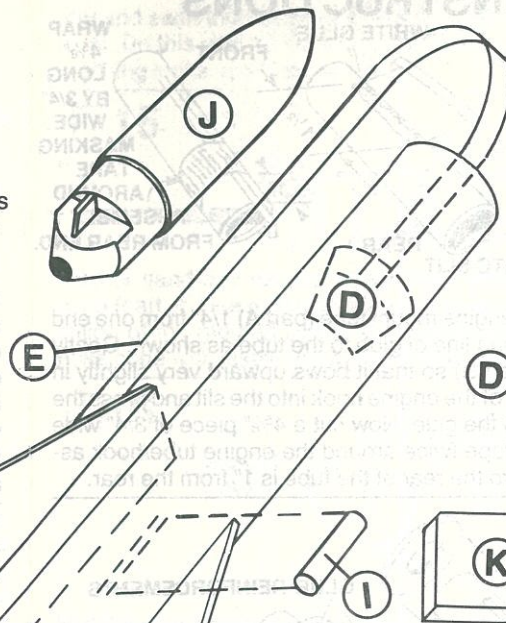
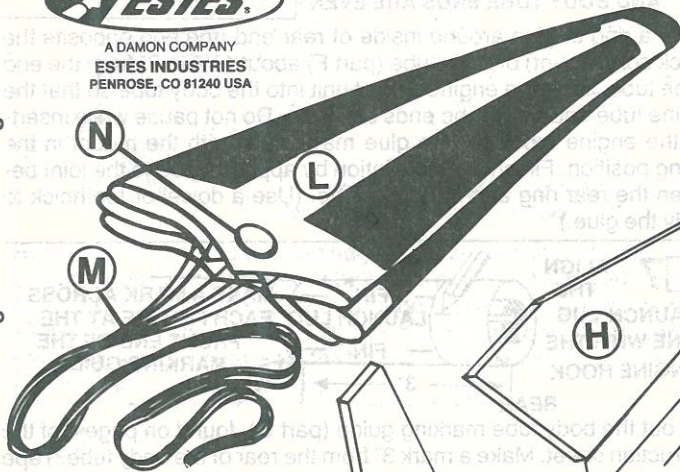


NEPTUNE

SKILL LEVEL 2 - Recommended for Intermediate Rocketeers



A DAMON COMPANY
ESTES INDUSTRIES
PENROSE, CO 81240 USA



RECOMMENDED ENGINES
A8-3 (1st Flt.), B6-4, B6-6,
B8-5, C6-5, C6-7

(B) BEFORE YOU START

Read each step and study the accompanying drawings before doing any of the work called for in that step. Make sure you have all parts and materials. Check off each step as you complete it. Always test-fit parts together before applying glue. It will sometimes be necessary to sand edges of rings, tubes, etc. to obtain a proper fit. If you are in doubt about the relative size or location of some parts, refer back to this exploded view drawing for clarification. Adequate glue joints are very important for a flying model rocket. Follow the instructions carefully in this regard.

TOOLS AND MATERIALS

In addition to the parts included in this kit you will need: Scissors, household white glue (Elmer's, Titebond, or similar), pencil, ruler, fine or extra-fine grit sandpaper, sanding sealer, a medium-size modeling paint brush, modeling knife with sharp blade. Gloss white, Stormy Sea (flat), gloss orange spray enamels and Dull-Cote Spray.

For easy and positive alignment of the rear fins on your model, we recommend the use of Estes' Fin Alignment Guide, Part No. 2231.

PARTS LIST KIT NO. 1935

A	1	Engine Mount Tube (BT-20J)	30326
B	1	Engine Hook (EH-2)	35025
C	1	Adapter Ring Set (TA-1327)	30090
D	1	Shock Cord Mount	on page 1 of inst.
E	1	Shock Cord (SC-1B)	85734
F	1	Body Tube (BT-55C)	30383
G	1	Body Tube Marking Guide	on page 1 of inst.
H	1	Die-Cut Balsa Fin Sheet (BF-1935)	32635
I	1	Launch Lug (LL-2A)	38175
J	1	Plastic Nose Cone (PNC-55EX)	71031
K	1	Clay Balance Weight (6 gram)	85260
L	1	Parachute (PK-12A)	85564
M	1	Shroud Line (SLT-72)	38237
N	1	Tape Discs Set (TD-3F)	38406
O	1	Decal (KD-1935)	37252