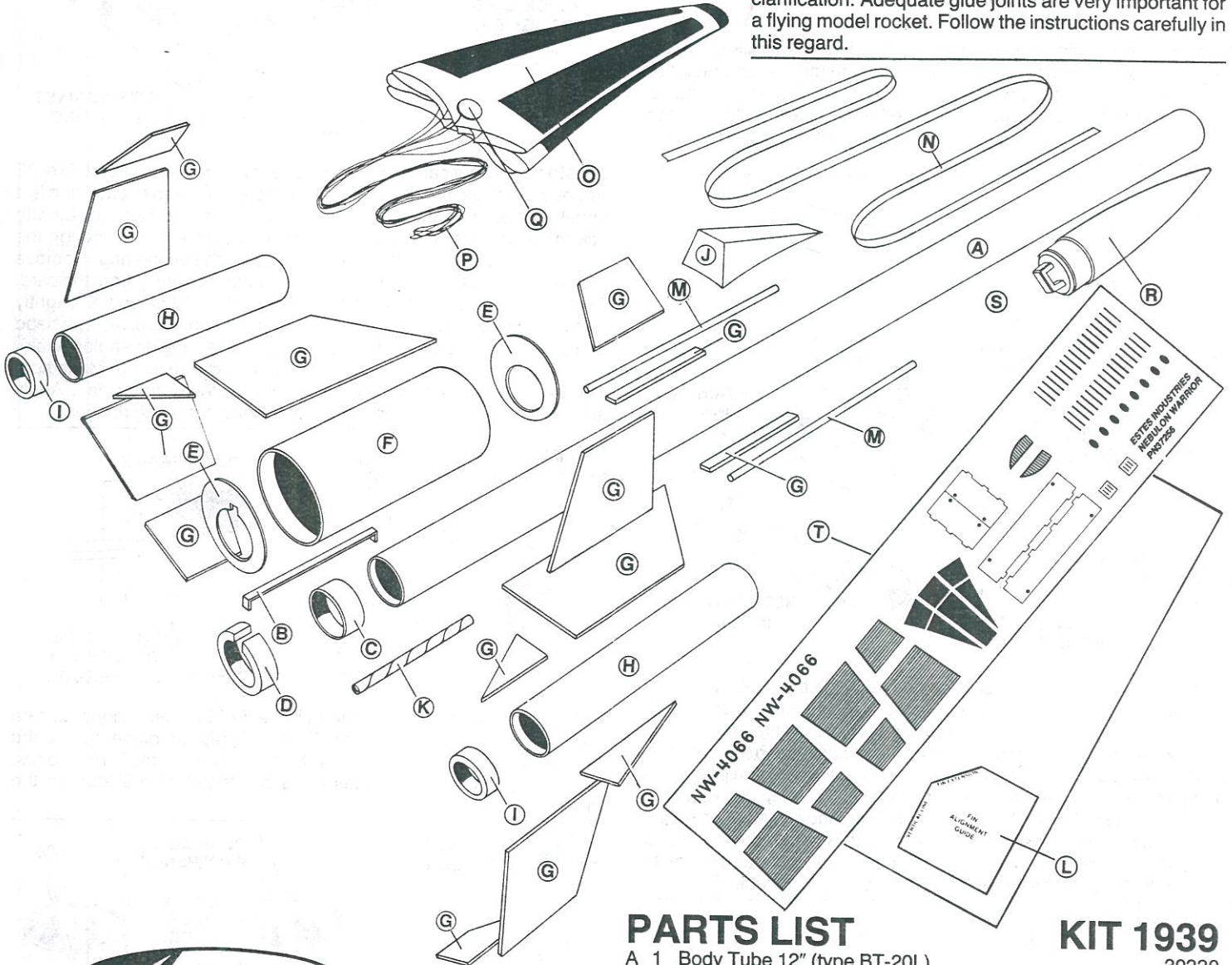


NEBULON WARRIOR

SKILL LEVEL 3 - Recommended for Advanced Rocketeers

BEFORE YOU START

Read each step and study the accompanying drawings before doing any of the work called for in that step. Make sure you have all parts and materials. Check off each step as you complete it. Always test-fit parts together before applying glue. It will sometimes be necessary to sand edges of rings, tubes, etc. to obtain proper fit. If you are in doubt about the relative size or location of some parts, refer back to this exploded view drawing for clarification. Adequate glue joints are very important for a flying model rocket. Follow the instructions carefully in this regard.



A DAMON COMPANY

ESTES INDUSTRIES
PENROSE, CO 81240 USA

RECOMMENDED ENGINES

A8-3, B4-4 (1st flight), B6-4, B8-5, or C6-5

TOOLS AND MATERIALS

In addition to the parts included in this kit you will need: Scissors, tweezers, pencil, ruler, fine or extra-fine grit sandpaper, sanding sealer, a medium-size modeling paint brush, modeling knife with sharp blade, Pactra rebel gray spray paint, plastic model cement and household white glue or resin glue (Elmer's, Titebond, or similar). Other types of glue are not recommended.

PARTS LIST

KIT 1939

A	1	Body Tube 12" (type BT-20L)	30330
B	1	Engine Hook (type EH-2)	35025
C	1	Retainer Ring (type HR-20)	30168
D	1	Split Centering Ring (type AR-2050S)	80425
E	1	Die-Cut Card (type RA-1366)	32470
F	1	Body Tube 2 3/4" (type BT-55J)	30386
G	1	Balsa Die-Cut (type BF-1939)	32639
H	2	Body Tube 4" (type BT-20DJ)	30332
I	2	Centering Ring (type AR-520)	30162
J	1	Printed Cockpit	83345
K	1	Launch Lug (type LL-2B)	38178
L	1	Alignment Guide (back of kit panel)	83746
M	1	Dowel 1/12 x 6"	85912
N	1	Shock Cord (type SC-1)	85730
O	1	Parachute (type PK-12A)	85564
P	1	Shroud Line (type SLT-72)	38237
Q	1	Tape Discs (type TD-3F)	38406
R	1	Nose Cone (type PNC-20A)	72602
S	1	Nose Cone Base (type PIN-20A)	72603
T	1	Decal (type KD-1939)	37256