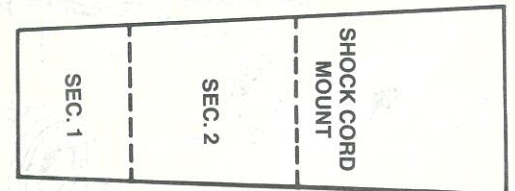
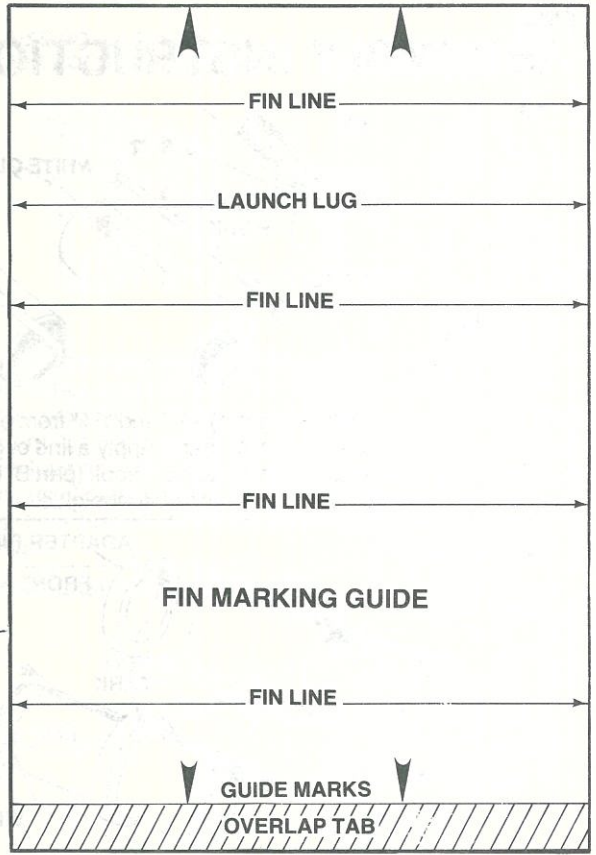
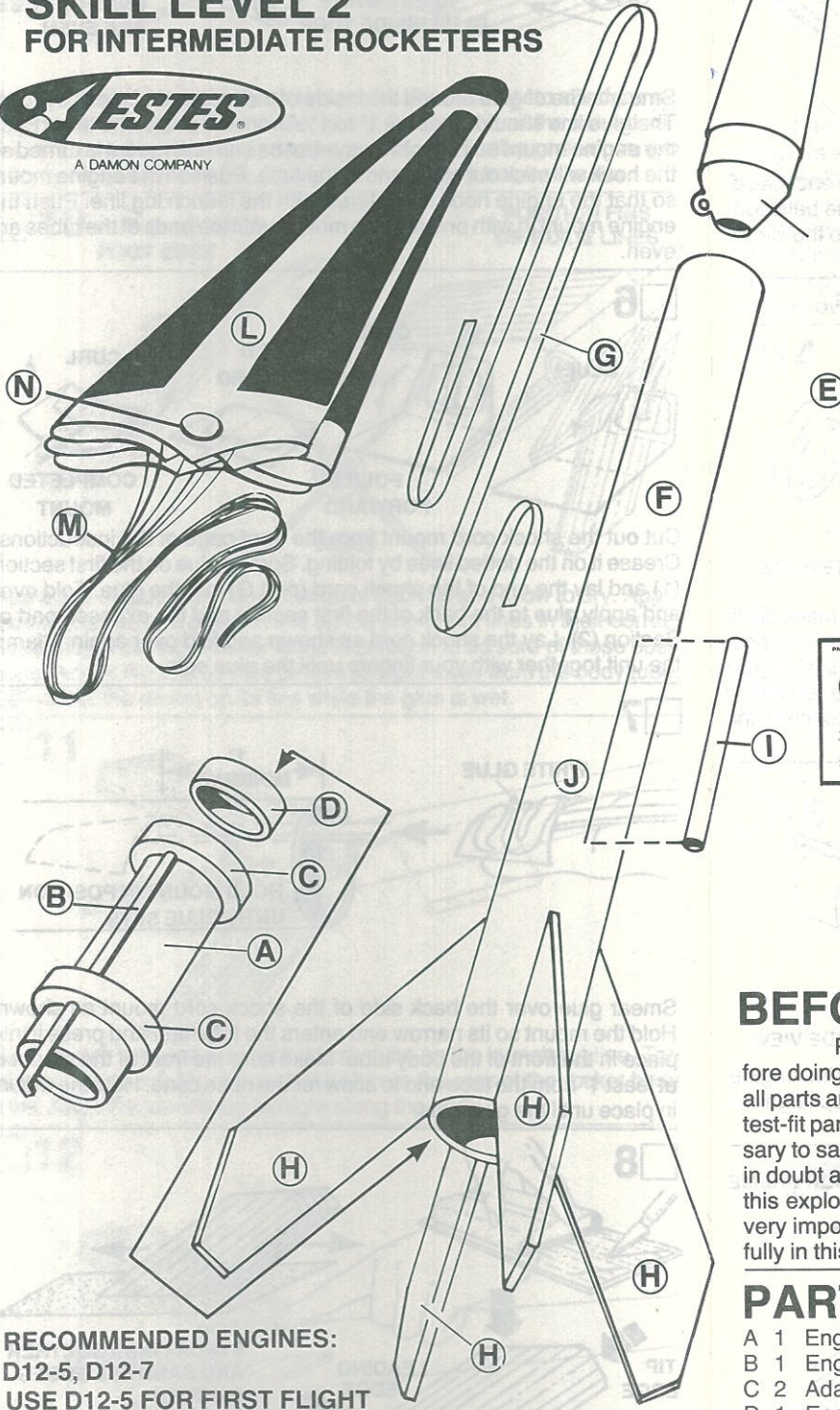


Magician

**SKILL LEVEL 2
FOR INTERMEDIATE ROCKETEERS**



RECOMMENDED ENGINES:
D12-5, D12-7
USE D12-5 FOR FIRST FLIGHT

TOOLS AND MATERIALS

In addition to the parts included in this kit you will need: Scissors, pencil, ruler, fine or extra-fine grit sandpaper, sanding sealer, a medium-size modeling paint brush, masking tape, modeling knife with sharp blade, gloss black, and gloss white enamel spray paints, and household white glue or resin glue (Elmer's, Titebond, or similar). Other types of glue are not recommended.

For easy and positive alignment of the fins on your model, we recommend the use of Estes' Fin Alignment Guide, Part No. 2231.

BEFORE YOU START

Read each step and study the accompanying drawings before doing any of the work called for in that step. Make sure you have all parts and materials. Check off each step as you complete it. Always test-fit parts together before applying glue. It will sometimes be necessary to sand edges of rings, tubes, etc. to obtain a proper fit. If you are in doubt about the relative size or location of some parts, refer back to this exploded view drawing for clarification. Adequate glue joints are very important for a flying model rocket. Follow the instructions carefully in this regard.

PARTS LIST KIT NO. 1943

A	1	Engine Mount Tube (type BT-50J)	30362
B	1	Engine Hook (type EH-2)	35025
C	2	Adapter Rings (type AR-5055)	30166
D	1	Engine Block (type AR-2050)	30164
E	1	Fin Marking Guide	83761
F	1	Body Tube (type BT-55IJ)	30384
G	1	Shock Cord (type SC-1)	85730
H	1	Die-Cut Balsa Sheet (type BF-1943)	32643
I	1	Launch Lug (type LL-2B)	38178
J	1	Plastic Nose Cone (type PNC-55AO)	71075
K	1	Decal Sheet (type KD-1943)	37260
L	1	12" Parachute (type PK-12A)	85564
M	1	Shroud Line (type SLT-72)	38237
N	1	Tape Disc (type TD-3F)	38406