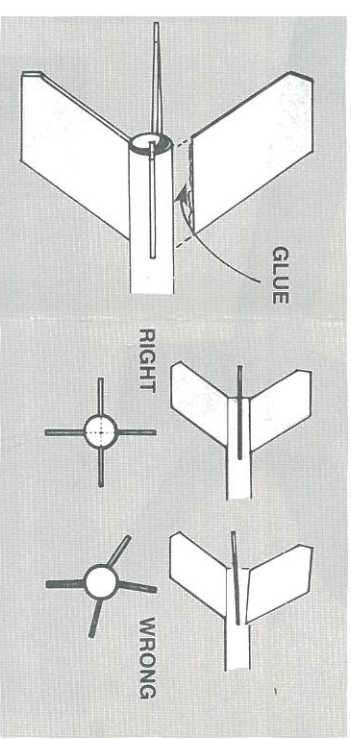
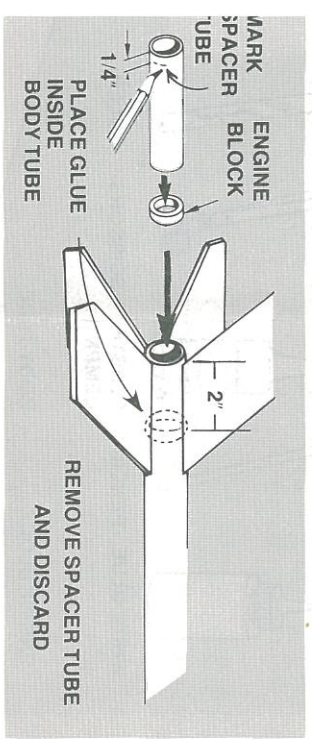


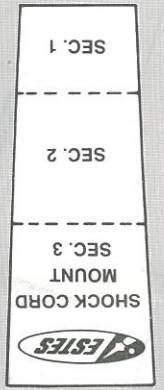
DOOR FRAME
EXTEND MARKS
WITH PENCIL LINE



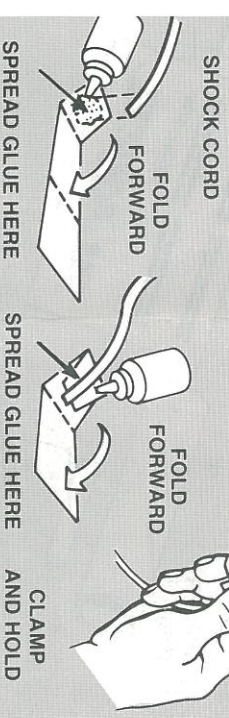
GLUE
RIGHT
WRONG



MARK
SPACER
TUBE
ENGINE
BLOCK
1/4"
PLACE GLUE
INSIDE
BODY TUBE
2"
REMOVE SPACER TUBE
AND DISCARD



SHOCK CORD MOUNT
CUT OUT HERE



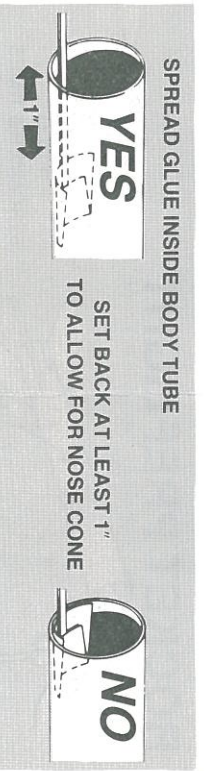
SHOCK CORD
FOLD FORWARD
SPREAD GLUE HERE
FOLD FORWARD
SPREAD GLUE HERE
CLAMP AND HOLD

- 7 A. Apply glue to inside front of body tube to cover an area no less than 1 inch to 2 inches from end.
- B. The glued area should be same size as shock cord mount.
- C. Press mount firmly into glue as shown. Hold until glue sets.

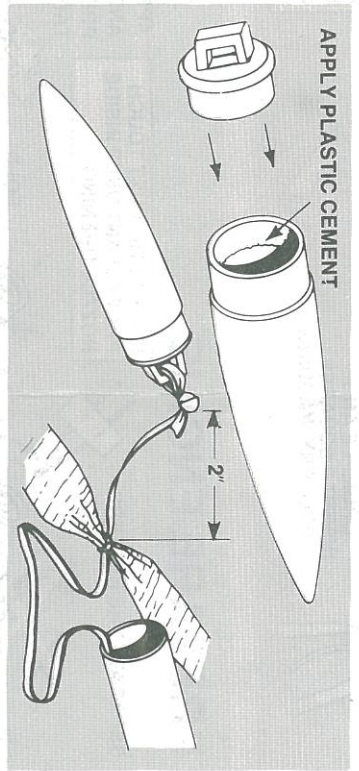
- 8 A. Assemble nose cone and nose cone insert with plastic cement.
- B. When dry, tie free end of shock cord to nose loop with double knot.
- C. Using a double knot, tie the shock cord around middle of plastic streamer about 2 inches from end of shock cord.

- 9 A. Run a line of glue along one side of the launch lug, and place the lug against any one of the body tube/fin joints.
- B. Smooth out the excess glue.
- C. Now run a small line of glue along both sides of each body tube/fin joint.
- D. Smooth out the excess glue with your fingertips. Allow to dry.

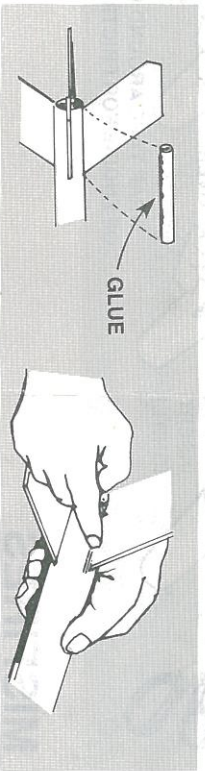
- 10 To apply decals, cut each out, dip in lukewarm water for 20 seconds and hold until it uncurls. Refer to photograph on front page and/or on front of panel for decal placement. Slip decal off backing sheet and onto model. Blot away excess water. For best results, let decals dry overnight and apply a coat of clear spray paint to protect decals.



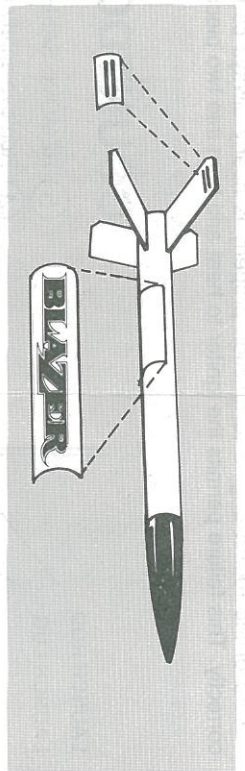
SPREAD GLUE INSIDE BODY TUBE
YES
SET BACK AT LEAST 1"
TO ALLOW FOR NOSE CONE
NO



APPLY PLASTIC CEMENT



GLUE



FLYING YOUR ROCKET LAUNCH SUPPLIES

Choose a large field away from power lines, tall trees, and low flying aircraft. Try to find a field at least 250 feet square. The larger the launch area, the better your chance of recovering your rocket. Football fields and playgrounds are great.

Launch area must be free of dry weeds and brown grass. Launch only during calm weather with little or no wind and good visibility.

To launch your rocket you will need the following items:

- An Estes model rocket launching system
- Estes Parachute Recovery Wadding (No. 2274)
- Recommended Engines: A8-3, A8-5, B4-4, B6-4, B8-5, C6-5, or C6-7
- Use an A8-3 engine for your first flight to become familiar with your rocket's flight pattern.
- Be sure to follow the HIA-NAR* Model Rocketry Safety Code when carrying out your model rocket activities.

*National Association of Rocketry and Hobby Industry Association