



ESTES INDUSTRIES (11-97) 84479
1295 H Street
Penrose, CO 81240 EST 2149

EXPLORER™
SERIES

SKILL LEVEL 2
© Copyright 1997 Centuri Corp.
All rights reserved.

SM-3 SEAHAWK™

FLYING MODEL ROCKET KIT INSTRUCTIONS

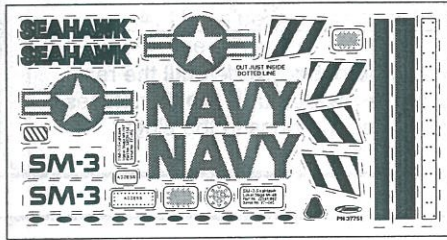
MATERIALS REQUIRED:

PENCIL, RULER, HOBBY KNIFE, SCISSORS, WHITE OR YELLOW GLUE, TUBE-TYPE PLASTIC CEMENT, MASKING TAPE, 320 GRIT SANDPAPER, MAXI™ ROD, AUTOMOTIVE SPRAY PRIMER (GRAY), GLOSS WHITE SPRAY PAINT, GLOSS BLUE SPRAY PAINT, PAPER TOWEL

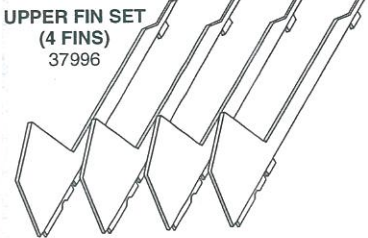
ALL GLUED AREAS ARE SHADED IN GRAY

BE SURE TO READ ALL INSTRUCTIONS, TEST FIT ALL PARTS, AND SAND IF NECESSARY BEFORE GLUING.

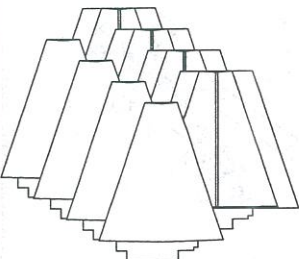
PARTS LAYOUT



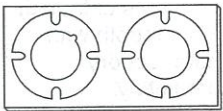
DECAL SHEET
37337



UPPER FIN SET
(4 FINS)
37996



LOWER FIN SET (8 HALVES)
37995



CENTERING RINGS
RA50/1835 (1 CARD)
32432

STIFFENER
TUBE (1)
31228



LAUNCH LUGS
12CF (2)
38166

SLOTTED LOWER
TUBE 1835 (1)
31181

UPPERTUBE
(4.3") BT55 (1)
30391

RED TUBE
COUPLER 55C (1)
30175-5

GREEN ADAPTER
RINGS 5055 (3)
30166-2

ADAPTER TUBE
50J (1)
30362

PLASTIC TUBE
ADAPTER 2083 (1)
72705

BROWN ENGINE
MOUNT TUBE
BT 50H (1)
30360

ENGINE HOOK
EH-2A (1)
35021

GREEN ENGINE
BLOCK RING (1)
30164-2

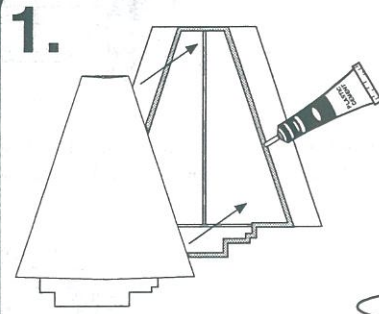
YELLOW ENGINE
SPACER TUBE (1)
35003

SHOCK CORDS 1/4 X 24 (2)
38383

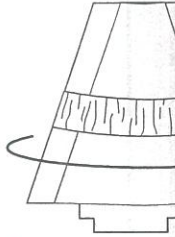
ASSEMBLED
PARACHUTES - 18 (2)
35802

NOSE CONE
55AC (1)
71070

LOWER SECTION ASSEMBLY

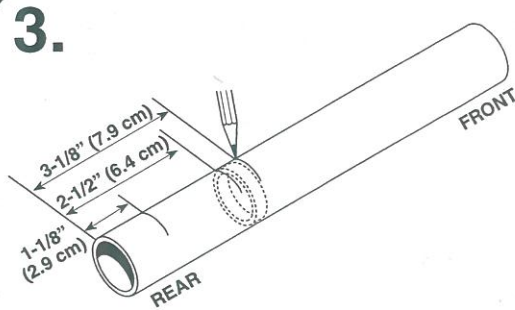


1.
A. Using plastic cement, assemble lower fin halves to make four equal size fins.

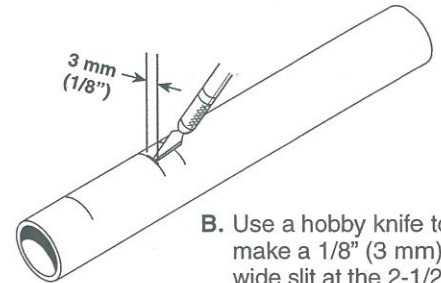


B. Tape fins together and let dry.

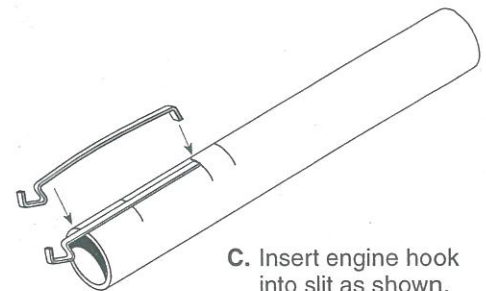
C. Once dry, remove tape and trim away plastic (flash).



3.
A. Measure and mark the engine mount tube at 1-1/8" (2.9 cm), 2-1/2" (6.4 cm) and at 3-1/8" (7.9 cm) from the REAR (be sure to note position of engine block ring).



B. Use a hobby knife to make a 1/8" (3 mm) wide slit at the 2-1/2" (6.4 cm) mark ONLY!



C. Insert engine hook into slit as shown.

2.

3/16" (5 mm)

A. Mark yellow engine spacer tube at 3/16" (5 mm) from one end.

B. Place a thin layer of glue about 2" (5 cm) inside the engine mount tube (brown).

YELLOW ENGINE SPACER TUBE

GREEN ENGINE BLOCK RING

INSERT UP TO MARK ON SPACER TUBE

E. REMOVE YELLOW SPACER TUBE IMMEDIATELY!

C. Insert the green engine block ring into same end of engine mount tube.

D. Push the green engine block ring into engine mount tube with the engine spacer tube up to the 3/16" (5 mm) mark as shown.

4.

A. Use a hobby knife to carefully remove the centering rings from their card.

B. Slide one of the green adapter rings part way down the tube, apply a band of glue just above the 1-1/8" (2.9 cm) mark, and slide the ring down through the glue to the mark.

MARK

SIDE VIEW

1-1/8" (2.9 cm)

NOTCH

C. Slide centering ring with engine hook notch over rear of tube until it fully contacts the adapter ring. BE SURE THE NOTCH FITS OVER ENGINE HOOK! **NOTE:** You may need to sand the rings for a good fit.

D. Slide other centering ring over front of tube, apply a band of glue just in front of the 3-1/8" (7.9 cm) mark, and slide the ring down over the mark.

SIDE VIEW

3-1/8" (7.9 cm)

BEFORE GLUE DRIES, temporarily insert a fin tab between notches and turn ring until notches align. **DO NOT GLUE FIN AT THIS TIME!**

SIDE VIEW

E. Once notches align, remove fin and apply a ring of glue around the outer ring/tube joints as shown. Smooth with finger.

SIDE VIEW

F. Set assembly aside to dry completely.