



ESTES INDUSTRIES
1295 H Street
Penrose, CO 81240

SUPER NOVA PAYLOADER™

Flying Model Rocket Kit Instructions

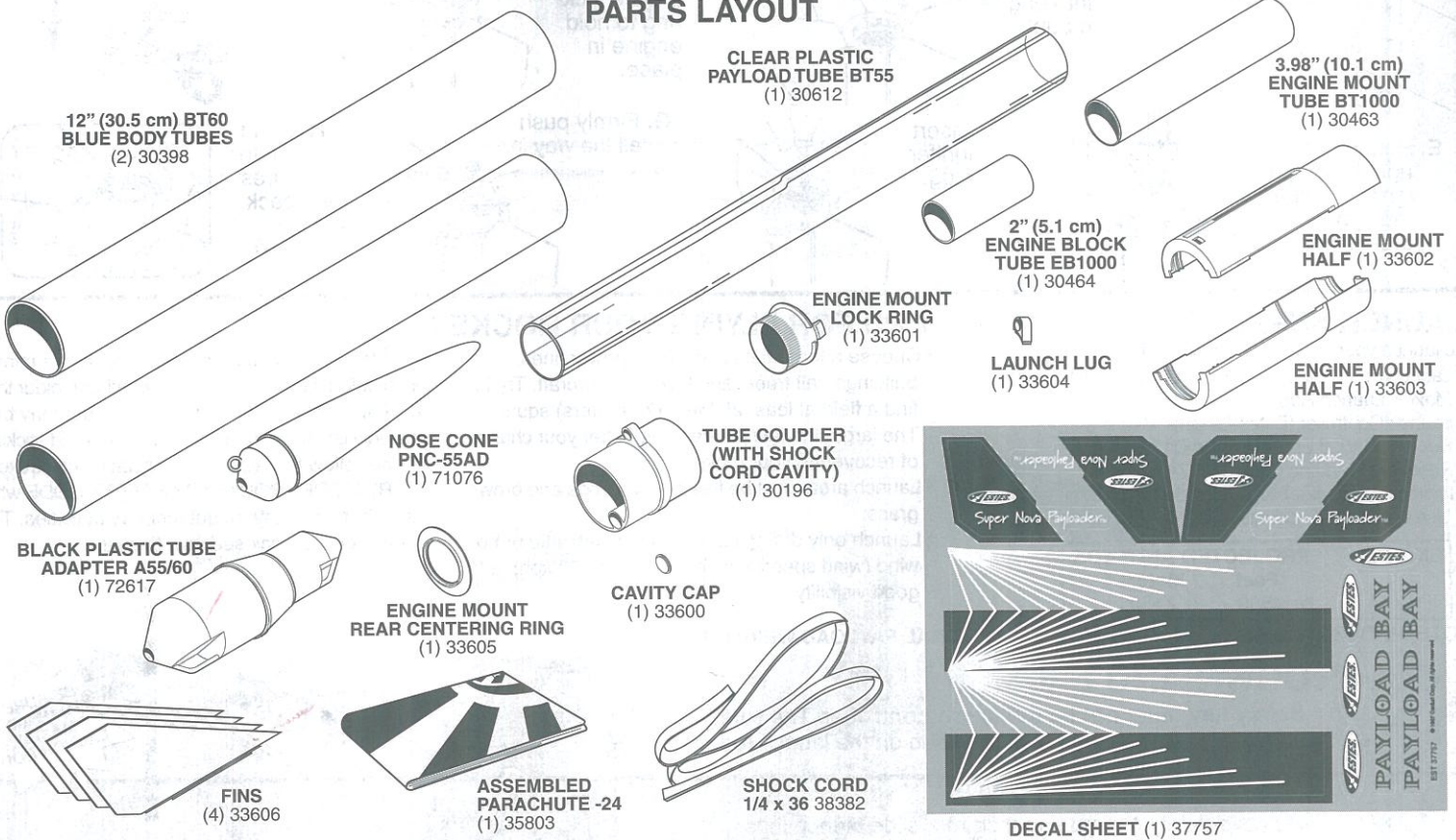
MATERIALS REQUIRED: TUBE-TYPE PLASTIC CEMENT, HOBBY KNIFE, WHITE OR YELLOW GLUE, MASKING TAPE, SANDPAPER, PAPER TOWEL

EXPLORER
SERIES
Skill Level 2

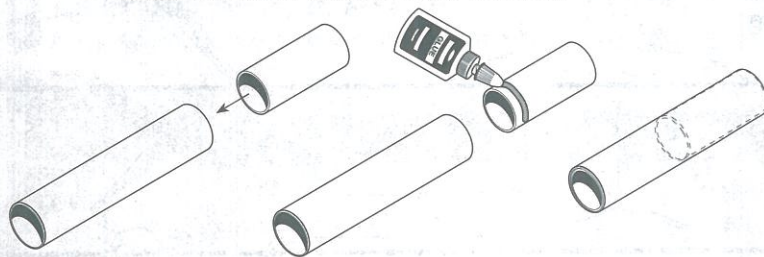
ALL GLUED AREAS ARE SHADED IN GRAY
Be sure to read all instructions, test fit all parts, and sand if necessary before gluing.

EST 2155 (4-98) 82219

PARTS LAYOUT

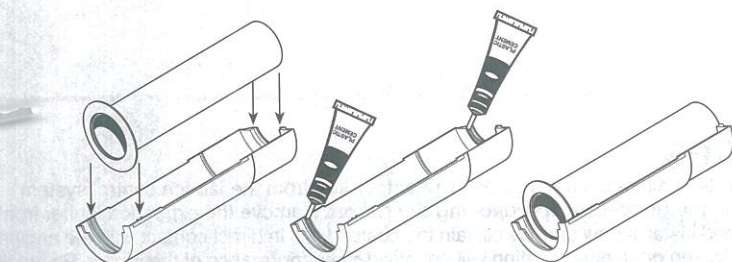


- 1. A.** Test fit the engine block tube into the white engine mount tube. Remove and sand as necessary, then apply a small amount of white or yellow glue around the outside of the engine block tube and reinsert it into the tube until ends are even.



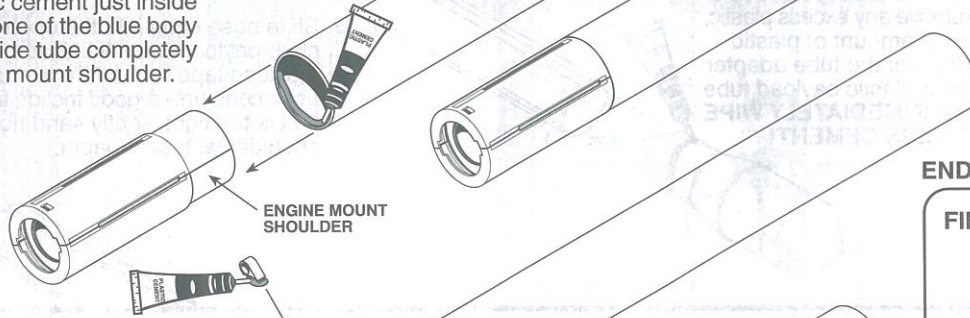
- B.** Test fit the shoulder of the centering ring onto the end of the engine mount tube opposite the engine block. Remove ring, apply a small amount of plastic cement around the outside of the tube, and reapply ring. Let dry.

- 2. A.** Test fit the engine mount tube into one of the engine mount halves. Remove tube, apply plastic cement to the ring and tube bays, and reinsert engine mount tube. **BE SURE TO PRESS RING ALL THE WAY INTO ITS BAY!**

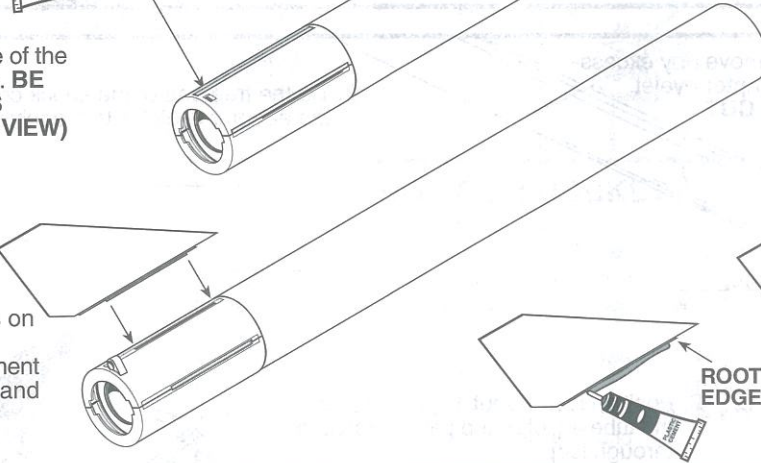


- B.** Test fit the other engine mount half to the assembly. Sand as necessary until halves fit together perfectly, then apply plastic cement to areas shown and press halves together until cement sets.

- 3.** A. Apply plastic cement just inside one end of one of the blue body tubes and slide tube completely over engine mount shoulder.

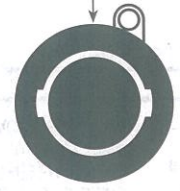


- B. Apply plastic cement to the base of the launch lug and insert as shown. **BE SURE LAUNCH LUG SLANTS TOWARD FIN SLOT! (SEE END VIEW)**

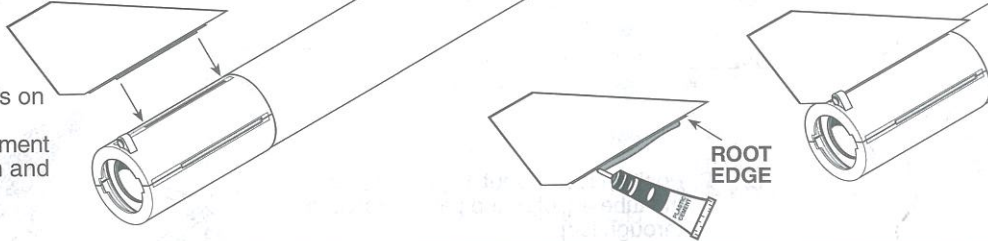


END VIEW

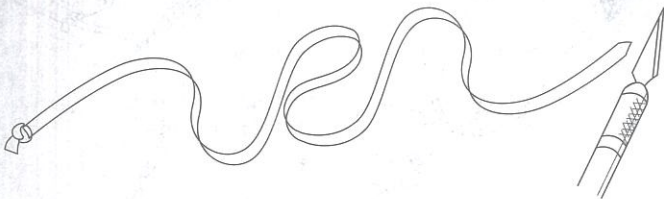
FIN SLOT



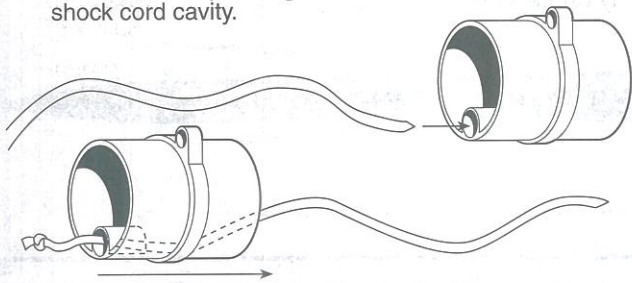
- C. Test fit each fin into the fin slots on the engine mount tube. When satisfied with fit, apply plastic cement along the root edge of each fin and reinsert. **BE SURE FINS ARE STRAIGHT!**



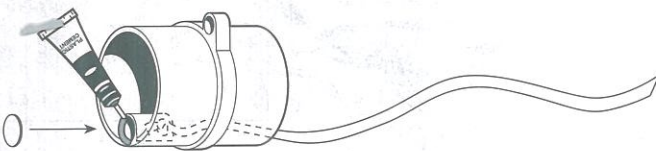
- 4.** A. Tie a double knot in one end of the shock cord and trim the free end to a point as shown.



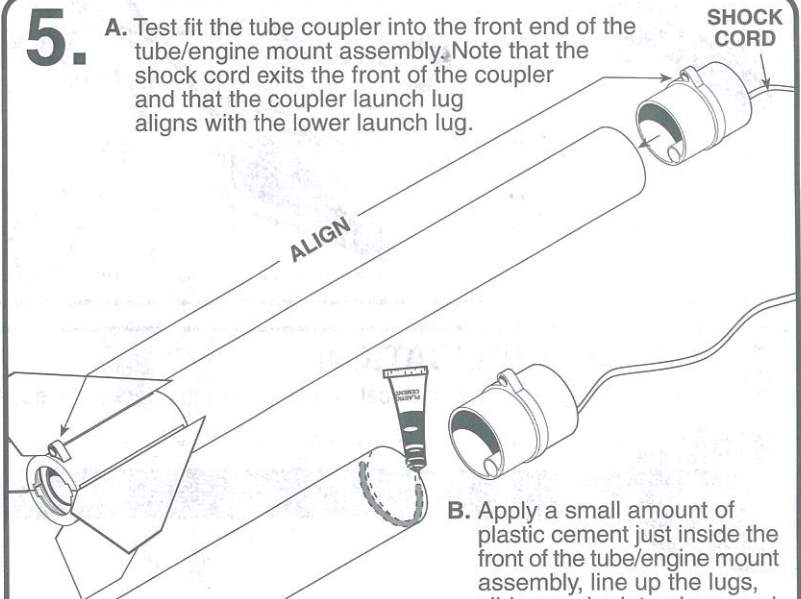
- B. Feed the free end of the shock cord through the rear of the tube coupler ring until the knot sits inside the shock cord cavity.



- C. Carefully apply a small amount of plastic cement around the rear outside edge of the cavity and fit the cavity cap into place. **DO NOT GET PLASTIC CEMENT ON THE SHOCK CORD!** Let dry.



- 5.** A. Test fit the tube coupler into the front end of the tube/engine mount assembly. Note that the shock cord exits the front of the coupler and that the coupler launch lug aligns with the lower launch lug.



- B. Apply a small amount of plastic cement just inside the front of the tube/engine mount assembly, line up the lugs, slide coupler into place, and **IMMEDIATELY CHECK LUG ALIGNMENT.** Let dry.

- C. Feed the shock cord through the other blue body tube, apply plastic cement just inside the rear end of the tube, and slide tube onto coupler. **BE CAREFUL NOT TO GET PLASTIC CEMENT ON SHOCK CORD!** Let dry.

